

This Owner's Manual is provided and hosted by [Appliance Factory Parts](http://www.appliancefactoryparts.com).

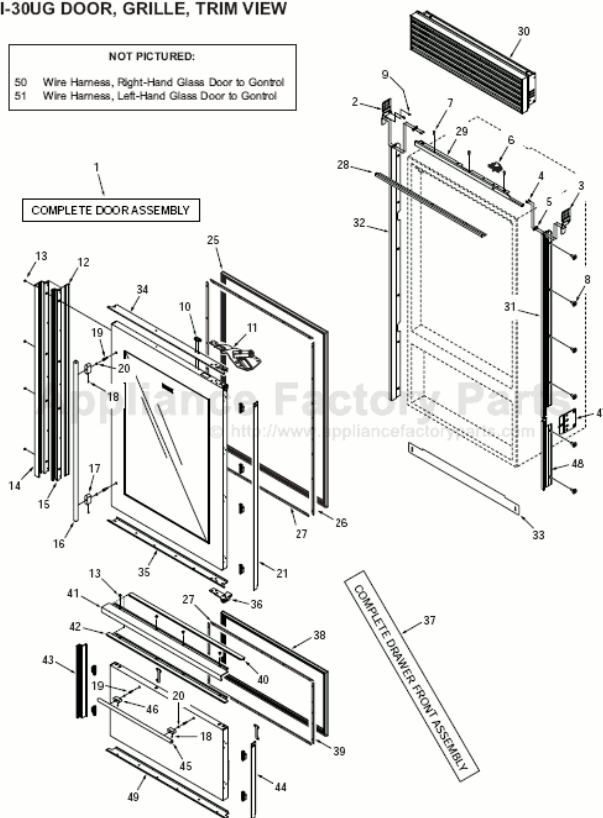


# SUBZERO BI-30UG Owner's Manual

[Shop genuine replacement parts for SUBZERO  
BI-30UG](#)

BI-30UG DOOR, GRILLE, TRIM VIEW

NOT PICTURED:  
50 Wire Harness, Right-Hand Glass Door to Control  
51 Wire Harness, Left-Hand Glass Door to Control



[Find Your SUBZERO Refrigerator Parts - Select From 117 Models](#)

----- Manual continues below -----



**BI-30UG DOOR, GRILLE, TRIM PARTS LIST**

Ref #	Part #	Description	Ref #	Part #	Description
1	7009696	Door, Ref Glass LH-F/O 30UG Svce	25	7011004	Gasket, Door Svce
	7009706	Door, Ref Glass RH-F/O 30UG Svce	26	7010974	Retainer, Gasket Door Svce (~ 48")
	7009718	Door, Ref Glass RH-S 30UG Svce	27	7011005	Retainer, Door Gasket Svce (~ 27")
	7009720	Door, Ref Glass LH-S 30UG Svce	28	7011006	Trim, Cabinet Top Svce
	7009728	Door, Ref Glass LH-F/O 30UA Svce	29	7011013	Frame, Cabinet Top RH Svce
	7009738	Door, Ref Glass RH-F/O 30UA Svce		7011014	Frame, Cabinet Top LH Svce
	7009750	Door, Ref Glass RH-S 30UA Svce	30	7007127	Grille, Framed 30 Svce
	7009752	Door, Ref Glass LH-S 30UA Svce		7007131	Grille, Stainless 30 Svce
<b>NOTE: Door Assemblies do NOT incl. hinges / handles.</b>				7007135	Grille, Overlay 30 Svce
2	7007261	Bracket, Grille LH Svce (Includes Support & Rivets)	31	7010975	Mainframe Assy, Rt Upper (RH Hinge)
3	7007260	Bracket, Grille RH Svce (Includes Support & Rivets)		7010976	Mainframe Assy, Lt Upper (LH Hinge)
4	7005254	Rivet, Semi-Tubular .180 X .280	32	7007262	Mainframe Assy, Right Side (LH Hinge)
5	7001150	Bracket, Frame Support		7007263	Mainframe Assy, Left Side (RH Hinge)
6	7007259	Switch Assy, Svce	33	7011011	Kickplate, Solid Black Svce
7	7001277	Screw, Machine #10-24X1/4		7011012	Kickplate, Solid Stainless Svce
8	6201550	Screw, #8-18 X 1/2 Low Profile	34	7011007	Trim, Door Top RH Svce
9	6201890	Screw, #8-15X3/8 6-Lobe Trhd		7011009	Trim, Door Top LH Svce
10	7010943	Depressor,Door Switch Svce(SS Door)	35	7011008	Trim, Door Bot RH Svce
	7011201	Depressor,Door Switch Svce(F/O Door)		7011010	Trim, Door Bot LH Svce
11	7010285	Hinge Assy, Top RH Low Svce	36	7010287	Hinge, Mid U RH Svce
	7010286	Hinge Assy, Top LH Low Svce		7010288	Hinge, Mid U LH Svce
12	7010188	Door, Screw Cover 50 Svce	37	7009654	Drawer, Fre-F/O 30U/UG/UA Svce
13	6201550	Screw, #8-18 X 1/2 Low Profile		7009684	Drawer, Fre-S 30U/UG/UA Svce
14	7010197	Handle, Framed Door 50 Svde	<b>NOTE: Drawer Assemblies do NOT include handles.</b>		
15	7010207	Trim, Door Handle 50 Svce (Overlay)	38	7010983	Gasket, Drawer 30 Svce
16	7010968	Handle Assy, Tubular 44.25 Svce	39	7010984	Retainer, Gasket Door Svce (~ 17")
	7010970	Handle Assy, PRO 37.5 Svce	40	7010190	Drawer Screw Cover 30 Svce
	7010972	Handle Assy, Curved 45.188 Svce	41	7010200	Handle, Framed Drawer 30 SVCE
17	NA	For Tubular, See 7010968	42	7010211	Trim, Drawer Top 30 Svce
	NA	For PRO, See 7010970	43	7010987	Trim, Drawer Side Svce
	NA	For Curved, See 7010972	44	7010987	Trim, Drawer Side Svce
18	6110730	Screw, Set #10-32X1/4 SS, Cone	45	7010999	Handle Assy, Tubular 24.312 Svce
19	3511520	Stud, Mounting		7011001	Handle Assy, PRO 21 Svce
20	6111090	Bolt, #10-24X1/2 (Tubular & Pro)		7011003	Handle Assy, Curved 25.25 Svce
	6111020	Screw, #10-24X3/8 FI Hd (Curved)	46	NA	For Tubular, See 7010999
21	7010966	Trim, Door Hinge Side Svce		NA	For PRO, See 7011001
22	NA			NA	For Curved, See 7011003
23	NA		47	7010988	Hinge, Side Plate RH Svce
24	NA			7010989	Hinge, Side Plate LH Svce
			48	7010980	Frame, Main Side Right Lwr(RH Hinge)
				7010981	Frame, Main Side Left Lwr (LH Hinge)
			49	7010986	Trim, Drawer Bot Svce

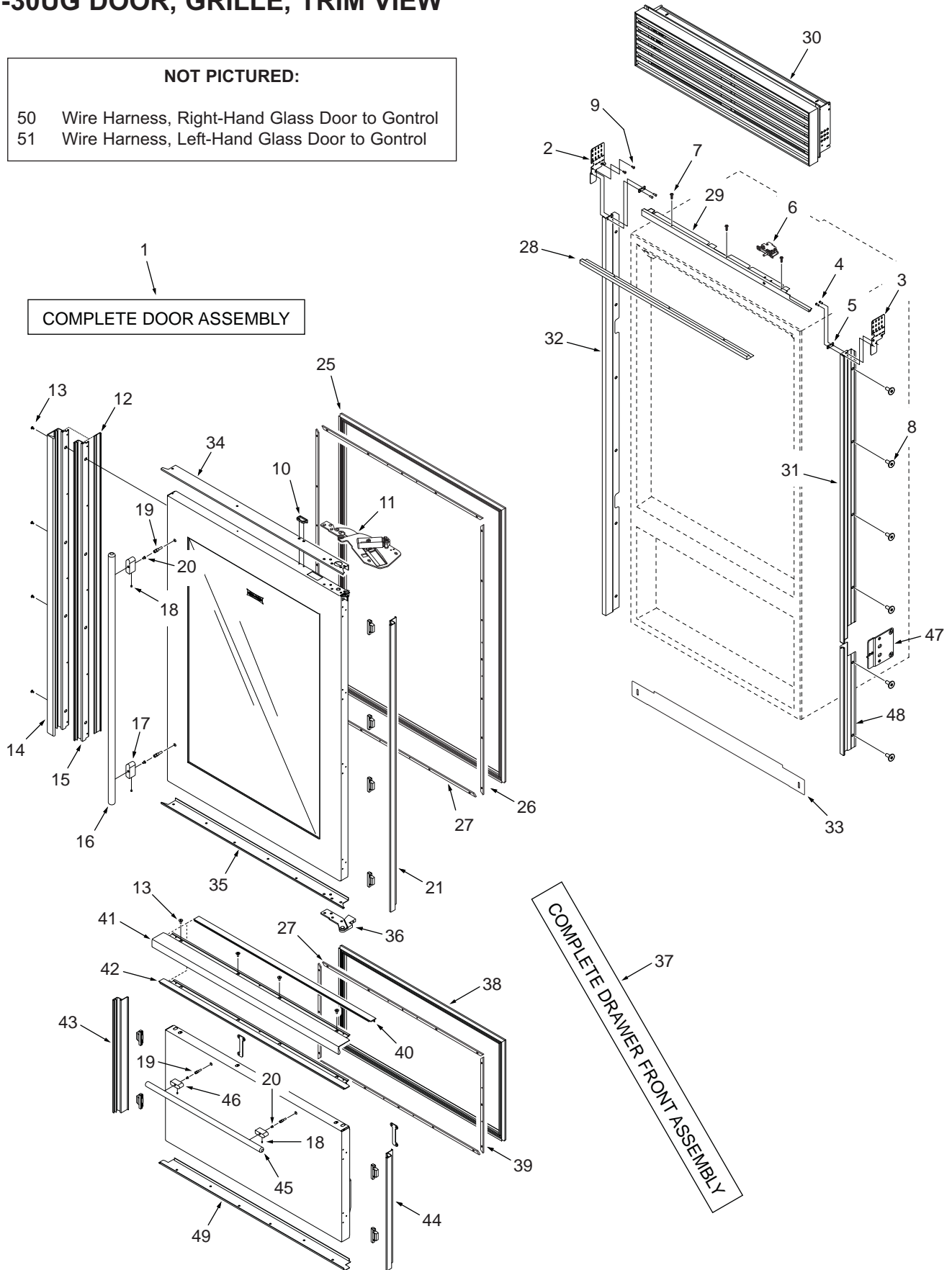
NOT PICTURED:

50	7011110	W/H, RH Glass Door Svce (From door to Control)
51	7011111	W/H, LH Glass Door Svce (From door to Control)

## BI-30UG DOOR, GRILLE, TRIM VIEW

**NOT PICTURED:**

- 50 Wire Harness, Right-Hand Glass Door to Control
- 51 Wire Harness, Left-Hand Glass Door to Control

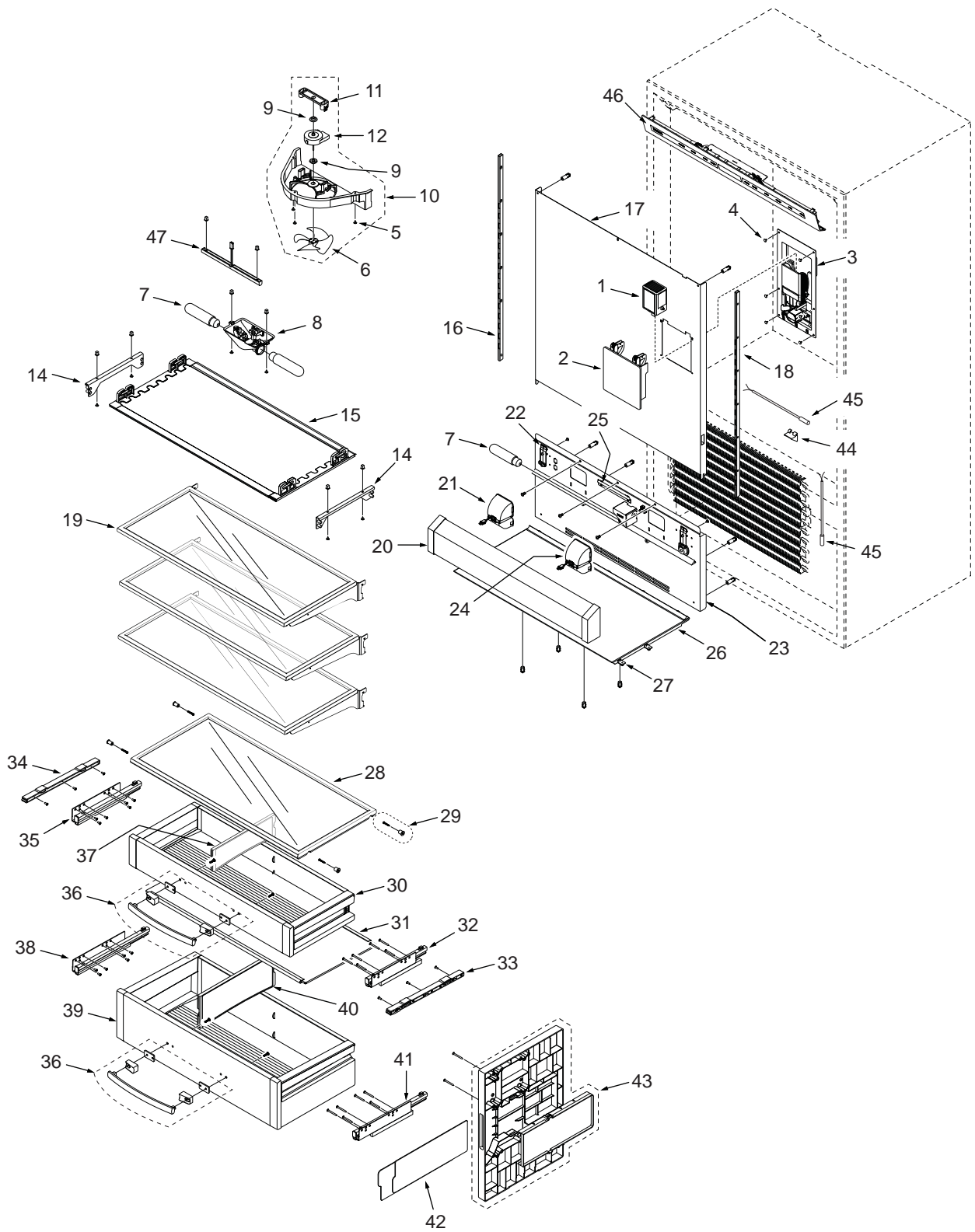




### BI-30UG REFRIGERATOR INTERIOR PARTS LIST

<u>Ref #</u>	<u>Part #</u>	<u>Description</u>	<u>Ref #</u>	<u>Part #</u>	<u>Description</u>
1	7007023	Cartridge, Air Purifier Svce	25	7007033	Retainer, Wire Raceway Svce
2	7007021	Door Assy, Air Purifier Svce	26	7010306	Duct Assy, Ref Bottom Svce
3	7007022	Pocket Assy, Air Purifier Svce	27	7004161	Clip, Crisper Duct
4	6201890	Screw, #8-15X3/8 6 Lobe TR HD	28	7011093	Shelf, Crisper Svce
5	6201890	Screw, #8-15X3/8 6 Lobe Tr Hd	29	7003167	Standoff, Fixed Shelf Ref
6	7011058	Fan Blade, White Svce	30	7010440	Deli Assy, Svce
7	7006999	Lamp, Blue Glass Svce	31	7010439	Glass, Crisper Cover Svce
8	7006997	Light Assy, Dual w/T Dom Svce		7011091	Seal, Crisper Front Svce
	7007044	Lampholder, Angle Dom Svce		7011092	Seal, Crisper Rear Svce
9	7005046	Grommet, Motor Fan	32	7007056	Slide, Drawer RH Svce
10	7010508	Fan Assy, Eavp Svce	33	7006975	Support, Crisper Cover RH Svce
11	NA	See 7010508	34	7007053	Support, Crisper Cover LH Svce
12	NA	See 7010508	35	7007057	Slide, Drawer LH Svce
13	NA		36	7011094	Handle Assy, Drawer Svce
14	7007048	Bracket, Light Diffuser Svce	37	7011081	Divider, Deli Svce
15	7009600	Diffuser Assy, Light Svce	38	7007055	Slide, Drawer LH Svce
16	7009364	Shelf Ladder, LH Svce	39	7010441	Crisper Assy, Svce
17	7010302	Duct Assy, Ref Upper Svce	40	7011080	Divider, Crisper Svce
18	7009363	Shelf Ladder, RH Svce	41	7007054	Slide, Drawer LH Svce
19	7010355	Shelf, Glass Cantilever Svce	42	7007060	Card, Consumer Use & Care Svce
20	7010431	Cover, Crisper Light Svce	43	7009375	Crisper Assy, Spacer LH Svce
21	7007034	Duct, Fan Left Svce		7009376	Crisper Assy, Spacer RH Svce
22	7007040	Support, Crisper Cover Svce	44	7007030	Bracket, Thermistor Svce
23	7010304	Duct Assy, Ref Lower RH Svce	45	4204740	Therm Assy, Svce
	7011506	Duct Assy, Lower LH Svce	46	7009867	Panel, CL 30UG Svce
24	7007036	Duct, Fan Right Svce	47	7010352	Light Assy, Accent Svce

## BI-30UG REFRIGERATOR INTERIOR VIEW

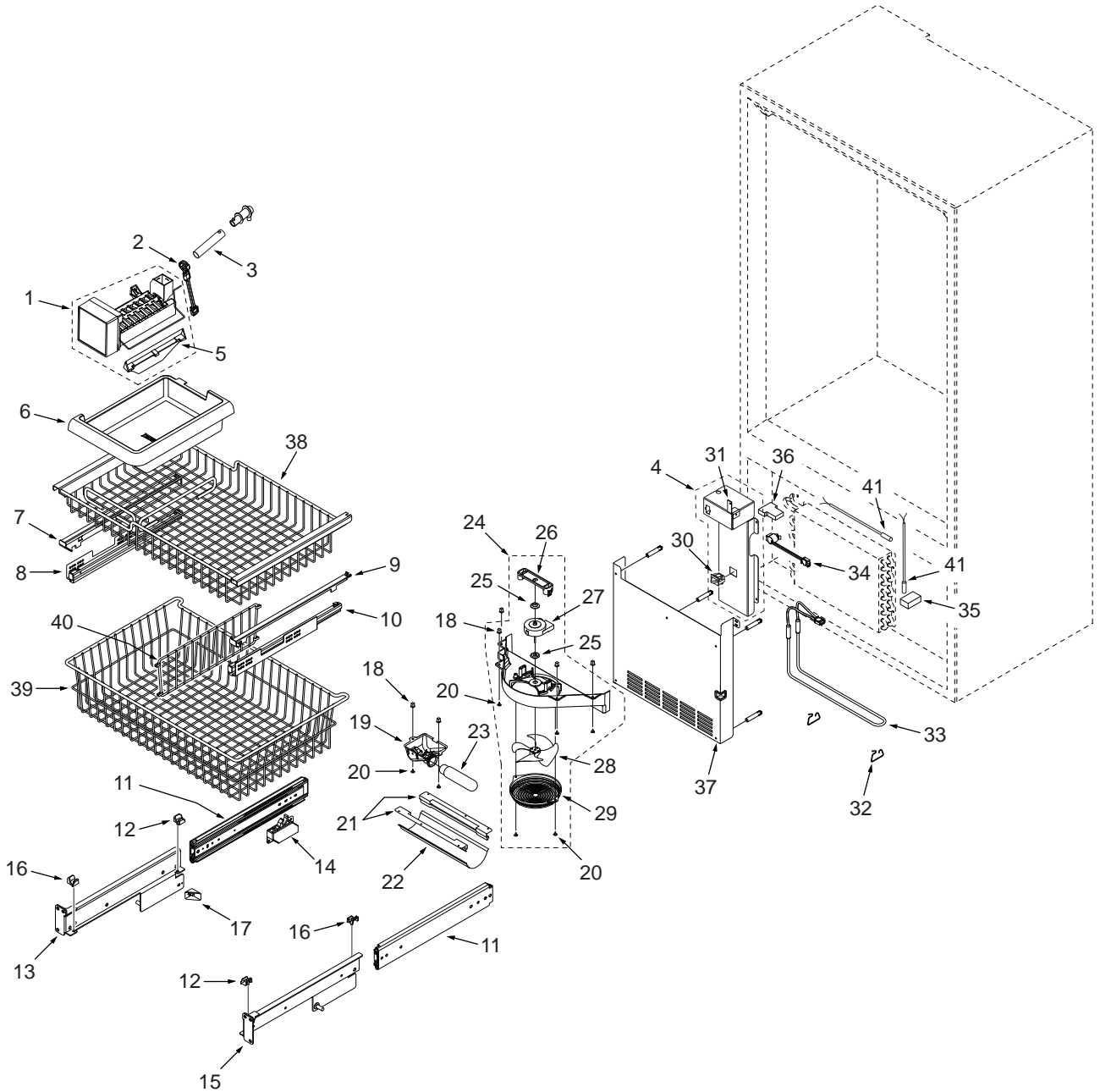




**BI-30UG FREEZER INTERIOR PARTS LIST**

<u>Ref #</u>	<u>Part #</u>	<u>Description</u>	<u>Ref #</u>	<u>Part #</u>	<u>Description</u>
1	7009437	Icemaker, Assy Long Arm Svce	21	7009431	Retainer, Light Diffuser Svce
2	7009435	Heater, Fill Tube Svce	22	7009430	Diffuser, Fre Lower LT Svce
3	7009434	Tube, Fill Svce	23	7006999	Lamp, Blue Glass Svce
4	7011207	Cover Assy, Wie Svce (includes W/H)	24	7009378	Fann Assy, Evap Svce
5	7009436	Arm, Icemaker Svce	25	7005046	Grommet, Motor Fan
6	7009438	Bin, Icemaker Svce	26	NA	See 7009378
7	7011163	Retainer, Upper Basket LH Svce	27	NA	See 7009378
8	7009392	Slide Assy, Fre Basket LH Svce	28	7011058	Fan Blade, White Svce
9	7011162	Retainer, Upper Basket RH Svce	29	7011171	Guard, Fan Svce
10	7009391	Slide Assy, Fre Basket RH Svce	30	3060140	Switch, Light
11	7011173	Slide Assy, Full Extension Svce	31	7009433	Bracket, icemaker Svce
12	7009399	Retainers, Lwr Fre Basket Svce (4)	32	7005253	Clip, Defrost Heater
13	7009400	Support, Assy Left Svce	33	7009385	Heater, Defrost Svce
14	7009401	Closer, Drawer LH Svce	34	7011174	Switch, Defrost Terminator Svce
15	7009398	Support, Assy Right Svce	35	7009386	Block,Evap Foam Svce (incl, LH & RH)
16	7009399	Retainers, Lwr Fre Basket Svce (4)	36	7009386	Block,Evap Foam Svce (incl, LH & RH)
17	7002646	Depressor, Switch	37	7009390	Duct Assy, Fre Svce
18	6220220	Screw, Grommet 1/32X3/8 Sq	38	7010308	Basket, Fre Upper Svce
19	7009429	Bracket Assy, 1 LT (T)DOM Svce	39	7010311	Basket, Fre Lower Svce
	7007044	Lampholder, Angle Dom Svce	40	7011170	Divider, Lower Basket Svce
20	6201890	Screw, #8-15X3/8 6 Lobe Tr Hd	41	4204740	Therm Assy, Svce

## BI-30UG FREEZER INTERIOR VIEW





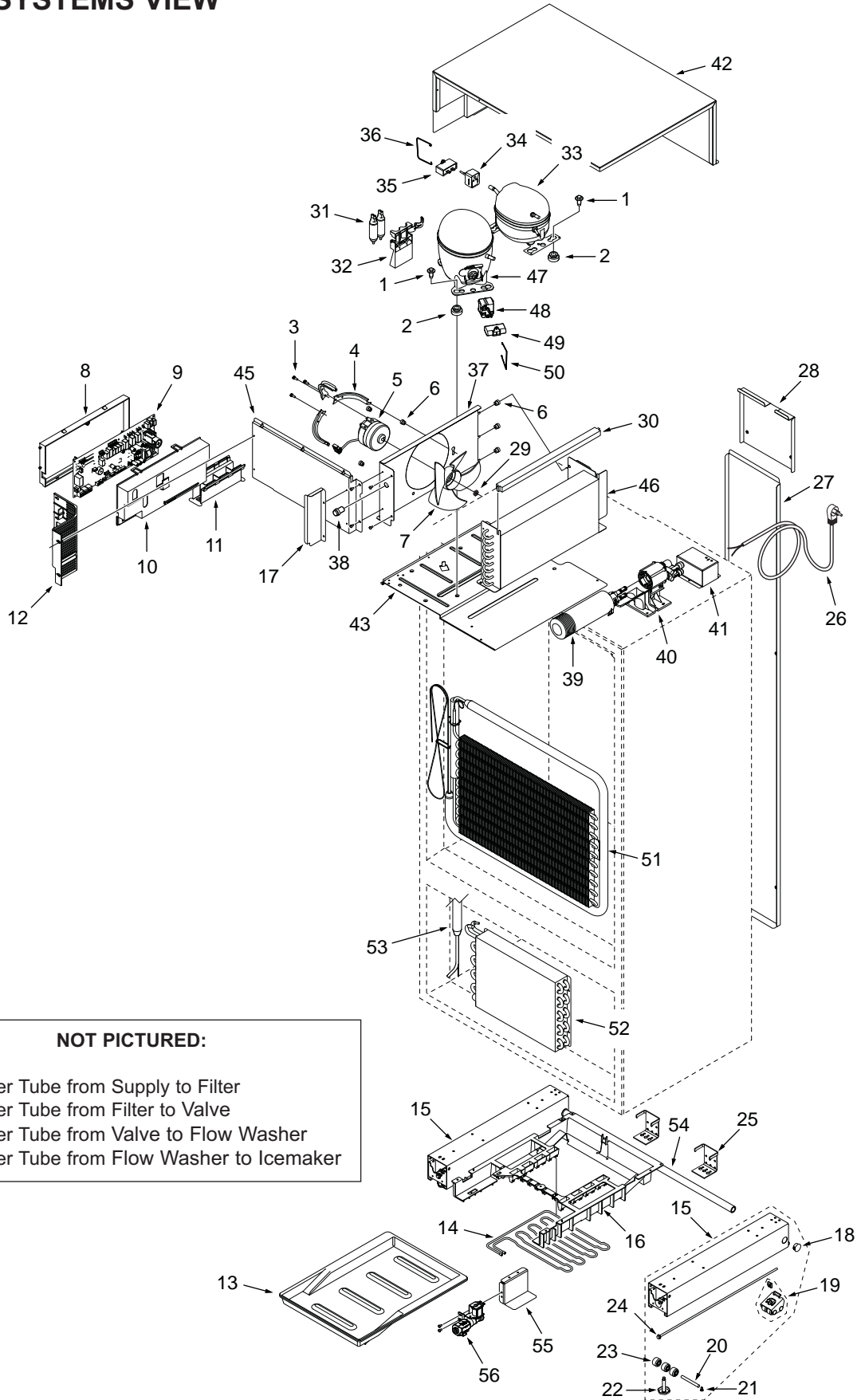
**BI-30UG SYSTEMS PARTS LIST**

<u>Ref #</u>	<u>Part #</u>	<u>Description</u>	<u>Ref #</u>	<u>Part #</u>	<u>Description</u>
1	7002076	Screw, Comp Mounting	30	7011251	Foam, Condenser Svce
2	3150010	Mount, Rubber #70456-1	31	7006964	Drier, High Side Svce
3	6201580	Screw,#8-36 X 1/2 Nylon Patch	32	7006965	Bracket, Drier Svce
4	7011248	Bracket, Cond Fan Motor Svce	33	7009447	Compressor Assy, EM20HSC Svce
5	7011250	Motor, Condenser Svce	34	7010827	Electricals, EM20HSC Svce
6	3220360	Grommet, Mtg Brkt	35	7009448	Capacitor, 5 Mf Svce
7	7006971	Fan Blade, Condenser Svce	36	7011276	Clip, Ref Electricals Svce
8	7006984	Enclosure, Control Board Svce	37	7007859	Shroud Assy, Cond Svce (Incl. Fan)
9	7006953	Control Assy, Board Svce	38	7007864	Switch, Filter Reset Svce
10	7006976	Cover, Control Housing Svce	39	7005017	Water Filter Assy, Replacement
11	7006955	Support, Control Board Svce		7007863	Filter,Water Svce (Needs Special Auth)
12	7006956	Grille, Control Area Svce		7005018	Plug, Water Filter Bypass (Sales Acc.)
13	7006979	Drain Pan, Svce	40	7007862	Manifold, Water Filter Svce
14	7006990	Heater, Drain Pan Svce	41	7006978	Cover, Power Cord DOM Svce
15	7006982	Base Assy, Cabinet Svce	42	7011255	Shroud Assy, Unit Svce
16	7006980	Support, Drain Pan Svce	43	7010300	Unit Tray, Svce
17	7006969	Divider, Air Svce	44	NA	
18	7003021	Plug, 7/8 Nyl hole Black	45	7011256	Shroud Assy, Compressor Svce
19	7006985	Bracket Assy, Cabinet Roller Svce	46	7010319	Condenser, Assy Svce
20	3550560	Straight Pin, Base Assy - .312" x 2.88"	47	7009446	Compressor Assy, EGX60HLC Svce
21	3450620	Clip, Canoe	48	7011254	Electricals, EGX60HLC TSD Svce
22	3570050	Leg, Leveling	49	7005578	Capacitor, 12Mf SVCE
23	3421240	Cabinet Roller	50	7011277	Clip, TSD ElectricalsSvce
24	6111000	Screw, Adjusting 1/4-20 X 20.5	51	7009366	Evap, Ref Svce
25	7009311	Bracket, Anti-Tip Pkg Svce (2 Brackets)		7010301	Evap Assy, Ref Svce (Incl Heat Exch)
26	7006977	Cord, Power DOM Svce	52	7009379	Evap, Fre Svce
27	7006952	Duct, Shell Back Svce	53	7009383	Evap Assy, Fre Svce (Evap & Heat Ex)
28	7006951	Duct, Shell Upper Back Svce	54	7011259	Bar, Anti-Tip Svce
29	6150410	Nut, 1/4-20	55	7011300	Bracket, Water Valve Svce
			56	7007865	Valve, Water Single Svce

NOT PICTURED:

57	7010632	Tube, Water Svce (Supply to Filter)
58	7010653	Tube, Water Fltr to Valve Svce (Filter to Valve)
59	7010624	Tube, Water Svce (Valve to Flow Washer)
60	7010623	Tube, Water Svce (Flow Washer to I/M)

## BI-30UG SYSTEMS VIEW



**NOT PICTURED:**

- 57 Water Tube from Supply to Filter
- 58 Water Tube from Filter to Valve
- 59 Water Tube from Valve to Flow Washer
- 60 Water Tube from Flow Washer to Icemaker