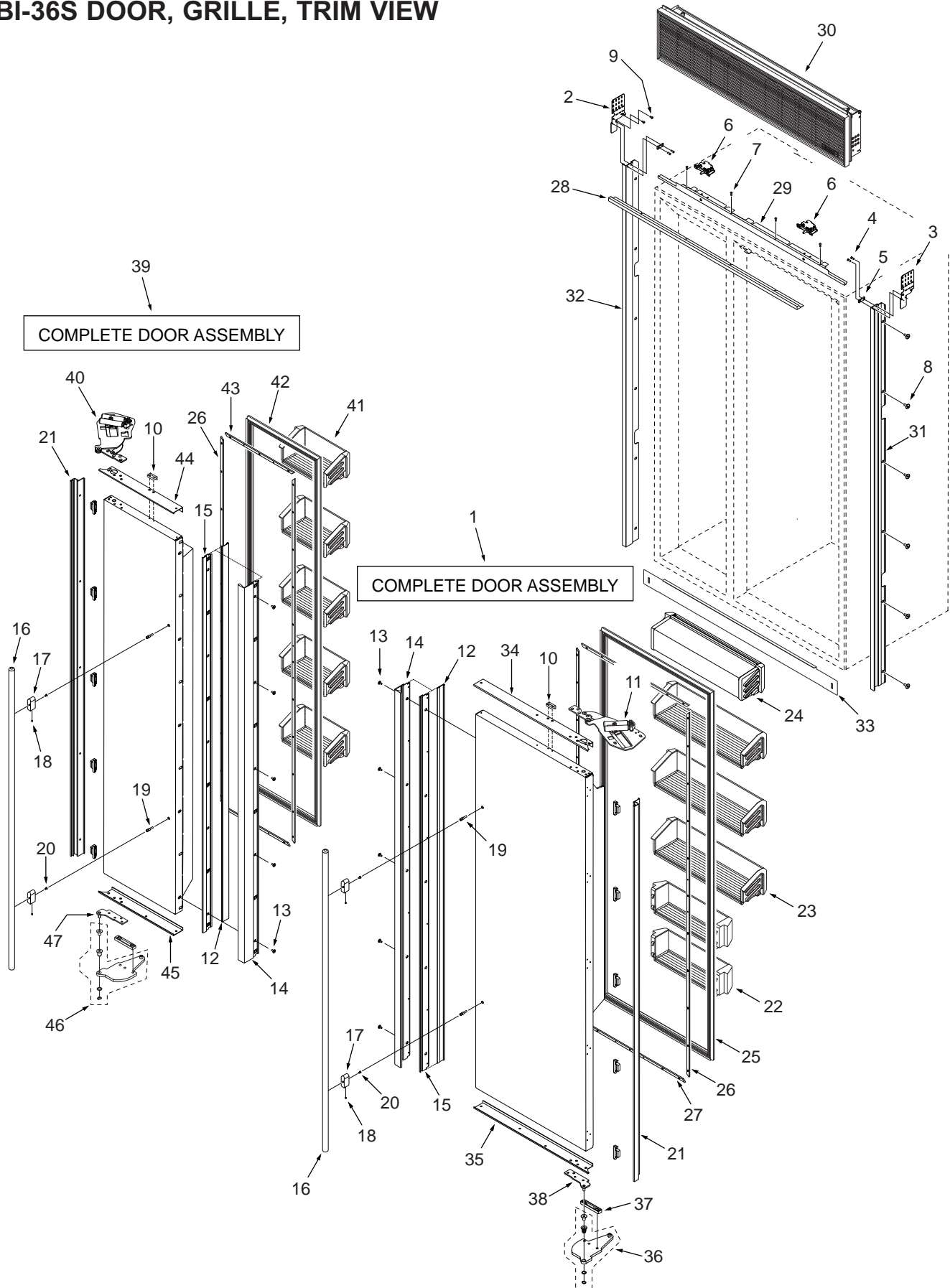




BI-36S DOOR, GRILLE, TRIM PARTS LIST

Ref #	Part #	Description	Ref #	Part #	Description
1	7009665	Door, Ref -S 36S Svce	22	7010675	Shelf Assy, Door Shallow Svce
	7009670	Door, Ref -F/O 36S Svce	23	7010668	Shelf Assy, Door Standard Svce
NOTE: Door Assemblies do NOT incl. hinges / handles.			24	7010681	Shelf Assy, Door Dairy Svce
2	7007261	Bracket, Grille LH Svce (Includes Support & Rivets)	25	7011023	Gasket, Door Svce
3	7007260	Bracket, Grille RH Svce (Includes Support & Rivets)	26	7007269	Retainer, Door Gasket Svce (~ 67")
4	7005254	Rivet, Semi-Tubular .180 X .280	27	7011025	Retainer, Gasket Door Svce (~ 18")
5	7001150	Bracket, Frame Support	28	7007265	Trim, Cabinet Top Svce
6	7007259	Switch Assy, Svce	29	7011033	Frame, Cabinet Top Svce
7	7001277	Screw, Machine #10-24X1/4	30	7007128	Grille, Framed 36 Svce
8	6201550	Screw, #8-18 X 1/2 Low Profile		7007132	Grille, Stainless 36 Svce
9	6201890	Screw, #8-15X3/8 6-Lobe Trhd		7007136	Grille, Overlay 36 Svce
10	7010943	Depressor,Door Switch Svce(SS Door)	31	7007262	Mainframe Assy, Right Side Svce
	7011201	Depressor,Door Switch Svce(F/O Door)	32	7007263	Mainframe Assy, Left Side Svce
11	7010285	Hinge Assy, Top RH Low Svce	33	7007266	Kickplate, Stainless 36 Svce
12	7010187	Door, Screw Cover 70 Svce		7007709	Kickplate, Solid Black 36 Svce
13	6201550	Screw, #8-18 X 1/2 Low Profile	34	7011026	Trim, Door Top Svce
14	7010195	Handle, Framed Door 70 Svde	35	7011027	Trim, Door Bottom Svce
15	7010205	Trim, Door Handle 70 Svce (Overlay)	36	7009852	Hinge,Cabinet Bot RH Svce
16	7010952	Handle Assy, Tubular 63.875 Svce	37	7000405	Standoff, .312 Plate
	7010954	Handle Assy, PRO 42.125 Svce	38	7010940	Hinge, Door Bottoom RH Svce
	7010956	Handle Assy, Curved 57.625 Svce	39	7009668	Door, Fre S 36S Svce
17	NA	For Tubular, See 7010952		7009672	Door, Fre -F/O 36S Svce
	NA	For PRO, See 7010954	NOTE: Door Assemblies do NOT incl. hinges / handles.		
	NA	For Curved, See 7010956	40	7010286	Hinge Assy, Top LH Low Svce
18	6110730	Screw, Set #10-32X1/4 SS, Cone	41	7010671	Shelf Assy, Door Standard Svce
19	3511520	Stud, Mounting	42	7011024	Gasket, Door Svce
20	6111090	Bolt, #10-24X1/2 (Tubular & Pro)	43	7011028	Retainer, Gasket Door Svce (~ 13.5")
	6111020	Screw, #10-24X3/8 FI Hd (Curved)	44	7011029	Trim, Door Top Svce
21	7010946	Trim, Door Hinge Side Svce	45	7011030	Trim, Door Bottom Svce
			46	7009851	Hinge,Cabinet Bot LH Svce
			47	7010941	Hinge, Door Bottoom LH Svce

BI-36S DOOR, GRILLE, TRIM VIEW

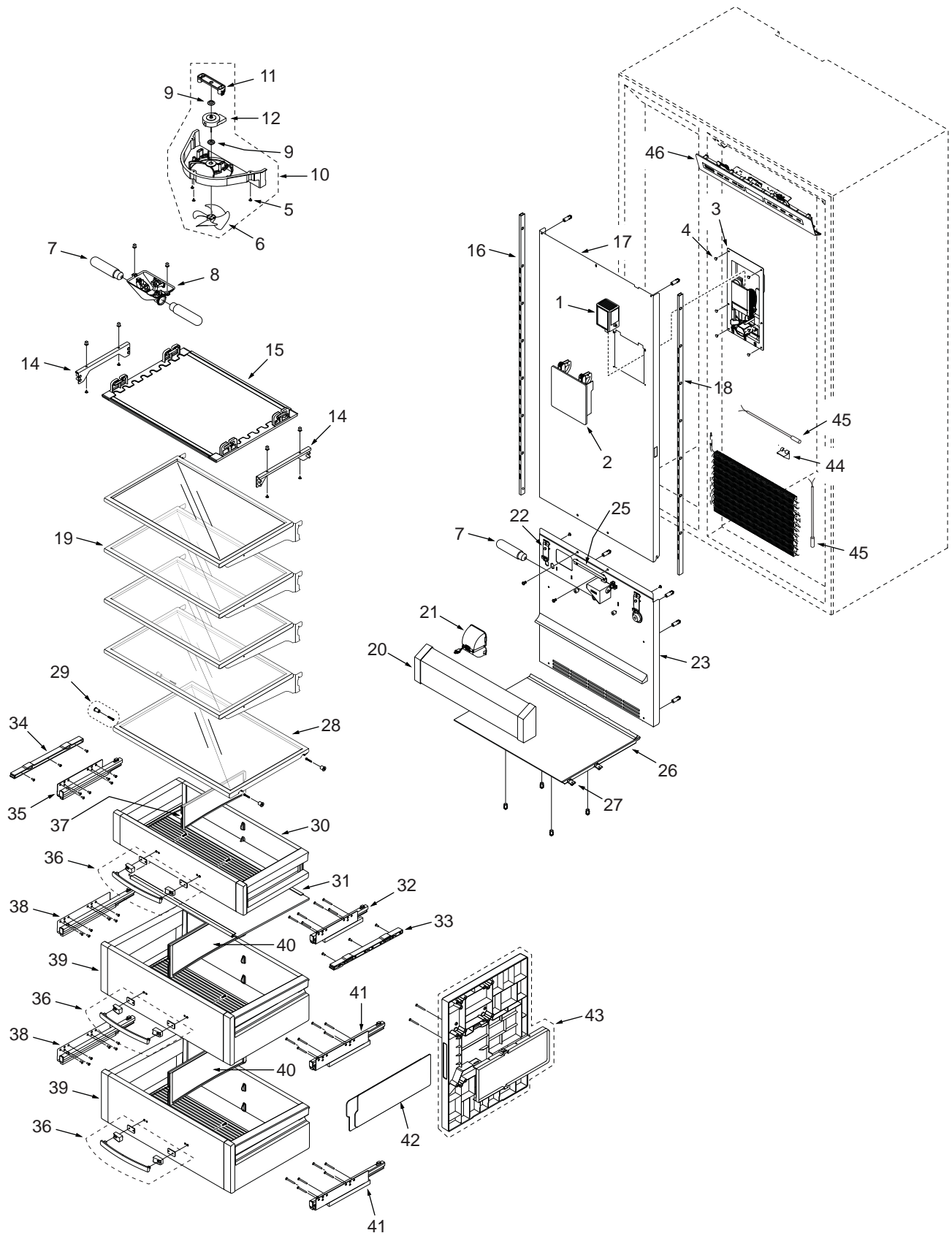




BI-36S REFRIGERATOR INTERIOR PARTS LIST

<u>Ref #</u>	<u>Part #</u>	<u>Description</u>	<u>Ref #</u>	<u>Part #</u>	<u>Description</u>
1	7007023	Cartridge, Air Purifier Svce	24	NA	
2	7007021	Door Assy, Air Purifier Svce	25	7007033	Retainer, Wire Raceway Svce
3	7007022	Pocket Assy, Air Purifier Svce	26	7010324	Duct Assy, Ref Bottom Svce
4	6201890	Screw, #8-15X3/8 6 Lobe TR HD	27	7004161	Clip, Crisper Duct
5	6201890	Screw, #8-15X3/8 6 Lobe Tr Hd	28	7010341	Shelf, Crisper Svce
6	7011058	Fan Blade, White Svce	29	7003167	Standoff, Fixed Shelf Ref
7	7006999	Lamp, Blue Glass Svce	30	7010340	Deli Assy, Svce
8	7006997	Light Assy, Dual w/T Dom Svce	31	7010337	Glass, Crisper Cover Svce
	7007044	Lampholder, Angle Dom Svce		7010338	Seal, Crisper Front Svce
9	7005046	Grommet, Motor Fan		7010339	Seal, Crisper Rear Svce
10	7010329	Fan Assy, Eavp Svce	32	7007056	Slide, Drawer RH Svce
11	NA	See 7010329	33	7006975	Support, Crisper Cover RH Svce
12	NA	See 7010329	34	7007053	Support, Crisper Cover LH Svce
13	NA		35	7007057	Slide, Drawer LH Svce
14	7007048	Bracket, Light Diffuser Svce	36	7011094	Handle Assy, Drawer Svce
15	7009604	Diffuser Assy, Light Svce	37	7011081	Divider, Deli Svce
16	7007029	Shelf Ladder, LH Svce	38	7007055	Slide, Drawer LH Svce
17	7010393	Duct Assy, Ref Upper Svce	39	7010336	Crisper Assy, Svce
18	7007028	Shelf Ladder, RH Svce	40	7011080	Divider, Crisper Svce
19	7010342	Shelf, Glass Cantilever Svce	41	7007054	Slide, Drawer LH Svce
20	7010331	Cover, Crisper Light Svce	42	7007060	Card, Consumer Use & Care Svce
21	7007034	Duct, Fan Left Svce	43	7007062	Crisper Assy, Spacer RH Svce
22	7007040	Support, Crisper Cover Svce	44	7007030	Bracket, Thermistor Svce
23	7010322	Duct Assy, Ref Lower Svce	45	4204740	Therm Assy, Svce
			46	7009855	Panel, CL 36S Svce

BI-36S REFRIGERATOR INTERIOR VIEW



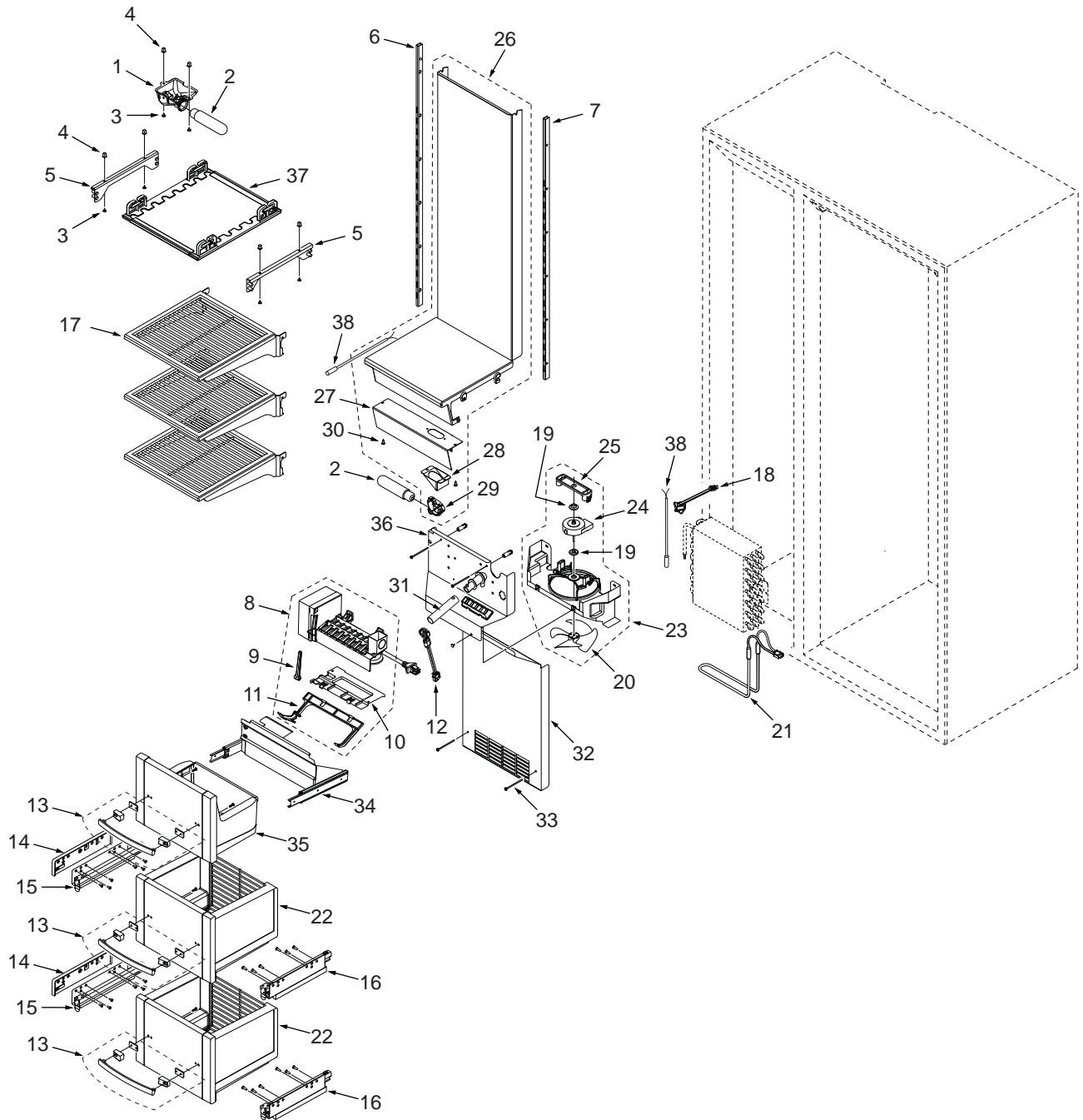


BI-36S FREEZER INTERIOR PARTS LIST

<u>Ref #</u>	<u>Part #</u>	<u>Description</u>	<u>Ref #</u>	<u>Part #</u>	<u>Description</u>
1	7009429	Bracket Assy, 1 LT (T)DOM Svce	19	7005046	Grommet, Motor Fan
	7007044	Lampholder, Angle Dom Svce	20	7009560	Fan Blade, Black Svce
2	7006999	Lamp, Blue Glass Svce	21	7010312	Heater, Defrost Svce
3	6201890	Screw, #8-15X3/8 6 Lobe Tr Hd	22	7010334	Basket Assy, LowerSvce
4	6220220	Screw, Grommet 1/32X3/8 Sq	23	7010318	Fan Assy, Evap Svce
5	7007048	Bracket, Light Diffuser Svce	24	NA	See 7010318
6	7010313	Shelf Ladder, Fre LH Svce	25	NA	See 7010318
7	7010314	Shelf Ladder, Fre RH Svce	26	7010345	Duct, Air Fre Upper Svce
8	7007844	Icemaker Assy, Short Arm Svce	27	NA	See 7010345
9	7009940	Rod, Connector	28	NA	See 7010345
10	7011188	Bracket, Icemaker Svce	29	7007044	Lampholder, Angle Dom Svce
11	7011189	Arm, Icemaker Svce	30	6202050	Screw, #8-18 X 1/2 Ph Pn SS-Gnd
12	7009435	Heater, Fill Tube Svce	31	7009434	Tube, Fill Svce
13	7011094	Handle Assy, Drawer Svce	32	7010343	Duct, Air Fre Lower Svce
14	7011191	Spacer, Basket Slide LH Svce	33	6201980	Screw, #8-15X 2-3/4 6-Lobe PH
15	7007057	Slide, Drawer LH Svce	34	7011194	Bracket Assy, Ice Bin Carrier Svce
16	7007056	Slide, Drawer RH Svce	35	7010333	Bin Assy, Ice Svc
17	7010335	Shelf, Fre Svce	36	7010347	Duct, Air Middle Svce
18	7011192	Switch, Defrost Terminator Svce	37	7009607	Diffuser Assy, Light Svce
			38	4204740	Therm Assy, Svce



BI-36S FREEZER INTERIOR VIEW





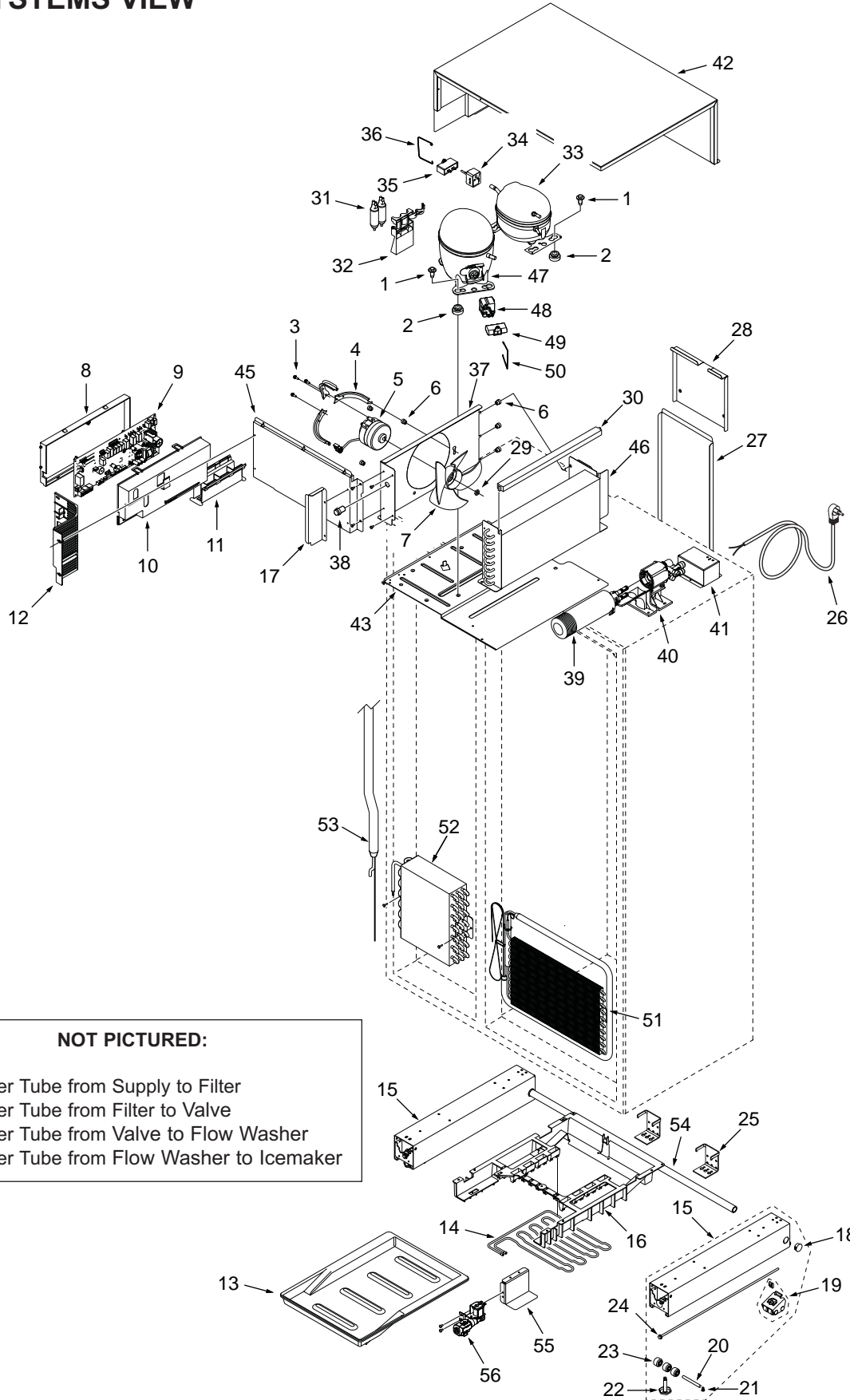
BI-36S SYSTEMS PARTS LIST

Ref #	Part #	Description	Ref #	Part #	Description
1	7002076	Screw, Comp Mounting	30	7011251	Foam, Condenser Svce
2	3150010	Mount, Rubber #70456-1	31	7006964	Drier, High Side Svce
3	6201580	Screw,#8-36 X 1/2 Nylon Patch	32	7006965	Bracket, Drier Svce
4	7011248	Bracket, Cond Fan Motor Svce	33	7009447	Compressor Assy, EM2OHSC Svce
5	7011250	Motor, Condenser Svce	34	7010827	Electricals, EM2OHSC Svce
6	3220360	Grommet, Mtg Brkt	35	7009448	Capacitor, 5 Mf Svce
7	7006971	Fan Blade, Condenser Svce	36	7011276	Clip, Ref Electricals Svce
8	7006984	Enclosure, Control Board Svce	37	7007859	Shroud Assy, Condenser Svce
9	7006953	Control Assy, Board Svce	38	7007864	Switch, Filter Reset Svce
10	7006976	Cover, Control Housing Svce	39	7005017	Water Filter Assy, Replacement
11	7006955	Support, Control Board Svce		7007863	Filter,Water Svce (Needs Special Auth)
12	7006956	Grille, Control Area Svce		7005018	Plug, Water Filter Bypass (Sales Acc.)
13	7006979	Drain Pan, Svce	40	7007862	Manifold, Water Filter Svce
14	7006990	Heater, Drain Pan Svce	41	7006978	Cover, Power Cord DOM Svce
15	7006982	Base Assy, Cabinet Svce	42	7006949	Shroud, Assy Unit Svce
16	7006980	Support, Drain Pan Svce	43	7010424	Unit Tray, Svce
17	7006969	Divider, Air Svce	44	NA	
18	7003021	Plug, 7/8 Nyl hole Black	45	7006957	Shroud Assy, Compressor Svce
19	7006985	Bracket Assy, Cabinet Roller Svce	46	7010319	Condenser, Assy Svce
20	3550560	Straight Pin, Base Assy - .312" x 2.88"	47	7009446	Compressor Assy, EGX60HLC Svce
21	3450620	Clip, Canoe	48	7011254	Electricals, EGX60HLC TSD Svce
22	3570050	Leg, Leveling	49	7005578	Capacitor, 12Mf SVCE
23	3421240	Cabinet Roller	50	7011277	Clip, TSD ElectricalsSvce
24	6111000	Screw, Adjusting 1/4-20 X 20.5	51	7010328	Evap, Ref Svce
25	7009311	Bracket, Anti-Tip Pkg Svce (2 Brackets)		Evap Assy, Ref Svce (Incl Heat Exch)	
26	7006977	Cord, Power DOM Svce	52	7010353	Evap, Fre Svce
27	7006952	Duct, Shell Back Svce	53	7010315	Evap Assy, Fre Svce (Evap & Heat Ex)
28	7006951	Duct, Shell Upper Back Svce	54	7006981	Bar, Anti-Tip Svce
29	6150410	Nut, 1/4-20	55	7007866	Bracket, Water Valve Svce
			56	7007865	Valve, Water Single Svce

NOT PICTURED:

57	7010631	Tube, Water Svce (Supply to Filter)
58	7010652	Tube, Water Fltr to Valve Svce (Filter to Valve)
59	7010640	Tube, Water Svce (Valve to Flow Washer)
60	7010620	Tube, Water Svce (Flow Washer to I/M)

BI-36S SYSTEMS VIEW



NOT PICTURED:

- 57 Water Tube from Supply to Filter
- 58 Water Tube from Filter to Valve
- 59 Water Tube from Valve to Flow Washer
- 60 Water Tube from Flow Washer to Icemaker