

This Owner's Manual is provided and hosted by [Appliance Factory Parts](#).



SUBZERO BI-42SD Owner's Manual

[Shop genuine replacement parts for SUBZERO BI-42SD](#)



[Find Your SUBZERO Refrigerator Parts - Select From 117 Models](#)

----- Manual continues below part list -----

Available Replacement Parts for SUBZERO BI-42SD

70111-108	USE WP70111-108 TRIM- SHEL RE
7007259	SWITCH ASSY,SVCE
7006999	LAMP,BLUE GLASS SVCE
7009435	HEATER,FILL TUBE SVCE
7006979	DRAIN PAN,SVCE
7006990	HEATER TUBE,DRAIN PAN,SVCE
7006980	SUPPORT,DRAIN PAN SVCE
7006964	Drier, High Side
7005578	CAPACITOR,12MF SVCE
7010671	SHELF ASSY,DOOR STANDARD SVCE
7010329	FAN ASSY,EVAP SVCE
7011192	SWITCH,DEFROST TERMINATOR SVCE
7011042	TRIM,DOOR BOTTOM SVCE
7007802	GRILLE,GLASSWELL SVCE
7010475	PANEL ASSY,ESCUTCHEON SVCE
7010501	BRACKET,COVER WATER TANK SVCE
7041932	HEATER ASSY,MULLION,DOM,SVCE
7011302	VALVE,WATER DUAL SVCE
EM4109	Fan Motor
7020004	LEG,LEVELER
9015441	SET SCREW,#10-32X1/4,HEX SKT
7012852	BRACKET,ICEMAKER SVCE
7015936	STUD,MOUNTING SVCE
7023812	WATER FILTER ASSY REPLACEMENT CTO BI-SRS
7016198	ROD,CONNECTOR SVCE
7023312	GASKET,DOOR SVCE
7024049	GROMMET,SCREW 1/32 X 3/8 SQ
7041549	CNTRL ASSY,BOARD,SHORT,SVCE

CLASSIC REFRIGERATION
USE AND CARE GUIDE

CLEANING, MAINTENANCE, AND MORE



Contents

- 3 Classic Features
- 4 Electronic Controls
- 5 Storage
- 8 Operation
- 12 Care Recommendations
- 14 Technical Data
- 15 Troubleshooting
- 19 Sub-Zero Warranty

▲ WARNING

PROPOSITION 65 FOR CALIFORNIA RESIDENTS

Cancer and Reproductive Harm—
www.P65Warnings.ca.gov

Customer Care

The model and serial number are printed on the enclosed product registration card. Both numbers are also listed on the product rating plate. Refer to page 3 for rating plate location. For warranty purposes, you will also need the date of installation and name of your authorized Sub-Zero dealer. Record this information below for future reference.

SERVICE INFORMATION

Model Number
Serial Number
Date of Installation
Certified Service Name
Certified Service Number
Authorized Dealer
Dealer Number

If your product ever needs attention, be sure to use a Sub-Zero Factory Certified Service provider recommended by our Customer Care Center, or select one from our list of providers available at subzero.com/locator. All Factory Certified Service providers are carefully selected and thoroughly trained by us.

Important Note

To ensure this product is installed and operated as safely and efficiently as possible, take note of the following types of highlighted information throughout this guide:

IMPORTANT NOTE highlights information that is especially important.

CAUTION indicates a situation where minor injury or product damage may occur if instructions are not followed.

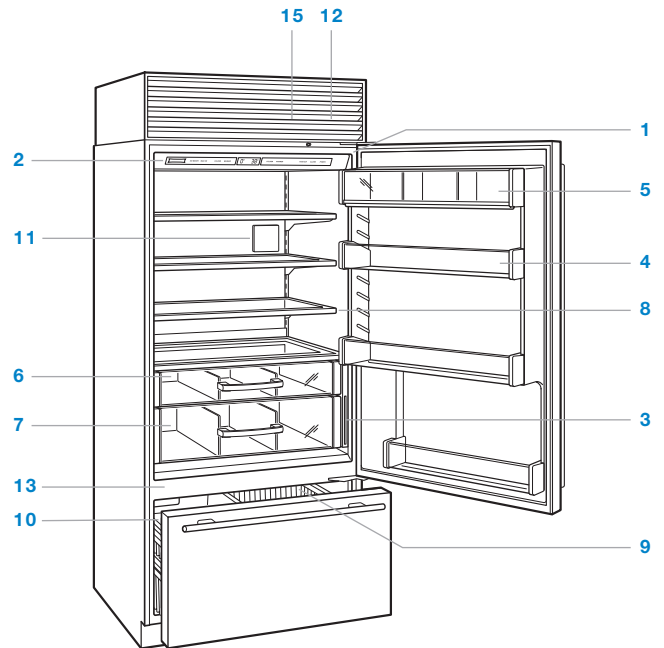
WARNING states a hazard that may cause serious injury or death if precautions are not followed.

IMPORTANT NOTE: Throughout this guide, dimensions in parentheses are millimeters unless otherwise specified.

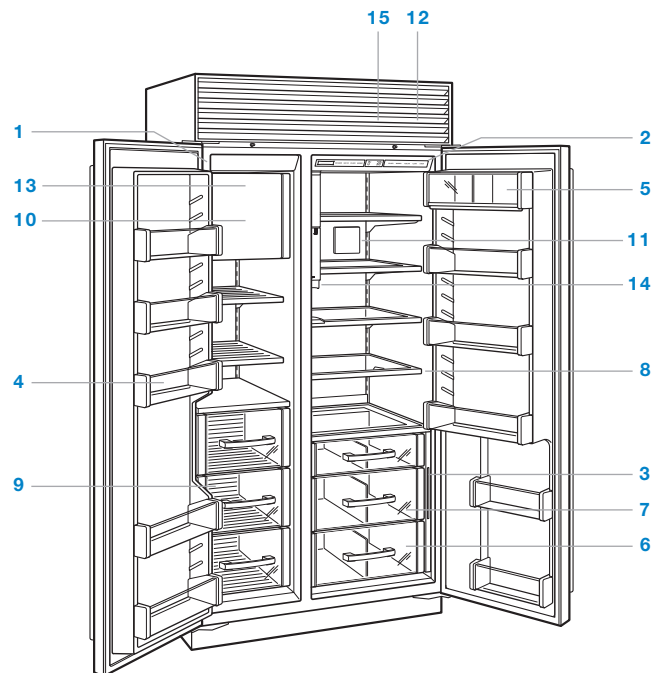
Classic Features

FEATURES

1	Product Rating Plate
2	Electronic Control Panel and Display
3	Freshness Cards
4	Door Shelves
5	Dairy Compartment
6	Refrigerator Storage Drawers
7	High-Humidity Crisper Drawer
8	Glass Shelves
9	Freezer Baskets
10	Ice Container
11	Air Purification System
12	Water Filtration System (behind grille)
13	Automatic Ice Maker
14	Ice and Water Dispenser (dispenser models)
15	Condenser (behind grille)



Over-and-under model



Side-by-side model with internal dispenser








Control Panel

FUNCTION

LIGHTS	Turns the interior accent lighting on or off for glass door models.
ICE MAKER	Turns power to the ice maker on or off. Use to disable the ice maker during extended vacations.
MAX ICE	Activates or deactivates the max ice feature which increases ice production 30% for a 24-hour period.
COLDER WARMER	Adjusts the temperature in one-degree increments. Combination units have separate temperature controls for the refrigerator and freezer. Temperatures are preset at 38°F (3°C) and 0°F (-18°C).
PURE AIR	Activates or deactivates the air purification system.
ALARM	Activates or deactivates the door alarm. A chime indicates the door has been left ajar for more than 60 seconds.
POWER	Turns the unit on or off. When the power is off, "OFF" appears in the control panel display. Turning the power off at the control panel eliminates the need to unplug or turn the power off at the circuit breaker during service or extended vacations.

Display

INDICATOR

	Illuminates or flashes when the electronic control system detects a temperature or ice maker problem, or if the condenser needs to be cleaned.
	Illuminates when the air purification system is activated, and flashes when the cartridge needs to be replaced. After the cartridge has been replaced, touch and hold PURE AIR on the control panel for 5 seconds to reset.
	Illuminates when the water filter needs to be replaced.
	Illuminates when the ice maker system is activated.
	Illuminates when the max ice feature is activated.
	Illuminates when the door alarm is activated.
	Illuminates when the accent lighting is activated for glass door models.



Control panel and display (model BI-30UG shown)

Keeping Food At Its Best

DUAL REFRIGERATION®

This Sub-Zero features a unique Dual Refrigeration® system to keep food fresher longer.

With the Sub-Zero Dual Refrigeration® system, individual refrigerator and freezer systems have been designed to maintain accurate, consistent temperatures and proper humidity levels for longer food life expectancy. Dual Refrigeration® eliminates transfer of fresh food odors to frozen food and ice and does not freeze the moisture out of the air in the fresh food section.

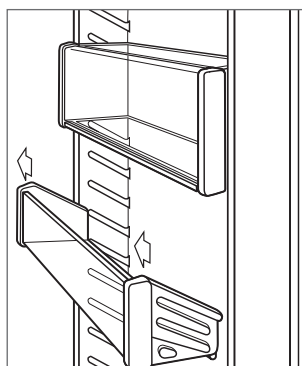
For handy tips and information on how to maximize food freshness, refer to the freshness cards stored in the refrigerator.

Refrigerator Storage

DOOR SHELVES

To remove a door shelf or the dairy compartment, lift from the bottom and slide out. To reinstall, place in the desired position and slide the shelf down onto the guides. Refer to the illustration below.

IMPORTANT NOTE: If the door opening is limited to 90°, door shelves may need to be removed before removing a storage drawer or glass shelf.



Door shelf removal

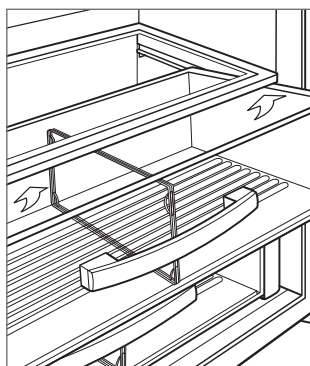
Refrigerator Storage

STORAGE DRAWERS

To remove a storage drawer, pull forward until the drawer stops. Lift the front of the drawer slightly, then pull forward. Refer to the illustration below.

For French door models, the drawer slides may need to be pushed back manually to provide sufficient clearance for removal.

To reinstall, push the drawer slides in. Align the drawer with the slides and push back until it stops. Press down on the front of the drawer to engage the slides.



Storage drawer removal

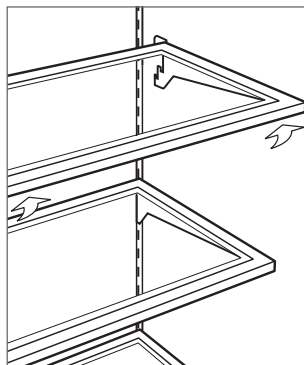
GLASS SHELVES

To remove or adjust a glass shelf, tilt up, then lift up and out. To reposition, insert the shelf in the tracks along the back wall, then lower the front until it locks into position. Refer to the illustration below.

IMPORTANT NOTE: Use care when handling glass shelves to prevent breakage or scratching the interior.

⚠ CAUTION

Glass shelves should warm to room temperature before immersing in warm water.



Glass shelf removal

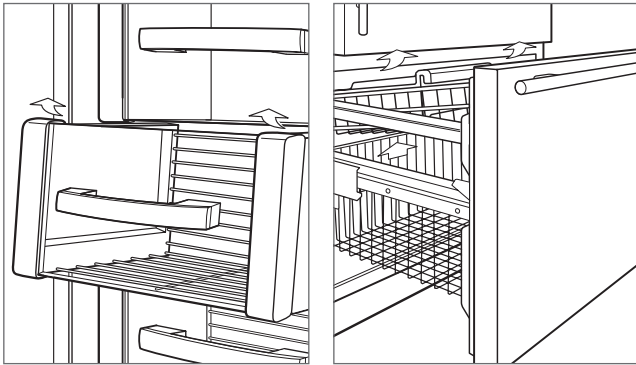
Freezer Storage

FREEZER BASKETS

BI-36F and side-by-side models: To remove, pull forward until the basket stops. Pull the two metal clips located behind the bottom two corners of the basket forward, then lift up and out. Refer to the illustration below. To reinstall, push the drawer slides in. Align the basket with the slides and push back until it stops. Press down on the front of the basket to engage the slides.

IMPORTANT NOTE: For models BI-36S, BI-42S, BI-42SID, and BI-42SD, to remove, the freezer basket must be raised and pulled through the opening in the door liner after disengaging.

Over-and-under models: To remove the upper and lower freezer baskets, lift up and out. Refer to the illustration below. To reinstall, insert the lower basket into the four corner retainers. Position the upper basket onto the side rails and slide back until it clicks.



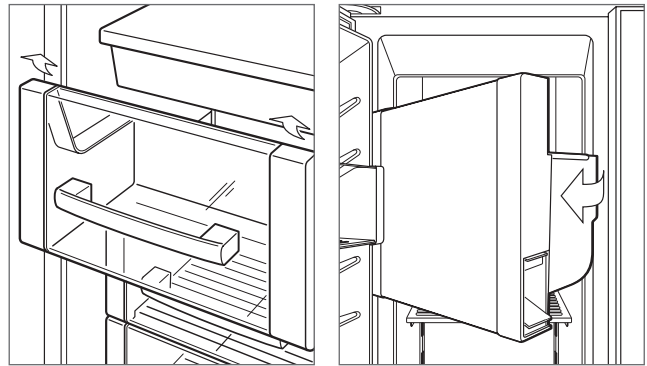
BI-36F and side-by-side models Over-and-under models

ICE CONTAINER

BI-36F and over-and-under models: To remove, pull the container forward until it stops, then lift out.

Side-by-side models: To remove, pull the container forward until it stops, then lift to clear the carrier assembly along the back. Pull forward and out. Refer to the illustration below.

Dispenser models: To remove, pull the container out partially, then rotate and pull out. Refer to the illustration below.




Side-by-side models

Dispenser models

Air Purification System

The advanced air purification system of Sub-Zero Classic models reduces bacteria, odors, and ethylene gas, which causes premature ripening in fruits and vegetables. The air purification cartridge has been factory installed and is located inside the refrigerator, on the back wall.

To initiate air purification, touch PURE AIR on the control panel.


The cartridge will last approximately one year. The  indicator will flash in the control panel display when the cartridge needs to be replaced.

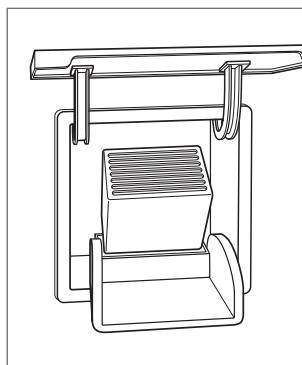
Replacement Sub-Zero air purification cartridges can be ordered online at subzero.com/store. For questions, contact Sub-Zero Customer Care at 800-222-7820.

CAUTION

The air purification system complies with applicable Federal requirements regarding incidental exposure to ultraviolet light. Lamp contains mercury. Manage in accordance with disposal laws. Visit earth911.com or call 800-222-7820.

AIR PURIFICATION CARTRIDGE REPLACEMENT

- 1 To access the air purification cartridge, grasp the outside cover from the bottom and rotate upward. Refer to the illustration below.
- 2 Grasp the black cover from the top and rotate downward. The cartridge will pop out and can be removed.
- 3 Remove the new cartridge from packaging and insert with the connector pointing downward.
- 4 Once in position, close the black cover. Then rotate the outside cover downward until it closes against the back wall.
- 5 Once the cartridge has been replaced, touch and hold PURE AIR on the control panel for five seconds to reset. The  indicator will appear in the control panel display but not flash.




Air purification cartridge

Water Filtration System

The water filtration system of Sub-Zero Classic models supplies filtered water to the ice maker and water dispenser (dispenser models) to produce great-tasting water and ice.

IMPORTANT NOTE: When using the water filtration system for the first time and after filter replacement, it is necessary to clear any air from the system and allow the filter to assist in cleaning the water lines. For non-dispenser models, discard the first two full containers of ice. For dispenser models, dispense several glasses of water for a period of two minutes.

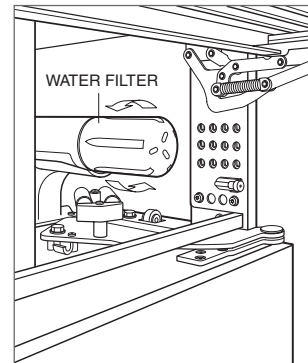
If the water filtration system will not be used, it can be placed in water filter bypass mode by removing the filter.

The filter is rated for 750 gallons (2839 L) or one year, whichever comes first. The  indicator will illuminate in the control panel display when the filter needs to be replaced.

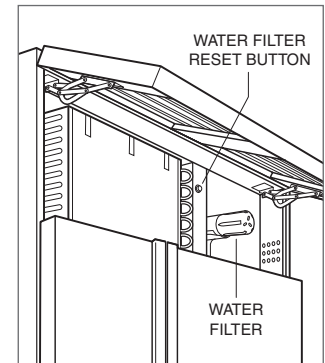
Replacement Sub-Zero water filters can be ordered online at subzero.com/store. For questions, contact Sub-Zero Customer Care at 800-222-7820.

WATER FILTER REPLACEMENT

- 1 To access the water filter, pull out on the bottom edge of the grille assembly and rotate upward.
- 2 To remove the old filter, rotate counterclockwise one-quarter turn, then pull out. Refer to the illustration below. It is normal for a small amount of water to drip when the filter is removed. It should be wiped up with a paper towel or cloth.
- 3 Remove the new filter from packaging and remove the plastic cap.
- 4 Insert the new filter into the manifold and turn clockwise.
- 5 Once the new filter has been installed, press and hold the water filter reset button for five seconds to reset. Refer to the illustration below.



Water filter removal



Water filter location

Ice Maker Operation

To initiate ice production, touch ICE MAKER on the control panel. After initial start-up, discard the first few batches of ice. The ice may contain impurities from new plumbing connections.

The ice maker will cycle every two hours. If ice is not used regularly it may fuse together. To avoid, discard ice and allow ice maker to replenish.



Sabbath

This appliance is certified by Star-K to meet strict religious regulations in conjunction with specific instructions found on www.star-k.org.

To initiate Sabbath mode, while the unit is on, touch POWER on the control panel. "OFF" appears in the control panel display. Touch and hold POWER for 10 seconds until "SAb" appears in the display indicating Sabbath mode has been initiated. Lights, ice maker, door alarm, and dispenser (if applicable) will be disabled. To return to normal operating conditions, touch POWER.

Ice and Water Dispenser

The first time the water dispenser is used, purge the water system and storage tank for three minutes. This will clear any air in the system, along with impurities from new plumbing connections.

Initially, for water to dispense properly, press and hold WATER or the water dispenser button until water flows from the dispenser. It may need to be pressed for 60 seconds for water to fill the internal reservoir tank.

The chilled water reservoir tank holds approximately 40 oz (1.2 L) of filtered water. It may take several hours to chill the water to refrigerator temperature during the original fill and after a large amount of water is dispensed.

CAUTION

Limit continuous ice and water dispenser operation to seven minutes or less.

Ice and Water Dispenser

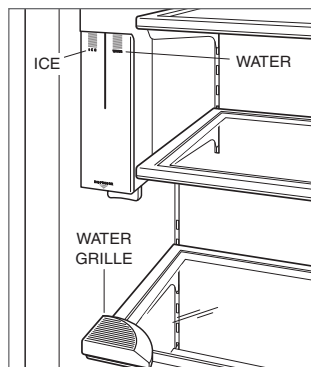
INTERNAL DISPENSER

For models BI-42SID and BI-48SID, the internal ice and water dispenser is designed to accommodate a 16-oz (.5 L) pint glass. Larger containers may be used but may compromise the effectiveness of the dispenser. Drops of water may collect in the removable water grille located directly below the dispenser. Refer to the illustration below.

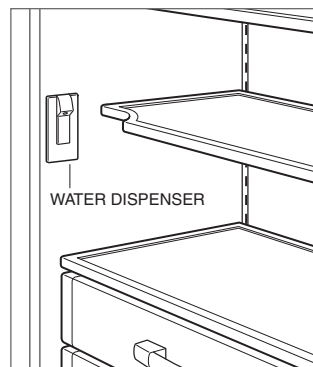
FUNCTION

ICE	Press and hold to dispense ice.
WATER	Press and hold to dispense water.

For models with an internal water only dispenser, the dispenser is located inside the refrigerator on the left wall. Press a glass against the dispenser to activate water flow. Water flow will stop when the glass is pulled away. Refer to the illustration below.



Internal ice and water dispenser



Internal water dispenser

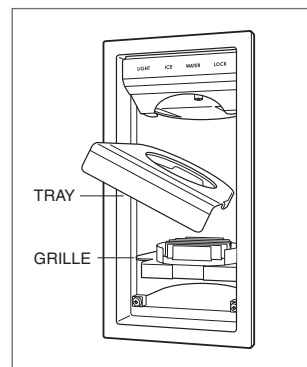
EXTERNAL DISPENSER

Drops of water may collect in the removable water grille. This is not a drain. Do not pour water into the water grille.

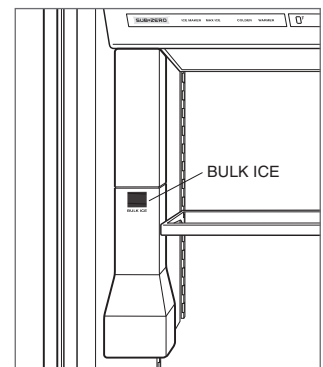
For large quantities of ice, a bulk ice dispenser is located inside the refrigerator. Refer to the illustrations below.

FUNCTION

LIGHT	Press to cycle through lighting options; lights off, lights on, and control panel lights only.
ICE	Press and hold to dispense ice.
WATER	Press and hold to dispense water.
LOCK	Press and hold for 3 seconds to activate or deactivate the dispenser lock. The lock indicator will be illuminated when dispenser is locked.
BULK ICE	Press and hold to dispense large quantities of ice.




Removable water grille



Bulk ice dispenser

Interior Lighting

For glass door models, accent lighting can be turned on and off by touching LIGHTS on the control panel. The  indicator illuminates when accent lighting is activated.

Cleaning

INTERIOR CLEANING

For over-and-under and side-by-side models, the refrigerator or freezer may be disabled without disrupting the other section. To disable a section, touch POWER. Touch and hold WARMER for the section being disabled, continue to hold and touch POWER. Double dashes will appear in the control panel display. Repeat to turn the section back on.

To clean interior surfaces and all removable parts, wash with a mild solution of soap, water, and baking soda. Rinse and dry thoroughly. Avoid getting water on the lights and control panel.

CAUTION

Do not use vinegar, rubbing alcohol, or other alcohol-based cleaners on any interior surface.

STAINLESS STEEL EXTERIOR

Use a nonabrasive stainless steel cleaner and apply with a soft lint-free cloth. To bring out the natural luster, lightly wipe the surface with a water-dampened microfiber cloth followed by a dry polishing chamois. Always follow the grain of stainless steel.

Cleaning

CONDENSER CLEANING

▲ CAUTION

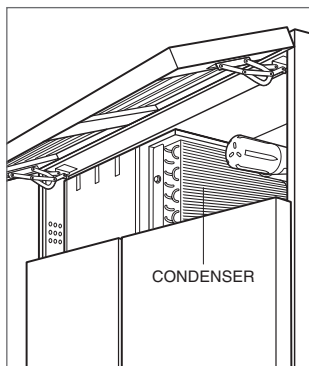
Before cleaning the condenser, turn power off at the control panel. Wear gloves to avoid injury from sharp condenser fins.

The condenser is located behind the flip-up grille. To access, pull out on the bottom edge of the grille and rotate upward. Use a soft bristle brush and vacuum to remove dust and lint from the condenser. Clean the condenser every three to six months. Refer to the illustration below.

IMPORTANT NOTE: To avoid damaging the condenser fins, vacuum in the direction of the fins.

▲ CAUTION

Failure to clean the condenser could result in temperature loss, mechanical failure, or damage.



Condenser location

VACATIONS

For extended vacations, turn power off at the control panel. Empty the unit and block doors open slightly to let fresh air in and keep the interior dry. The water filter should be replaced before start up.

Sub-Zero Water Filtration System Data

IMPORTANT NOTICE: Read this Performance Data Sheet carefully and compare the capabilities of this unit with your actual water treatment needs. It is recommended that, before purchasing a water treatment unit, you have your water supply tested to determine your actual water treatment needs.



System tested and certified by NSF International against NSF/ANSI Standard 42 and 53 for the reduction of substances listed below.

The concentration of the indicated substances in water entering the system was reduced to a concentration less than or equal to the permissible limit for water leaving the system, as specified in NSF/ANSI 42/53.

Contaminant Reduction*	Average Influent Concentration	NSF Specified Challenge Concentration	Average % Reduction	Product Water Concentration		NSF Reduction Requirements	NSF Test Report
				Average	Max Permissible		
Chlorine, Taste & Odor	2.0 mg/L	2.0 mg/L ± 10%	97.5%	0.05 mg/L	N/A	≥50%	J-00056501
Normal Particulate Class I, ≥0.5 to <1.0 µm	13,666,667 pts/ml	At least 10,000 particles/ml	98.9%	143,333 pts/ml	N/A	≥85%	J-00056506
Asbestos	96 MF/L	10 ⁷ to 10 ⁸ fibers/L†	>99%	<1 MF/L	N/A	≥99%	J-00056511
Atrazine	0.010 mg/L	0.009 mg/L ± 10%	89.3%	0.001 mg/L	0.003 mg/L	N/A	J-00056512
Benzene	0.014 mg/L	0.015 mg/L ± 10%	96.3%	0.005 mg/L	0.005 mg/L	N/A	J-00056535
Carbofuran	0.08 mg/L	0.08 mg/L ± 10%	86.6%	0.01 mg/L	0.04 mg/L	N/A	J-00056537
Cyst**	122,500 cysts/L	Min 50,000 cysts/L	99.99%	1 cyst/L	N/A	≥99.99%	J-00056513
Lead at pH 6.5	0.153 mg/L	0.15 mg/L ± 10%	99.3%	0.001 mg/L	0.010 mg/L	N/A	J-00056515
Lead at pH 8.5	0.150 mg/L	0.15 mg/L ± 10%	99.3%	0.001 mg/L	0.010 mg/L	N/A	J-00058784
Lindane	0.002 mg/L	0.002 mg/L ± 10%	97.8%	0.00004 mg/L	0.0002 mg/L	N/A	J-00058969
Mercury at pH 6.5	0.006 mg/L	0.006 mg/L ± 10%	95%	0.0003 mg/L	0.002 mg/L	N/A	J-00058785
Mercury at pH 8.5	0.006 mg/L	0.006 mg/L ± 10%	88%	0.0007 mg/L	0.002 mg/L	N/A	J-00058783
Toxaphene	0.015 mg/L	0.015 mg/L ± 10%	93.2%	0.001 mg/L	0.003 mg/L	N/A	J-00056531
Turbidity	10.8 NTU	11 ± 1 NTU	98.7%	0.153 NTU	0.5 NTU	N/A	J-00058972
P-Dichlorobenzene	0.215 mg/L	0.225 mg/L ± 10%	99.7%	0.0005 mg/L	0.075 mg/L	N/A	J-00056538

*Contaminant reduction determined by NSF testing. **Based on the use of Cryptosporidium Parvum oocysts. †Fibers greater than 10 µm in length.

APPLICATION GUIDELINES / WATER SUPPLY PARAMETERS

Capacity: certified for up to 750 gallons (2,839 L); up to twelve months

Service Flow: 0.78 gpm (2.95 Lpm)

Water Supply: potable water

Water Pressure: 35–120 psi (2.8–8.2 bar)

Water Temperature: 40°F–100°F (5°C–40°C)

SPECIAL NOTES

- Replacement Sub-Zero water filter cartridges can be ordered online at subzero.com/store, or contact customer care at 800-222-7820.
- It is recommended that the filter cartridge be replaced when the indicator is displayed, if there is a noticeable drop in pressure, the ice cubes become hollow, or every 12 months, whichever comes first. Replacement filter pricing information can be found at subzero.com/store.
- This filter must be installed, operated, maintained and replaced as required in order for the product to perform as advertised.
- Note that while the testing was performed under standard laboratory conditions, actual performance may vary. The contaminants or other substances removed or reduced by this water treatment system are not necessarily in your water.

Manufactured for: Sub-Zero, Inc., P.O. Box 44848, Madison, WI 53744, 800-222-7820

Troubleshooting

SERVICE INDICATOR



Indicator illuminated: Touch POWER to turn the unit off. Verify the condenser area is clean. Touch POWER to turn the unit on. If the indicator is still illuminated, call Sub-Zero Customer Care at 800-222-7820.

Indicator flashing: Contact Sub-Zero Factory Certified Service.



Indicator flashing with chime: Contact Sub-Zero Factory Certified Service.



Indicator flashing: Replace the air purification cartridge. Also, replace the cartridge if there is an odor inside the unit.



Indicator flashing: Replace the water filter. Also, replace the filter if the ice tastes bad, is discolored, ice cubes are small, or if the water flow from the dispenser is slow.



Indicator flashing with chime: The door has been left ajar for more than 60 seconds. Close the door.

UNIT OPERATION

No lights or cooling.

- Verify power is on.
- Verify electrical power to the unit and home circuit breaker is on.

No lights in the refrigerator or freezer.

- The door/drawer may have been left ajar which has disabled lights to eliminate excess heat. If the lights are out, close the door/drawer for one hour. If the lights are still out, contact Sub-Zero Factory Certified Service.
- LED interior lighting must be replaced by Sub-Zero Factory Certified Service.

Frost, condensation, or ice build up inside the unit.

- Verify the condenser is clean.
- Verify the door is closing properly.
- Verify the door has not been left ajar.
- Verify the door gasket does not have rips or tears. If it does, contact Sub-Zero Factory Certified Service.
- If icing is heavy, turn the unit off and use a hair dryer to melt the ice. The hair dryer should be set on low and kept moving at all times. Once the ice has melted, wipe up any water with a cloth or paper towel.



High temperatures, the unit runs excessively or is giving off too much heat.

- Verify the condenser is clean.
- Verify the door is closing properly.
- Verify the door has not been left ajar.
- Increased ambient temperatures may cause the compressors to run longer.
- If the temperature display shows 38° and 0°, but is not cooling, the unit may be in showroom mode. Contact Sub-Zero Customer Care at 800-222-7820.

Troubleshooting

ICE PRODUCTION

No ice.

- Verify the  indicator appears in the control panel display.
- Verify the ice maker has been on for at least 24 hours.
- Verify the freezer temperature is near 0°F.
- Verify the ice container is properly installed.
- Verify the ice maker arm is in the down position.
- Verify water is being supplied to the unit.
- Verify the water filter has been replaced within the last 12 months and is installed properly.
- Verify the water filter has been removed if a reverse osmosis filtration system is being used.
- Verify the  indicator is not flashing. If it is flashing, touch MAX ICE and ICE MAKER on the control panel simultaneously.

Blue or green ice.

- Possible copper supply line corrosion. Contact a plumber to clean or replace.

Black flecks in the cubes.

- Stop use and contact Sub-Zero Factory Certified Service.

Bad taste.

- Defrost the freezer and clean with soap and water.
- Place coffee grounds or charcoal briquettes in the freezer to absorb odor.

Hollow cubes.

- Clean the condenser. Contact Sub-Zero Factory Certified Service if unresolved.

ODOR

- The unit should be cleaned before using for the first time. This will clear any odors that may have been trapped during shipping.
- Replace the air purification cartridge.
- Clean the unit and shelving thoroughly.
- Uncovered food could create an odor which may require cleaning.
- Remove and clean the drain pan located behind the kickplate, and reinstall.

Troubleshooting

SERVICE

- Maintain the quality built into your product by contacting Sub-Zero Factory Certified Service. For the name of the nearest Sub-Zero Factory Certified Service, check the Support and Service section of our website, subzero.com or call Sub-Zero Customer Care at 800-222-7820.
- When contacting service, you will need the model and serial number of your unit. Both numbers are listed on the product rating plate. Refer to page 3 for rating plate location.
- For warranty purposes, you will also need the date of installation and name of your authorized Sub-Zero dealer. This information should be recorded on page 2 of this guide.

Sub-Zero, Sub-Zero & Design, Sub-Zero & Snowflake Design, Dual Refrigeration, The Living Kitchen, Great American Kitchens The Fine Art of Kitchen Design, Wolf, Wolf & Design, Wolf Gourmet, W & Design, red colored knobs, Cove, and Cove & Design are registered trademarks and service marks of Sub-Zero Group, Inc. and its subsidiaries. All other trademarks are property of their respective owners in the United States and other countries.

Sub-Zero Residential Limited Warranty

FOR RESIDENTIAL USE

FULL TWO YEAR WARRANTY*

For two years from the date of original installation, this Sub-Zero product warranty covers all parts and labor to repair or replace, under normal residential use, any part of the product that proves to be defective in materials or workmanship. All service provided by Sub-Zero under the above warranty must be performed by Sub-Zero factory certified service, unless otherwise specified by Sub-Zero, Inc. Service will be provided during normal business hours.

FULL FIVE YEAR SEALED SYSTEM WARRANTY

For five years from the date of original installation, this Sub-Zero product warranty covers all parts and labor to repair or replace, under normal residential use, these parts that prove to be defective in materials or workmanship: compressor, condenser, evaporator, drier and all connecting tubing. All service provided by Sub-Zero under the above warranty must be performed by Sub-Zero factory certified service, unless otherwise specified by Sub-Zero, Inc. Service will be provided during normal business hours.

LIMITED TWELVE YEAR SEALED SYSTEM WARRANTY

For twelve years from the date of original installation, Sub-Zero will repair or replace the following parts that prove to be defective in materials or workmanship: compressor, condenser, evaporator, drier and all connecting tubing. If the owner uses Sub-Zero factory certified service, the service provider will repair or replace these parts with the owner paying for all other costs, including labor. If the owner uses non-certified service, the owner must contact Sub-Zero, Inc. (using the information below) to receive repaired or replacement parts. Sub-Zero will not reimburse the owner for parts purchased from non-certified service or other sources.

TERMS APPLICABLE TO EACH WARRANTY

The warranty applies only to products installed for normal residential use. The warranty applies only to products installed in any one of the fifty states of the United States, the District of Columbia or the ten provinces of Canada. This warranty does not cover any parts or labor to correct any defect caused by negligence, accident or improper use, maintenance, installation, service or repair.

THE REMEDIES DESCRIBED ABOVE FOR EACH WARRANTY ARE THE ONLY ONES THAT SUB-ZERO, INC. WILL PROVIDE, EITHER UNDER THIS WARRANTY OR UNDER ANY WARRANTY ARISING BY OPERATION OF LAW. SUB-ZERO, INC. WILL NOT BE RESPONSIBLE FOR ANY CONSEQUENTIAL OR INCIDENTAL DAMAGES ARISING FROM THE BREACH OF THIS WARRANTY OR ANY OTHER WARRANTY, WHETHER EXPRESS, IMPLIED OR STATUTORY.

Some states do not allow the exclusion or limitation of incidental or consequential damages, so the above limitation or exclusion may not apply to you. This warranty gives you specific legal rights and you may also have other legal rights that vary from state to state.

To receive parts and/or service and the name of Sub-Zero factory certified service nearest you, contact Sub-Zero, Inc., P.O. Box 44848, Madison, WI 53744; check the contact & support section of our website, subzero.com, email us at customerservice@subzero.com or call 800-222-7820.

*Stainless steel (doors, panels, handles, product frames and interior surfaces) are covered by a limited 60-day parts and labor warranty for cosmetic defects.

*Replacement water filters and air purification cartridges are not covered by the product warranty.



Contenido

- 3 Características clásico
- 4 Controles electrónicos
- 5 Almacenamiento
- 8 Operación
- 12 Recomendaciones de cuidado
- 14 Datos técnicos
- 15 Resolución de problemas
- 19 Garantía de Sub-Zero

▲ ADVERTENCIA

PROPUESTA 65 PARA RESIDENTES DE CALIFORNIA

Cáncer y Daño Reproductivo—
www.P65Warnings.ca.gov

Atención al cliente

El modelo y número de serie están impresos en la tarjeta de registro del producto adjunta. Los dos números también aparecen en la placa de datos del producto. Consulte la página 3 para encontrar la placa de datos. Para fines de la garantía, usted también necesitará la fecha de instalación y el nombre de su distribuidor autorizado de Sub-Zero. Anote esta información abajo para referencia futura.

INFORMACIÓN PARA SERVICIO

Número de modelo

Número de serie

Fecha de instalación

Nombre de servicio certificado

Número de servicio certificado

Distribuidor autorizado

Número de distribuidor

Si su producto alguna vez necesita servicio, asegúrese de usar un proveedor de servicios certificado por Sub-Zero y recomendado por nuestro centro de atención al cliente, o seleccione uno de nuestra lista de proveedores disponibles en subzero.com/locator. Todos los proveedores de servicio certificados de fábrica han sido cuidadosamente seleccionados y entrenados a fondo por nosotros.

Aviso importante

Para garantizar que este producto sea instalado y operado de la forma más segura y eficiente posible, tome nota de los siguientes tipos de información resaltada en esta guía:

AVISO IMPORTANTE resalta la información que es especialmente importante.

PRECAUCIÓN indica una situación en la que se pueden sufrir heridas leves o provocar daños al producto si no se siguen las instrucciones.

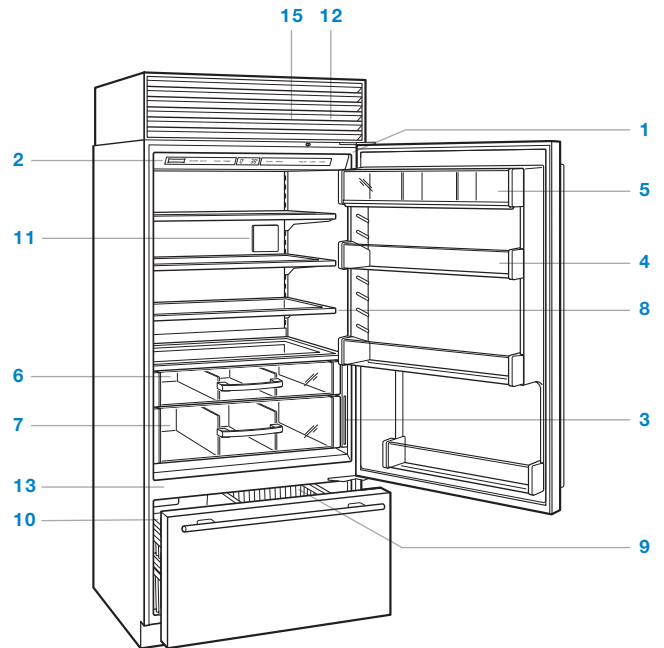
ADVERTENCIA indica peligro de que se produzcan heridas graves o incluso la muerte si no se siguen las precauciones.

AVISO IMPORTANTE: En toda esta guía, las dimensiones entre paréntesis son milímetros, a menos que se especifique lo contrario.

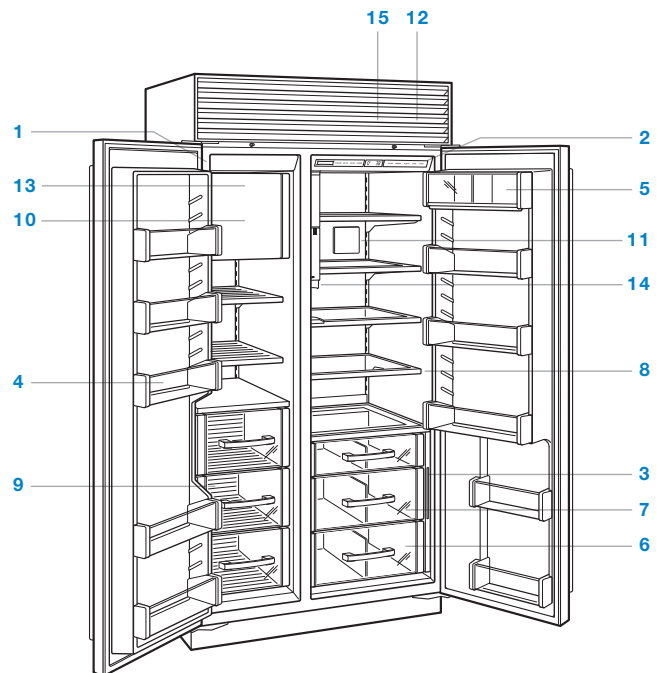
Características clásico

CARACTERÍSTICAS

1	Placa de datos del producto
2	Panel de control y pantalla electrónica
3	Tarjetas de frescura
4	Estantes de la puerta
5	Compartimento para lácteos
6	Cajones de almacenamiento del refrigerador
7	Cajón para frutas y verduras de alta humedad
8	Estantes de cristal
9	Cestas del congelador
10	Contenedor de hielo
11	Sistema de purificación de aire
12	Sistema de filtrado de agua (detrás de la rejilla)
13	Fabricador automático de hielo
14	Dispensador de hielo y agua (modelos con dispensador)
15	Condensador (detrás de la rejilla)



Modelo arriba y abajo (over-and-under)



Modelo de lado a lado (side-by-side) con dispensador interno








Panel de control

FUNCIÓN

LIGHTS (LUCES)	Enciende o apaga la luz de acento interior para los modelos con puerta de cristal.
ICE MAKER (FABRICADOR DE HIELO)	Enciende o apaga el fabricante de hielo. Utilícelo para desactivar el fabricante de hielo durante temporadas de vacaciones prolongadas.
MAX ICE (HIELO MÁX.)	Activa o desactiva la función max ice para aumentar la producción de hielo en un 30% durante un periodo de 24 horas.
COLDER WARMER (MÁS FRÍO O CALIENTE)	Ajusta la temperatura en incrementos de un grado. Las unidades combinadas tienen diferentes controles de temperatura para el refrigerador y el congelador. Las temperaturas están preestablecidas en 38°F (3°C) y 0°F (-18°C).
PURE AIR (AIRE PURO)	Activa o desactiva el sistema de purificación de aire.
ALARM (ALARMA)	Activa o desactiva la alarma de la puerta. Un aviso sonoro indica que la puerta se quedó abierta por más de 60 segundos.
POWER (ENERGÍA)	Enciende o apaga la unidad. Cuando está apagada, aparecerá OFF en la pantalla del panel de control. Desactivar la alimentación en el panel de control elimina la necesidad de desconectar la unidad o de apagar el suministro eléctrico en el disyuntor durante el servicio o las vacaciones prolongadas.

Pantalla

INDICADOR

	Se ilumina o parpadea cuando el sistema de control electrónico detecta un problema con la temperatura o el fabricante de hielo, o cuando es necesario limpiar el condensador.
	Se ilumina al activarse el sistema de purificación de aire y parpadea cuando es necesario cambiar un cartucho. Después de cambiar el cartucho, toque y mantenga presionado PURE AIR en el panel de control durante 5 segundos para reiniciar.
	Se ilumina cuando es necesario cambiar un filtro.
	Se ilumina al activarse el sistema de fabricación de hielo.
	Se ilumina al activarse la función max ice.
	Se ilumina al activarse la alarma de la puerta.
	Se ilumina al activarse la luz de acento para los modelos de puertas de cristal.



Panel de control y pantalla (se muestra el modelo BI-30UG)

Conservación de los alimentos frescos

Esta unidad Sub-Zero incorpora un exclusivo sistema de refrigeración doble para mantener los alimentos frescos durante más tiempo.

Con el sistema de refrigeración doble de Sub-Zero, los sistemas individuales del refrigerador y el congelador han sido diseñados para mantener una temperatura precisa y constante, así como niveles de humedad adecuados para que los alimentos se conserven durante más tiempo. La refrigeración doble elimina la transferencia de olores de los alimentos frescos a los congelados o al hielo y no congela la humedad presente en el aire en la sección de alimentos frescos.

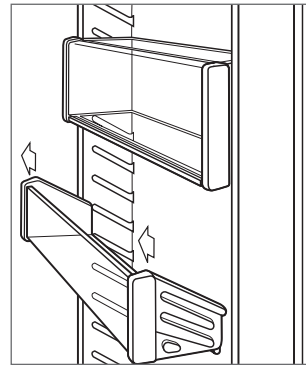
Para obtener sugerencias útiles e información sobre cómo maximizar la frescura de los alimentos, consulte las tarjetas de frescura almacenadas en el refrigerador.

Almacenamiento del refrigerador

ESTANTES DE LA PUERTA

Para extraer un estante de la puerta o el compartimento para lácteos, levántelo y jálalo desde la parte inferior y deslícelo hacia afuera. Para volver a instalarlo, colóquelo en la posición deseada y deslice el estante en las guías. Consulte la siguiente ilustración.

AVISO IMPORTANTE: Si la apertura de la puerta está limitada a 90°, puede ser necesario extraer los estantes antes de extraer un cajón o estante de cristal.



Extracción del estante de la puerta

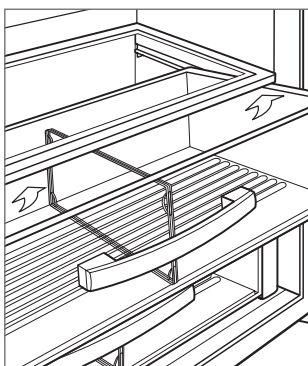
Conservación de los alimentos frescos

CAJONES DE ALMACENAMIENTO

Para extraer un cajón de almacenamiento, debe jalarlo hacia el frente hasta que llegue al tope. Levante ligeramente el cajón por la parte delantera y jálelo hacia adelante. Consulte la siguiente ilustración.

En el modelo de puerta francesa, es posible que sea necesario empujar hacia atrás las correderas del cajón de forma manual para brindar suficiente espacio para su extracción.

Para volver a instalarlo, empuje las guías del cajón hacia adentro. Alinee el cajón con las guías y empuje hasta que se detenga. Presione hacia abajo en la parte delantera del cajón para enganchar los lados.



Extracción del cajón de almacenamiento

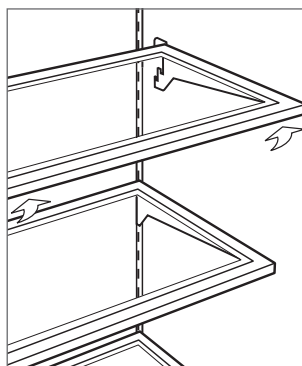
ESTANTES DE CRISTAL

Para extraer o ajustar un estante de cristal, inclínalo hacia arriba, luego levántelo hacia arriba y hacia afuera. Para volver a colocarlo, inserte el estante en las guías que corren a lo largo de la pared posterior, luego baje la parte delantera hasta que encaje en su posición. Consulte la siguiente ilustración.

AVISO IMPORTANTE: Tenga cuidado al manipular los estantes de cristal para evitar que se rompan o que rayen el interior.

⚠ PRECAUCIÓN

Debe dejar que los estantes de cristal alcancen la temperatura ambiente antes de sumergirlos en agua tibia.



Extracción del estante de cristal

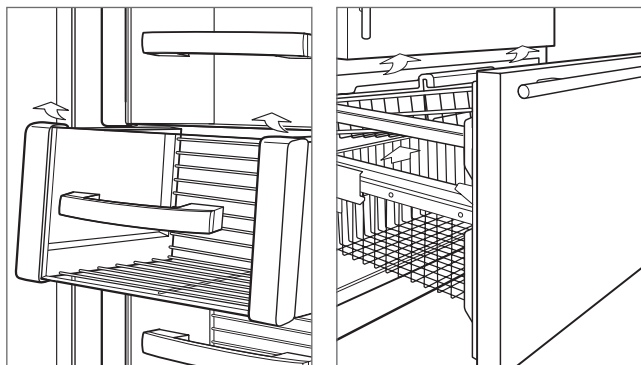
Almacenamiento del congelador

CESTAS DEL CONGELADOR

BI-36F y modelos de lado a lado: Para retirar, jale hacia adelante hasta que se detenga la cesta. Jale hacia adelante los dos sujetadores metálicos que se encuentran detrás de las dos esquinas inferiores de la cesta, luego levántela hacia arriba y hacia afuera. Consulte la siguiente ilustración. Para volver a instalarla, empuje las guías de la cesta hacia adentro. Alinee la cesta con las guías y empuje hasta que se detenga. Presione hacia abajo en la parte delantera de la cesta para enganchar los lados.

AVISO IMPORTANTE: Para extraer la cesta en los modelos BI-36S, BI-42S, BI-42SID y BI-42SD, debe levantar la cesta y jalarla a través de la apertura en la guía de la puerta después de desengancharla de las guías.

Modelos arriba y abajo: Para extraer las cestas superior e inferior del congelador, levántelas hacia arriba y hacia afuera. Consulte la siguiente ilustración. Para volver a instalar, introduzca la cesta inferior en los cuatro retenedores de las esquinas. Coloque la cesta superior en las guías laterales y deslícela hasta que haga clic.



BI-36F y modelos lado a lado

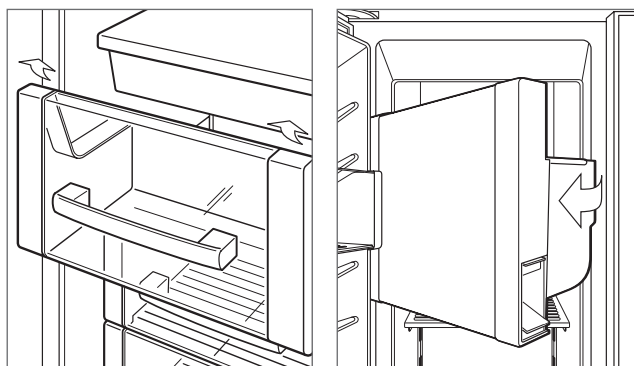
Modelos arriba y abajo

CONTENEDOR DE HIELO

BI-36F y modelos arriba y abajo: Para extraerlo, jale el contenedor hacia adelante hasta que se detenga, luego levántelo hasta que salga.

Modelos de lado a lado: Para extraerlo, jale el contenedor hacia adelante hasta que se detenga, a continuación levántelo para dejar libre el conjunto de desplazamiento situado a lo largo de la parte posterior. Jálelo hacia adelante y hacia afuera. Consulte la siguiente ilustración.

Modelos con dispensador: Para extraer el contenedor, jálelo parcialmente hacia afuera, luego gírelo y jale hacia afuera. Consulte la siguiente ilustración.




Modelos lado a lado

Modelos con dispensador

Sistema de purificación de aire

El avanzado sistema de purificación de aire de los modelos empotrables de Sub-Zero reduce las bacterias, los olores e incluso el gas etileno, que provoca la maduración prematura de frutas y verduras. El cartucho de purificación de aire viene instalado de fábrica y está situado al interior del refrigerador, en la pared trasera.

Para iniciar la purificación del aire, toque PURE AIR en el panel de control.


El cartucho dura aproximadamente un año. El indicador  parpadea en la pantalla del panel de control cuando es necesario sustituir el cartucho.

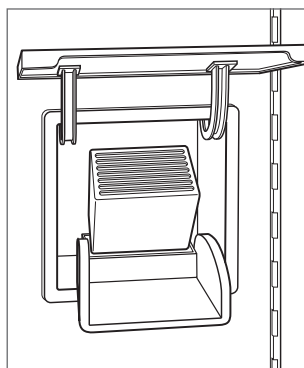
Puede ordenar los cartuchos de purificación de aire Sub-Zero en línea en subzero.com/store. Si tiene preguntas, llame a la línea de atención al cliente de Sub-Zero al 800-222-7820.

PRECAUCIÓN

El sistema de purificación de aire cumple con los requisitos Federales aplicables en relación con la exposición incidental a la luz ultravioleta. La lámpara contiene mercurio. A la hora de deshacerse de ella, acate las leyes vigentes al respecto. Visite earth911.com o llame al 800-222-7820.

SUSTITUCIÓN DEL CARTUCHO DE PURIFICACIÓN DE AIRE

- 1 Para obtener acceso al cartucho de purificación de aire, sujete la cubierta externa desde abajo y gire hacia arriba. Consulte la siguiente ilustración.
- 2 Sujete la cubierta de color negro desde arriba y gire hacia abajo. El cartucho saldrá de su posición y ahora puede extraerlo.
- 3 Extraiga el cartucho nuevo de su empaque, ponga el cartucho en su sitio con el conector hacia abajo.
- 4 Una vez en su sitio, cierre la cubierta de color negro. Luego gire la cubierta externa hacia abajo hasta que cierre contra la pared posterior.
- 5 Una vez que haya cambiado el cartucho, toque y mantenga presionado PURE AIR en el panel de control durante cinco segundos para reiniciar. El indicador  aparecerá en la pantalla del panel de control pero no ya no va a parpadear.




Cartucho de purificación de aire

Sistema de filtrado de agua

El sistema de filtrado de agua de los modelos empotrables de Sub-Zero suministra agua filtrada al fabricante de hielo y al dispensador de agua (modelos con dispensador) para producir agua y hielo de excelente sabor.

AVISO IMPORTANTE: Al utilizar el sistema de filtrado de agua por primera vez y después de cambiar el filtro, es necesario eliminar todo el aire del sistema y permitir que el filtro ayude a limpiar las líneas de agua. Para los modelos sin dispensador, deseche los dos primeros vasos llenos de hielo. Para los modelos con dispensador, deseche varios vasos de agua durante un periodo de dos minutos.

Si no va a utilizar el sistema de filtrado, puede colocarlo en el modo de desviación del filtro de agua al quitar el filtro.

El filtro tiene una capacidad para 750 galones (2839 L) o un año de uso, lo que ocurra primero. El indicador  se ilumina en la pantalla del panel de control cuando es necesario sustituir el filtro.

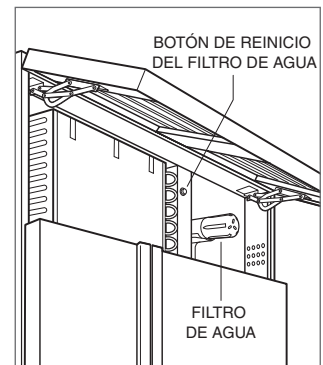
Puede ordenar los filtros de agua de Sub-Zero en línea en subzero.com/store. Si tiene preguntas, llame a la línea de atención al cliente de Sub-Zero al 800-222-7820.

SUSTITUCIÓN DEL FILTRO DE AGUA

- 1 Para obtener acceso al filtro de agua, jale hacia afuera el borde inferior de la rejilla y gire hacia arriba.
- 2 Para extraer el filtro usado, gire el filtro un cuarto de vuelta en sentido opuesto de las manecillas del reloj y jálelo hacia afuera. Consulte la siguiente ilustración. Es normal que gotee una pequeña cantidad de agua al extraer el filtro. Debe limpiarla con una servilleta de papel o un paño.
- 3 Extraiga el nuevo filtro de su empaque y retire la tapa de plástico.
- 4 Inserte el nuevo filtro en el múltiple y gire en sentido de las manecillas del reloj.
- 5 Una vez que haya instalado el filtro, presione y mantenga presionado el botón para reiniciar el filtro de agua durante cinco segundos para reiniciarlo. Consulte la siguiente ilustración.



Extracción del filtro de agua



Ubicación del filtro de agua

Operación del fabricante de hielo

Para iniciar la producción de hielo, toque ICE MAKER en el panel de control. Tras la puesta en marcha inicial, deseche las primeras tandas de hielo. El hielo puede contener impurezas de la nueva conexión de conductos.

El fabricante de hielos hará un ciclo cada dos horas. Si el hielo no se usa con regularidad puede fusionarse. Para evitar esto, deseche el hielo y deje que el fabricante de hielo vuelva a llenarse.

Modo Sabbath

Este electrodoméstico lleva el certificado Star-K que indica que cumple con estrictas normas religiosas junto con instrucciones específicas que aparecen en www.star-k.org.

Para iniciar el modo Sabbath, cuando la unidad está encendida, presione el botón POWER en el panel de control. Se visualiza OFF en la pantalla del panel de control. Toque y mantenga presionado el botón POWER durante 10 segundos hasta que se visualice "SAb" en la pantalla para indicar que se ha iniciado el modo Sabbath. Las luces, el fabricante de hielo, la alarma de la puerta y el dispensador (en su caso) quedarán desactivados. Para regresar a las condiciones normales de funcionamiento, toque POWER.

Dispensador de hielo y agua

La primera vez que utilice el dispensador de agua, purgue el sistema de agua y el depósito de almacenamiento durante tres minutos. Esto eliminará todo el aire que haya en el sistema, junto con las impurezas en la nueva conexión de conductos.

En un principio, para que el agua salga correctamente, deberá mantener pulsado el botón WATER (AGUA) o de dispensador de agua hasta que el agua fluya del dispensador. Es posible que tenga que mantenerlo pulsado durante 60 segundos para que el depósito interno se llene de agua.

El depósito de agua fría tiene una capacidad aproximada para 40 onzas (1.2 L) de agua filtrada. La primera vez que se rellena el depósito o después de utilizar una gran cantidad de agua puede tardar varias horas en enfriar el agua a la temperatura del refrigerador.

⚠ PRECAUCIÓN

Limite el uso del dispensador de agua y hielo a siete minutos o menos.

Dispensador de hielo y agua

DISPENSADOR INTERNO

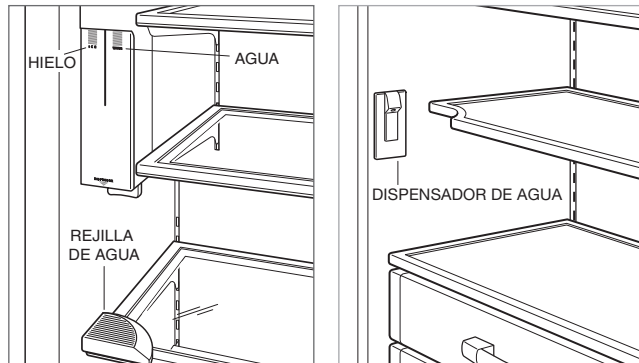
En los modelos BI-42SID y BI-48SID, el dispensador interno de hielo y agua está diseñado para alojar un vaso de 16 onzas (0.5 l). Puede utilizar recipientes más grandes pero esto puede comprometer la eficiencia del dispensador. Se puede acumular gotas de agua en la rejilla de agua extraíble situada directamente debajo del depósito. Consulte la siguiente ilustración.

FUNCIÓN

ICE (HIELO)	Presione y mantenga presionado para dispensar hielo.
--------------------	--

WATER (AGUA)	Presione y mantenga presionado para dispensar agua.
---------------------	---

En los modelos con dispensador de agua interno, el dispensador se encuentra en la pared izquierda dentro del refrigerador. Oprima un vaso contra el dispensador para activar el flujo de agua. El flujo de agua se detendrá al retirar el vaso. Consulte la siguiente ilustración.



Dispensador interno de hielo y agua

Dispensador interno de agua

DISPENSADOR EXTERNO

Se puede acumular gotas de agua en la rejilla de agua extraíble situada en el fondo de la unidad del dispensador. No es un drenaje. No vierta agua en la rejilla de agua.

Para grandes cantidades de hielo, un dispensador de hielo a granel se encuentra dentro del refrigerador. Consulte las siguientes ilustraciones.

FUNCIÓN

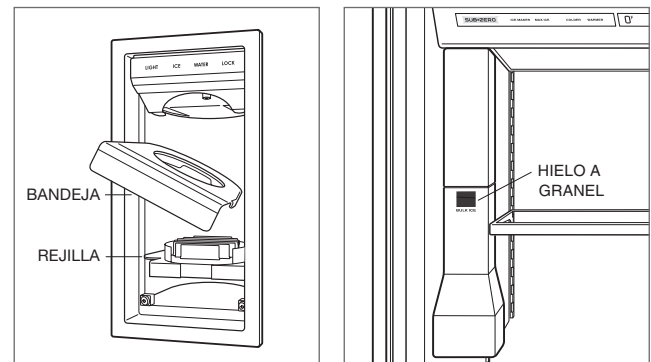
LIGHT (LUZ)	Presione para recorrer las opciones de iluminación, luces apagadas, luces encendidas y luces del panel de control solamente.
--------------------	--

ICE (HIELO)	Presione y mantenga presionado para dispensar hielo.
--------------------	--

WATER (AGUA)	Presione y mantenga presionado para dispensar agua.
---------------------	---

LOCK (LOCK)	Presione y manténgalo presionado durante 3 segundos para activar o desactivar el bloqueo del dispensador. El indicador de bloqueo se ilumina cuando se bloquea el dispensador.
--------------------	--

BULK ICE (HIELO A GRANEL)	Presione y mantenga presionado para dispensar grandes cantidades de hielo.
----------------------------------	--



Rejilla de agua extraíble

Dispensador de hielo a granel

Iluminación interna

La iluminación interna se enciende al abrir las puertas. El refrigerador y el congelador utilizan focos especiales de 40 vatios para electrodomésticos.

Limpeza

LIMPIEZA INTERIOR

Para los modelos arriba y abajo y los modelos lado a lado, el refrigerador o el congelador pueden ser desconectados sin interrumpir la otra sección. Para desconectar una sección toque POWER (ENERGÍA). Toque y mantenga presionada la tecla WARMER (MÁS TEMPLADO) para la sección que está siendo desconectada, siga manteniéndola presionada y toque POWER (ENERGÍA). Aparecen guiones dobles en la pantalla del panel de control. Repita el procedimiento para volver a encender la sección.

Para limpiar las superficies interiores y todas las piezas móviles, lave con una solución suave de jabón, agua y bicarbonato de sodio. Enjuague y seque completamente. Evite que el agua entre en contacto con las luces y el panel de control.

⚠ PRECAUCIÓN

No utilice vinagre, alcohol ni otros limpiadores a base de alcohol en ninguna superficie interna.

EXTERIOR DE ACERO INOXIDABLE

Use un limpiador no abrasivo para acero inoxidable y aplique con un paño suave sin pelusa. Para resaltar el lustre natural, limpie suavemente la superficie con una tela de microfibra humedecida con agua, seguida con una gamuza para pulir en seco. Siempre siga la dirección del acabado del acero inoxidable.

Limpieza

LIMPIEZA DEL CONDENSADOR

▲ PRECAUCIÓN

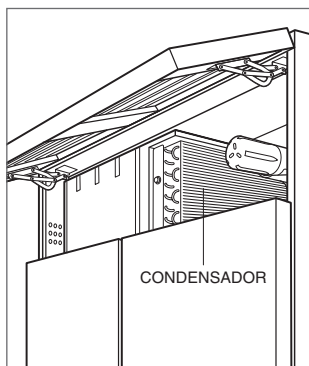
Antes de limpiar el condensador, apague la unidad desde el panel de control. Utilice guantes para evitar que las aletas afiladas del condensador puedan provocar heridas.

El condensador está situado detrás de la rejilla abatible. Para obtener acceso al mismo, jale el borde inferior de la rejilla hacia fuera y gire hacia arriba. Use un cepillo de cerdas suaves y vacío para quitar el polvo y pelusa del condensador. Limpie el condensador cada tres a seis meses. Consulte la siguiente ilustración.

AVISO IMPORTANTE: Para evitar que las aletas del condensador se dañen, asegúrese de aspirar en dirección de las aletas (de arriba hacia abajo).

▲ PRECAUCIÓN

Si no lo limpia, el condensador puede perder la temperatura, o puede producirse un daño o fallo mecánico en el mismo.



Ubicación del condensador

VACACIONES

Para vacaciones prolongadas, apague la unidad desde el panel de control. Vacíe la unidad y deje las puertas ligeramente abiertas para permitir la entrada de aire y que el interior se mantenga fresco y seco. Debe cambiar el filtro de agua antes de iniciar las operaciones.

Datos del sistema de filtrado de agua Sub-Zero

AVISO IMPORTANTE: Lea atentamente esta Hoja de datos de rendimiento y compare las capacidades de esta unidad con sus necesidades de tratamiento de agua reales. Se recomienda que, antes de comprar una unidad de tratamiento de agua, pruebe su suministro de agua para determinar las necesidades de tratamiento de agua reales.



Sistema probado y certificado por NSF International según los estándares 42 y 53 de NSF / ANSI para la reducción de sustancias enumeradas a continuación.

La concentración de las sustancias indicadas en el agua de entrada al sistema fue reducida hasta una concentración menor que o igual al límite permisible para el agua que sale del sistema, según lo especificado en las Normas 42/53 de NSF/ANSI.

Reducción de contaminantes*	Concentración promedio de afluentes	Concentración de riesgos especificada por NFS	Reducción de % promedio	Concentración de agua del producto		Requisitos de reducción de NSF	Informe de prueba de NSF
				Media	Máxima permitida		
Cloro, sabor y olor	2.0 mg/L	2.0 mg/L ± 10%	97.5%	0.05 mg/L	N/A	≥50%	J-00056501
Partículas normales Clase I, de ≥0.5 a <1.0 µm	13,666,667 pts/ml	Por lo menos 10,000 partículas/ml	98.9%	143,333 pts/ml	N/A	≥85%	J-00056506
Asbesto	96 MF/L	10 ⁷ to 10 ⁸ fibras/L†	>99%	<1 MF/L	N/A	≥99%	J-00056511
Atrazina	0.010 mg/L	0.009 mg/L ± 10%	89.3%	0.001 mg/L	0.003 mg/L	N/A	J-00056512
Benceno	0.014 mg/L	0.015 mg/L ± 10%	96.3%	0.005 mg/L	0.005 mg/L	N/A	J-00056535
Carbofurano	0.08 mg/L	0.08 mg/L ± 10%	86.6%	0.01 mg/L	0.04 mg/L	N/A	J-00056537
Quiste**	122,500 quistes/L	Mínimo 50,000 quistes/L	99.99%	1 quiste/L	N/A	≥99.99%	J-00056513
Plomo a pH 6.5	0.153 mg/L	0.15 mg/L ± 10%	99.3%	0.001 mg/L	0.010 mg/L	N/A	J-00056515
Plomo a pH 8.5	0.150 mg/L	0.15 mg/L ± 10%	99.3%	0.001 mg/L	0.010 mg/L	N/A	J-00058784
Lindano	0.002 mg/L	0.002 mg/L ± 10%	97.8%	0.00004 mg/L	0.0002 mg/L	N/A	J-00058969
Mercurio a pH 6.5	0.006 mg/L	0.006 mg/L ± 10%	95%	0.0003 mg/L	0.002 mg/L	N/A	J-00058785
Mercurio a pH 8.5	0.006 mg/L	0.006 mg/L ± 10%	88%	0.0007 mg/L	0.002 mg/L	N/A	J-00058783
Toxafeno	0.015 mg/L	0.015 mg/L ± 10%	93.2%	0.001 mg/L	0.003 mg/L	N/A	J-00056531
Turbiedad	10.8 NTU	11 ± 1 NTU	98.7%	0.153 NTU	0.5 NTU	N/A	J-00058972
P-Diclorobenceno	0.215 mg/L	0.225 mg/L ± 10%	99.7%	0.0005 mg/L	0.075 mg/L	N/A	J-00056538

*Reducción de contaminantes determinada por pruebas de NFS. **Basado en el uso de ooquistes de Cryptosporidium Parvum. †Fibras mayores a 10 µm en longitud.

PAUTAS DE APLICACIÓN Y PARÁMETROS DEL SUMINISTRO DE AGUA

Capacidad: certificado hasta para 750 galones (2,839 L); hasta doce meses.

Flujo de servicio: 0.78 gpm (2.95 Lpm)

Suministro de agua: agua potable

Presión del agua: De 35 a 120 psi (de 2.8 a 8.2 bares)

Temperatura del agua: De 40°F a 100°F (de 5°C a 40°C)

NOTAS ESPECIALES

- Puede ordenar los filtros de agua de Sub-Zero en línea en subzero.com/store, o llame a la línea de atención al cliente al 800-222-7820.
- Se recomienda cambiar el cartucho del filtro cuando aparezca el indicador, si detecta una caída de presión, los cubos de hielo son huecos o cada 12 meses, lo que ocurra primero. Puede encontrar el precio para el filtro de repuesto en subzero.com/store.
- Para que el producto se desempeñe según lo previsto, este filtro se debe instalar, operar y mantener como se establece.
- Tenga en cuenta que, aunque se realizaron pruebas bajo condiciones normales de laboratorio, el rendimiento real puede variar. Los contaminantes u otras sustancias eliminadas o reducidas por este sistema de filtrado de agua no necesariamente se encuentran en su agua.

Fabricado por: Sub-Zero, Inc., P. O. Box 44848, Madison, WI 53744, 800-222-7820

Resolución de problemas

INDICADOR DE SERVICIO



Iluminado. Pulse el botón de POWER para apagarlo. Compruebe si el área del condensador está limpia. Pulse el botón de POWER para encenderlo. Si el indicador sigue iluminado, comuníquese a la línea de atención al cliente de Sub-Zero al 800-222-7820.

Parpadea. Póngase en contacto con el servicio certificado de fábrica de Sub-Zero.



Parpadea con un aviso sonoro. Póngase en contacto con el servicio certificado de fábrica de Sub-Zero.



Parpadea. Cambie el cartucho de purificación de aire. Además, cambie el cartucho si percibe un olor al interior de la unidad.



Parpadea. Cambie el filtro de agua. Además, cambie el filtro de agua si sabe mal, tiene color, los cubos de hielo son muy pequeños o si el afluyente de agua del dispensador es bajo.



Parpadea con un aviso sonoro. La puerta ha quedado abierta por más de 60 segundos. Cierre la puerta.

OPERACIÓN DE LA UNIDAD

Las luces no funcionan o no enfría.

- Compruebe si la unidad está encendida.
- Compruebe que la alimentación eléctrica a la unidad y el interruptor de circuito de la casa estén encendidos.

El refrigerador o el congelador no tienen luz.

- La puerta/cajón tal vez se dejó abierta, lo cual desactivó las luces para eliminar el exceso de calor. Si las luces están apagadas, mantenga cerrados la puerta o el cajón durante una hora. Si las luces aún permanecen apagadas, póngase en contacto con el servicio certificado de fábrica de Sub-Zero.
- La luz LED interior la debe cambiar el servicio certificado de fábrica de Sub-Zero.

Hay formación de escarcha, condensación o hielo dentro de la unidad.

- Compruebe si el condensador está limpio.
- Compruebe si la puerta cierra correctamente.
- Compruebe que la puerta no se haya quedado abierta.
- Compruebe que el empaque de la puerta no tenga rasgaduras ni roturas. Si es así, póngase en contacto con el servicio certificado de fábrica de Sub-Zero.
- Si la formación de hielo es muy gruesa, apague la unidad y use un secador de pelo para derretir el hielo. Debe usar el secador de pelo a baja temperatura y mantenerlo en movimiento en todo momento. Una vez que el hielo se derrita, seque el agua con un paño o toalla de papel.

Altas temperaturas, la unidad funciona en exceso o la unidad emite demasiado calor.

- Compruebe si el condensador está limpio.
- Compruebe si la puerta cierra correctamente.
- Compruebe que la puerta no se haya quedado abierta.
- El aumento de la temperatura ambiente puede causar que el compresor funcione durante más tiempo.
- Si la pantalla muestra una temperatura de 38° y 0°, pero no enfría, es posible que la unidad esté en modo de sala de exposición. Póngase en contacto con la línea de atención al cliente de Sub-Zero en el 800-222-7820.

Resolución de problemas

PRODUCCIÓN DE HIELO

No sale hielo.

- Verifique si se visualiza el indicador de cubos de hielo en la pantalla del panel de control.
- Verifique si el fabricante de hielo ha estado encendido durante al menos 24 horas.
- Verifique que la temperatura del congelador sea de 0°F.
- Verifique que el contenedor de hielo esté bien instalado.
- Verifique que el brazo del fabricante de hielo se encuentre en la posición hacia abajo.
- Compruebe que la unidad tenga suministro de agua.
- Compruebe que el filtro de agua haya sido reemplazado en los últimos 12 meses y si fue instalado correctamente.
- Compruebe que el filtro de agua haya sido extraído o si se está utilizando un sistema de filtrado por ósmosis inversa.
- Compruebe que el indicador del contenedor de hielo no esté parpadeando. Si parpadea, toque MAX ICE e ICE MAKER simultáneamente en el panel de control.

El hielo tiene color azul o verde.

- Probablemente haya corrosión en la línea de suministro de cobre. Póngase en contacto con un plomero para limpiarla o cambiarla.

Manchas negras en los cubos de hielo.

- Detenga el uso y póngase en contacto con el servicio certificado de fábrica de Sub-Zero.

Mal sabor.

- Descongele el congelador y límpielo con agua y jabón.
- Coloque granos de café o pedazos de carbón en el congelador para absorber el olor.

Los cubos de hielo están huecos.

- Limpie el condensador. Póngase en contacto con el servicio certificado de fábrica de Sub-Zero si el problema no se resuelve.

OLOR

- Debe limpiar la unidad antes de utilizarla por primera vez. Esto eliminará todos los olores que hayan quedado atrapados durante el envío.
- Cambie el cartucho de purificación de aire.
- Limpie a fondo la unidad y los estantes.
- Los alimentos descubiertos pueden generar olores que pueden hacer necesaria una limpieza.
- Extraiga y limpie la bandeja de drenaje que se encuentra detrás del zócalo, y vuelva a instalarla.

Resolución de problemas

SERVICIO

- Para mantener la calidad incorporada en su producto, póngase en contacto con el servicio certificado de fábrica de Sub-Zero. Para obtener los datos del centro de servicio autorizado de Sub-Zero más cercano, eche un vistazo a la sección de contacto y servicio técnico en nuestro sitio web, subzero.com o llame a la línea de atención al cliente de Sub-Zero al 800-222-7820.
- Al comunicarse con el servicio, necesitará el modelo y número de serie de su unidad. Los dos números también aparecen en la placa de datos del producto. Consulte la página 3 para encontrar la placa de datos.
- Para fines de la garantía, usted también necesitará la fecha de instalación y el nombre de su distribuidor autorizado de Sub-Zero. Esta información debe estar registrada en la página 2.

Sub-Zero, Sub-Zero & Design, Sub-Zero & Snowflake Design, Dual Refrigeration, The Living Kitchen, Great American Kitchens The Fine Art of Kitchen Design, Wolf, Wolf & Design, Wolf Gourmet, W & Design, red colored knobs, Cove, and Cove & Design son marcas registradas y marcas de servicio de Sub-Zero Group, Inc. y sus asociados. Todas las demás marcas registradas son propiedad de sus dueños respectivos en los Estados Unidos y otros países.

Garantía limitada de los productos Sub-Zero

PARA USO RESIDENCIAL SOLAMENTE

GARANTÍA COMPLETA DE DOS AÑOS*

Durante dos años a partir de la fecha de la instalación original, la garantía de su producto Sub-Zero cubre todas las partes y mano de obra para reparar o reemplazar, bajo el uso residencial normal, cualquier parte del producto que se compruebe estar defectuosa en material o mano de obra. Todos los servicios proporcionados por Sub-Zero bajo la garantía anterior deben ser ejecutados por servicios certificados de fábrica de Sub-Zero, a menos que Sub-Zero Inc. lo especifique de otra manera, el Servicio será proporcionado durante el horario comercial normal.

GARANTÍA COMPLETA DE CINCO AÑOS SOBRE EL SISTEMA CERRADO

Durante cinco años a partir de la fecha de la instalación original la garantía de su producto Sub-Zero cubre todas las partes y mano de obra para reparar o reemplazar, bajo el uso residencial normal, el compresor, condensador, evaporador, secador y todas las conexiones que se compruebe están defectuosas en material o mano de obra. Todos los servicios proporcionados por Sub-Zero bajo la garantía anterior deben ser ejecutados por servicios certificados de fábrica de Sub-Zero, a menos que Sub-Zero Inc. lo especifique de otra manera, el Servicio será proporcionado durante el horario comercial normal.

GARANTÍA LIMITADA DE DOCE AÑOS SOBRE EL SISTEMA CERRADO

Durante doce años a partir de la fecha de la instalación original la garantía de su producto Sub-Zero cubre todas las partes para reparar o reemplazar, bajo el uso residencial normal, el compresor, condensador, evaporador, secador y todas las conexiones que se compruebe están defectuosas en material o mano de obra.

TÉRMINOS APLICABLES A CADA GARANTÍA

La garantía se aplica solamente a los productos instalados para uso residencial normal. La garantía se aplica solamente a los productos instalados en cualquiera de los cincuenta estados de los Estados Unidos, el Distrito de Columbia o las diez provincias de Canadá. Esta garantía no cubre las partes o mano de obra para corregir cualquier defecto causado por negligencia, accidente o uso, mantenimiento, instalación, servicio o reparación inadecuados.

LOS RECURSOS DESCRITOS ANTERIORMENTE PARA CADA GARANTÍA SON LOS ÚNICOS QUE SUB-ZERO, INC. PROPORCIONARÁ, YA SEA BAJO ESTA GARANTÍA O BAJO CUALQUIER GARANTÍA QUE RESULTEN DE LA APLICACIÓN DE LA LEY. SUB-ZERO, INC. NO SE HACE RESPONSABLE POR LOS DAÑOS INDIRECTOS O INCIDENTALES DERIVADOS DE LA VIOLACIÓN DE ESTA GARANTÍA O CUALQUIER OTRA GARANTÍA, YA SEA EXPRESA, IMPLÍCITA O LEGAL.

Algunos estados no permiten la exclusión o limitación de daños incidentales o consecuentes, por lo tanto la limitación o exclusión anterior podrían no aplicarse en su caso. Esta garantía le otorga derechos legales específicos, y usted también puede tener otros derechos legales que varían entre estados.

Para recibir las partes y/o el servicio y el nombre del servicio certificado de fábrica de Sub-Zero más cercano a usted, póngase en contacto con Sub-Zero, Inc., P.O. Box 44848, Madison, WI 53744; eche un vistazo a la sección de contacto y servicio técnico en nuestro sitio web, subzero.com o llame al 800-222-7820.

*Las puertas, paneles, manijas, estructuras de acero inoxidable y superficies internas están cubiertas por una garantía de piezas y mano de obra limitada de 60 días por defectos cosméticos.

*Los filtros de agua de repuesto y los cartuchos de purificación de agua no están cubiertos por la garantía del producto.



Table des matières

- 3 Caractéristiques des unités classique
- 4 Commandes électroniques
- 5 Stockage
- 8 Fonctionnement
- 12 Conseils d'entretien
- 14 Données techniques
- 15 Dépannage
- 19 Garantie Sub-Zero

▲ AVERTISSEMENT

PROPOSITION 65 POUR RESIDENTS DE LA CALIFORNIE

Cancer et Troubles de l'appareil reproducteur—
www.P65Warnings.ca.gov

Service à la clientèle

Le numéro de modèle et le numéro de série sont imprimés sur la fiche d'enregistrement du produit ci-jointe. Les deux numéros sont aussi indiqués sur la plaque signalétique du produit. Reportez-vous à la page 3 pour connaître l'emplacement de la plaque signalétique. Pour les besoins de la garantie, vous devrez aussi avoir la date d'installation et le nom de votre dépositaire Sub-Zero autorisé. Inscrivez ces renseignements ci-dessous pour consultation ultérieure.

RENSEIGNEMENTS SUR LE SERVICE

Numéro de modèle

Numéro de série

Date de l'installation

Nom du service certifié

Numéro du service certifié

Dépositaire autorisé

Numéro du dépositaire

Si votre produit a besoin d'être réparé, assurez-vous d'utiliser un fournisseur de service certifié par l'usine Sub-Zero recommandé par notre centre de service à la clientèle, ou sélectionnez-en un parmi la liste de fournisseurs disponibles à subzero.com/locator. Tous les fournisseurs de service certifiés par l'usine sont soigneusement sélectionnés et rigoureusement formés par nous.

Remarque importante

Pour s'assurer que ce produit est installé et utilisé en toute sécurité et aussi efficacement que possible, prenez note des types de renseignement mis en évidence tout au long de ce guide :

REMARQUE IMPORTANTE met en évidence des renseignements qui sont particulièrement importants.

MISE EN GARDE indique une situation où une blessure mineure ou des dommages au produit peuvent se produire si les directives ne sont pas respectées.

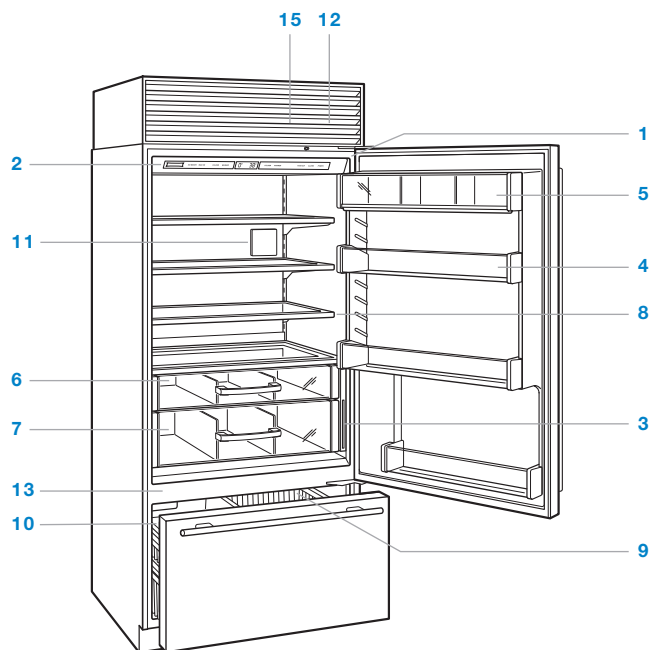
AVERTISSEMENT décrit un danger qui peut causer une blessure grave ou la mort si les précautions ne sont pas respectées.

REMARQUE IMPORTANTE : tout au long de ce guide, les dimensions entre parenthèses sont en millimètres à moins d'indication contraire.

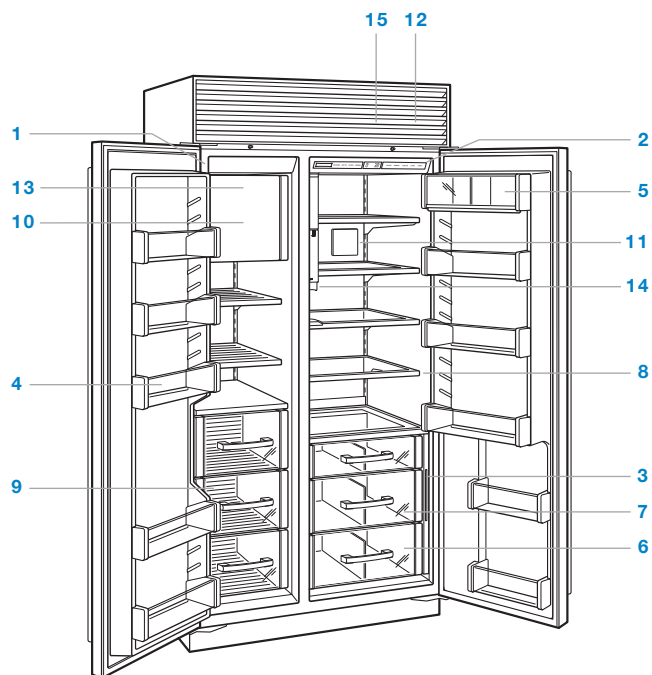
Caractéristiques des unités classique

CARACTÉRISTIQUES

1	Plaque signalétique du produit
2	Panneau de commande électronique et affichage
3	Fiches de fraîcheur
4	Balconnets
5	Compartiment à produits laitiers
6	Tiroirs d'entreposage du réfrigérateur
7	Bac à légumes à humidité élevée
8	Tablettes en verre
9	Paniers du congélateur
10	Contenant à glace
11	Système de purification d'air
12	Système de filtration d'eau (derrière la grille)
13	Machine à glaçons automatique
14	Distributeur de glaçons et d'eau (modèles à distributeur)
15	Condensateur (derrière la grille)



Modèles à congélateur inférieur



Modèle côte à côte avec distributeur interne








Panneau de commande

FONCTION

LIGHTS (LUMIÈRES)	Allume ou éteint l'éclairage d'appoint intérieur pour les modèles à porte en verre.
ICE MAKER (MACHINE À GLAÇONS)	Met en marche ou arrête la machine à glaçons. À utiliser pour désactiver la machine à glaçons pendant des vacances prolongées.
MAX ICE (MAXIMUM DE GLAÇONS)	Active ou désactive la fonction maximum de glaçons qui augmente la production de glaçons de 30 % pendant une période de 24 heures.
COLDER WARMER (PLUS FROID, PLUS CHAUD)	Ajuste la température dans des incréments d'un degré. Les unités combinées ont des commandes de température séparées pour le réfrigérateur et le congélateur. Les températures sont pré-réglées à 38 °F (3 °C) et 0 °F (-18 °C).
PURE AIR (AIR PUR)	Active ou désactive le système de purification d'air.
ALARM (ALARME)	Active ou désactive l'alarme de la porte. Un carillon audible indique que la porte a été laissée entrouverte pendant plus de 60 secondes.
POWER (ALIMENTATION)	Met en marche ou arrête l'unité. Lorsque l'alimentation est coupée, le mot OFF apparaît sur l'affichage du panneau de commande. Couper l'alimentation au niveau du panneau de commande élimine le besoin de débrancher ou de couper le courant avec le disjoncteur pendant tout service ou des vacances prolongées.

Affichage

INDICATEUR

	S'illumine ou clignote lorsque le système de commande électronique a détecté un problème de température ou de machine à glaçons ou si le condensateur doit être nettoyé.
	S'illumine lorsque le système de purification d'air est activé et clignote lorsque la cartouche doit être remplacée. Une fois la cartouche remplacée, touchez et tenez le bouton PURE AIR sur le panneau de commande pendant cinq secondes pour réinitialiser.
	S'illumine lorsque le filtre doit être remplacé.
	S'illumine lorsque le système de la machine à glaçons est activé.
	S'illumine lorsque la fonction MAX ICE est activée.
	S'illumine lorsque l'alarme de la porte est activée.
	S'illumine lorsque l'éclairage d'appoint est activé pour les modèles à porte en verre.



Panneau de commande et affichage (le modèle BI-30UG est illustré)

Garder la nourriture à son meilleur

Ce Sub-Zero est muni d'un système de réfrigération double unique pour garder les aliments frais plus longtemps.

Avec le système de réfrigération double Sub-Zero, les systèmes de réfrigération et de congélation individuels ont été conçus pour maintenir des températures précises, constantes et des niveaux d'humidité appropriés pour une durée de vie plus longue des aliments. La réfrigération double élimine le transfert des odeurs d'aliments frais aux aliments congelés et aux glaçons et ne gèle pas l'humidité dans l'air dans la section des aliments frais.

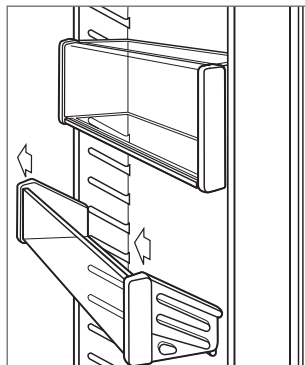
Pour obtenir des conseils pratiques et des renseignements sur la façon de maximiser la fraîcheur des aliments, reportez-vous aux fiches de fraîcheur se trouvant dans le réfrigérateur.

Entreposage du réfrigérateur

BALCONNETS

Pour retirer un balconnet ou le compartiment à produits laitiers, soulevez à partir du fond et glissez vers l'extérieur. Pour réinstaller, placez à la position désirée et glissez le balconnet vers le bas dans les guides. Reportez-vous à l'illustration ci-dessous.

REMARQUE IMPORTANTE : si l'ouverture de la porte est limitée à 90°, les balconnets peuvent devoir être retirés avant d'enlever le tiroir de stockage ou la tablette en verre.



Retrait d'un balconnet

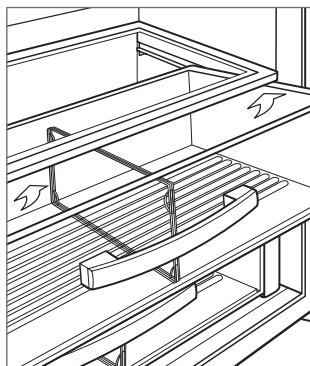
Garder la nourriture à son meilleur

TIROIRS DE STOCKAGE

Pour retirer un tiroir de stockage, tirez vers l'avant jusqu'à ce que le tiroir s'arrête. Soulevez l'avant du tiroir légèrement, puis tirez vers l'avant. Reportez-vous à l'illustration ci-dessous.

Pour le modèle à porte à deux vantaux, les glissières de tiroir pourront devoir être poussées vers l'arrière manuellement pour offrir suffisamment d'espace pour le retrait.

Pour réinstaller, poussez les guides du tiroir vers l'intérieur. Alignez le tiroir avec les guides et poussez vers l'arrière jusqu'à ce qu'il s'arrête. Appuyez sur l'avant du tiroir pour enclencher les guides.



Retrait d'un tiroir d'entreposage

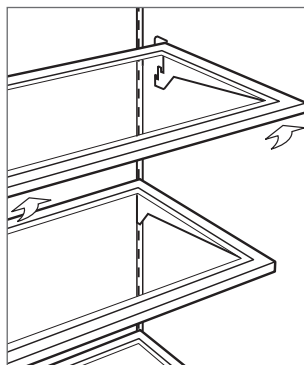
TABLETTES EN VERRE

Pour retirer ou ajuster une tablette en verre, inclinez-la vers le haut, puis soulevez-la vers le haut et l'extérieur. Pour la replacer, insérez la tablette dans les pistes le long de la paroi arrière, puis abaissez le devant jusqu'à ce qu'elle s'enclenche en place. Reportez-vous à l'illustration ci-dessous.

REMARQUE IMPORTANTE : faites attention lors de la manipulation des tablettes en verre pour éviter de les briser ou d'égratigner l'intérieur.

⚠ MISE EN GARDE

Les tablettes en verre doivent être réchauffées jusqu'à la température de la pièce avant de les immerger dans de l'eau chaude.



Retrait d'une tablette en verre

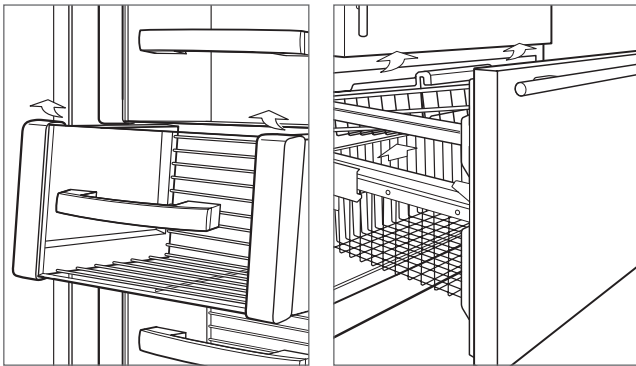
Entreposage du congélateur

PANIER DU CONGÉLATEUR

Modèles BI-36F et côte à côte : Pour retirer, tirez vers l'avant jusqu'à ce que le panier s'arrête. Tirez les deux pinces métalliques situées derrière les deux coins inférieurs du panier vers l'avant, puis soulevez vers le haut et l'extérieur. Reportez-vous à l'illustration ci-dessous. Pour réinstaller, poussez les guides du tiroir vers l'intérieur. Alignez le panier avec les guides et poussez vers l'arrière jusqu'à ce qu'il s'arrête. Appuyez sur l'avant du panier pour enclencher les guides.

REMARQUE IMPORTANTE : pour retirer pour les modèles BI-36S, BI-42S, BI-42SID et BI-42SD, le panier doit être soulevé et tiré à travers l'ouverture dans la doublure de porte après le dégagement.

Modèles à congélateur inférieur : Pour retirer les paniers supérieur et inférieur du congélateur, soulevez vers le haut et l'extérieur. Reportez-vous à l'illustration ci-dessous. Pour réinstaller, insérez le panier inférieur dans les quatre dispositifs de retenue en coin. Placez le panier supérieur sur les rails latéraux et glissez vers l'arrière jusqu'à ce qu'il s'enclenche.



Modèles BI-36F et côte à côte

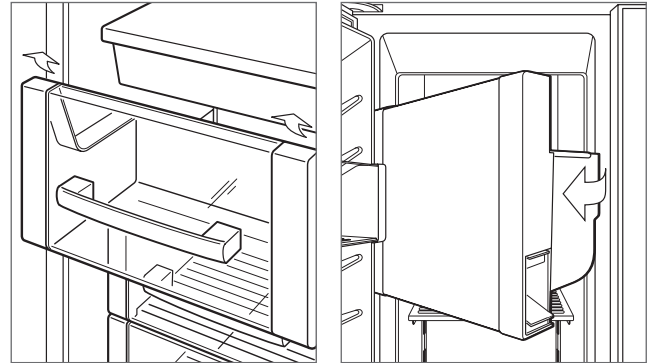
Modèles à congélateur inférieur

CONTENANT À GLACE

Modèles BI-36F et à congélateur inférieur : Pour retirer, tirez le contenant vers l'avant jusqu'à ce qu'il s'arrête, puis soulevez vers l'extérieur.

Modèles côte à côte : Pour retirer, tirez le contenant vers l'avant jusqu'à ce qu'il s'arrête, puis soulevez-le pour dégager l'assemblage du support à l'arrière. Tirez vers l'avant et l'extérieur. Reportez-vous à l'illustration ci-dessous.

Modèles à distributeur : Pour retirer, tirez le contenant partiellement vers l'extérieur, puis pivotez et tirez vers l'extérieur. Reportez-vous à l'illustration ci-dessous.




Modèles côte à côte

Modèles à distributeur

Système de purification d'air

Le système de purification d'air avancé des modèles classique de Sub-Zero réduit les bactéries, les odeurs et le gaz éthylène qui cause le mûrissement prématuré des fruits et des légumes. La cartouche de purification d'air a été installée à l'usine et se trouve à l'intérieur du réfrigérateur sur le mur arrière.

Pour initier la purification de l'air, touchez à PURE AIR sur le panneau de commande.


La cartouche durera approximativement un an. Le voyant lumineux  clignotera sur l'affichage du panneau de commande lorsqu'elle a besoin d'être remplacée.

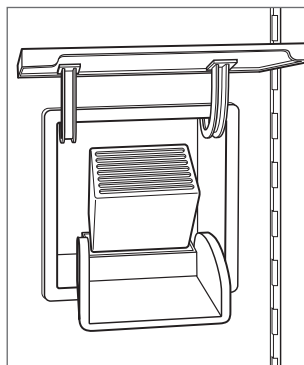
Des cartouches de purification d'air Sub-Zero peuvent être commandées en ligne à subzero.com/store. Pour toute question, communiquez avec le service à la clientèle Sub-Zero au 800-222-7820.

MISE EN GARDE

Le système de purification d'air se conforme aux exigences fédérales applicables concernant l'exposition accidentelle au rayonnement ultraviolet. La lampe contient du mercure. Manipulez conformément avec les lois d'élimination. Visitez earth911.com ou composez 800-222-7820.

REMPACEMENT DE LA CARTOUCHE DE PURIFICATION D'AIR

- 1 Pour accéder à la cartouche de purification d'air, agrippez le couvercle extérieur du fond et pivotez vers le haut. Reportez-vous à l'illustration ci-dessous.
- 2 Agrippez le couvercle noir du dessus et pivotez vers le bas. La cartouche sortira et peut alors être retirée.
- 3 Retirez la nouvelle cartouche de l'emballage et insérez en pointant le connecteur vers le bas.
- 4 Une fois en position, fermez le couvercle noir. Ensuite, pivotez le couvercle extérieur vers le bas jusqu'à ce qu'il se ferme contre le mur arrière.
- 5 Une fois la cartouche remplacée, touchez et tenez le bouton PURE AIR sur le panneau de commande pendant cinq secondes pour réinitialiser. L'indicateur  apparaîtra sur l'affichage du panneau de commande, sans clignoter.




Cartouche de purification d'air

Système de filtration d'eau

Le système de filtration d'eau des modèles classique de Sub-Zero fournit de l'eau filtrée à la machine à glaçons et au distributeur d'eau (modèles avec distributeur) pour produire de l'eau et de la glace qui ont bon goût.

REMARQUE IMPORTANTE : lorsque vous utilisez le système de filtration d'eau pour la première fois, il est nécessaire d'éliminer tout air du système et de laisser le filtre faciliter le nettoyage des conduites d'eau. Pour les modèles sans distributeur, jetez les deux premiers contenants pleins de glaçons. Pour les modèles à distributeur, faites couler plusieurs verres d'eau pendant une période de deux minutes.

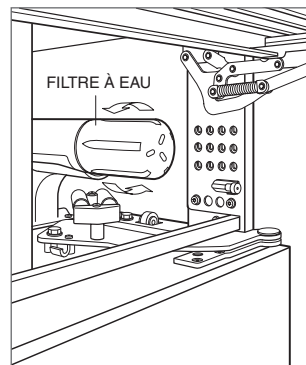
Si le système de filtration d'eau ne sera pas utilisé, il peut être mis en mode de dérivation du filtre à eau en retirant le filtre.

Le filtre est qualifié pour 750 gallons (2 839 l) ou un an, le premier des deux prévalant. L'indicateur  s'illumine sur l'affichage du panneau de commande lorsque le filtre a besoin d'être remplacé.

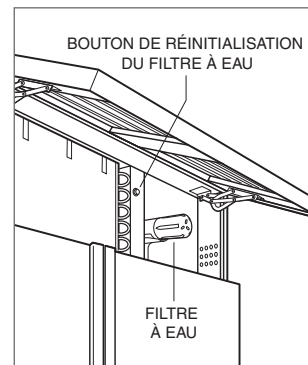
Des filtres à eau de rechange Sub-Zero peuvent être commandés en ligne à subzero.com/store. Pour toute question, communiquez avec le service à la clientèle Sub-Zero au 800-222-7820.

REPLACEMENT DU FILTRE À EAU

- 1 Pour accéder au filtre à eau, tirez sur le rebord inférieur de l'assemblage de la grille et pivotez vers le haut.
- 2 Pour retirer l'ancienne cartouche, pivotez-la dans le sens antihoraire d'un quart de tour et tirez vers l'extérieur. Reportez-vous à l'illustration ci-dessous. Il est normal qu'une petite quantité d'eau s'écoule lorsque le filtre est retiré. Elle doit être essuyée avec une serviette en papier ou un chiffon.
- 3 Retirez le nouveau filtre de l'emballage et retirez le capuchon en plastique.
- 4 Insérez le nouveau filtre dans le collecteur et tournez dans le sens horaire.
- 5 Une fois le filtre installé, appuyez et tenez le bouton du filtre à eau pendant cinq secondes pour réinitialiser. Reportez-vous à l'illustration ci-dessous.



Retrait du filtre à eau



Emplacement du filtre à eau

Fonctionnement de la machine à glaçons

Pour initier la purification de la glace, touchez à ICE MAKER sur le panneau de commande. Après le démarrage initial, jetez les premiers quelques lots de glaçons. Les glaçons peuvent contenir des impuretés provenant des nouvelles connexions de plomberie.

La machine à glaçons s'activera toutes les deux heures. Si les glaçons ne sont pas utilisés régulièrement, ils peuvent se fusionner ensemble. Pour éviter ceci, jetez les glaçons et laissez la machine à glaçons se ravitailler.

Mode Shabbat

Cet appareil est certifié par star-K pour répondre à des règlements religieux rigoureux relativement à des directives précises se trouvant sur www.star-k.org.

Pour initier le mode Shabbat, pendant que l'unité est en marche, touchez à POWER sur le panneau de commande. Le mot OFF (éteint) apparaît sur l'écran du panneau de commande. Touchez et tenez POWER pendant 10 secondes jusqu'à ce que « SAb » apparaisse sur l'écran pour indiquer que le mode Shabbat a été initialisé. Les lumières, la machine à glaçons, l'alarme de la porte et le distributeur (le cas échéant) seront désactivés. Pour retourner aux conditions de fonctionnement normales, touchez à POWER.

Distributeur d'eau et de glaçons

La première fois que le distributeur d'eau sera utilisé, videz le système d'eau et le réservoir de stockage pendant trois minutes. Cela dégagera tout air dans le système, en plus des impuretés provenant des nouvelles connexions de plomberie.

Initialement, pour que l'eau soit distribuée correctement, appuyez et tenez le bouton WATER (eau) ou de distribution d'eau jusqu'à ce que l'eau s'écoule du distributeur. Il peut devoir être enfoncé pendant 60 secondes pour que l'eau remplisse le réservoir interne.

Le réservoir d'eau refroidie contient environ 40 oz (1,2 l) d'eau filtrée. Il faudra compter plusieurs heures pour refroidir l'eau à la température du réfrigérateur pendant le remplissage original ou après la distribution d'une grande quantité d'eau.

▲ MISE EN GARDE

Limitez le fonctionnement du distributeur d'eau et de glaçons à sept minutes ou moins.

Distributeur d'eau et de glaçons

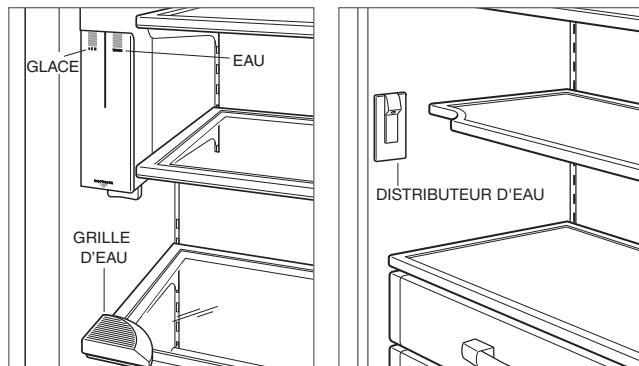
DISTRIBUTEUR INTERNE

Pour les modèles BI-42SID et BI-48SID, le distributeur d'eau de glaçons interne est conçu pour accommoder un verre de 16 oz (0,5 l). Des contenants plus gros peuvent être utilisés, mais ils peuvent compromettre l'efficacité du distributeur. Des gouttes d'eau peuvent s'accumuler dans la grille d'eau amovible située directement sous le distributeur. Reportez-vous à l'illustration ci-dessous.

FONCTION

GLACE	Appuyez et tenez pour distribuer des glaçons.
EAU	Appuyez et tenez pour distribuer de l'eau.

Pour les modèles avec un distributeur d'eau interne, le distributeur est situé à l'intérieur du réfrigérateur sur le mur gauche. Appuyez un verre contre le distributeur pour activer le débit d'eau. Le débit d'eau s'arrête lorsque le verre est retiré. Reportez-vous à l'illustration ci-dessous.



Distributeur d'eau/de glaçons interne

Distributeur d'eau interne

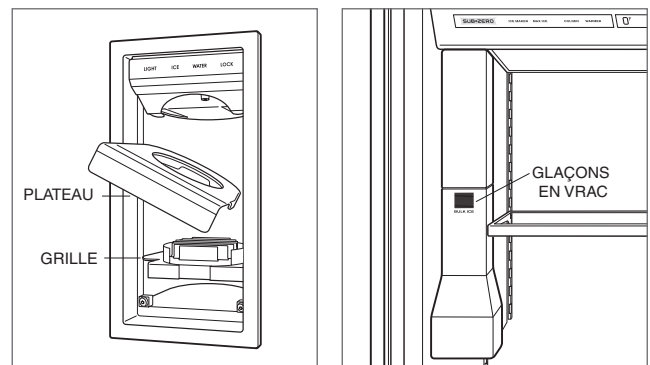
DISTRIBUTEUR EXTERNE

Des gouttes d'eau peuvent s'accumuler dans la grille d'eau amovible située au fond du puits à verre. Il ne s'agit pas d'un drain. Ne versez pas de l'eau dans la grille d'eau.

Pour de grandes quantités de glaçons, un distributeur de glaçons en vrac est situé à l'intérieur du réfrigérateur. Reportez-vous aux illustrations ci-dessous.

FONCTION


LIGHT (LUMIÈRE)	Appuyez pour faire défiler les options d'éclairage; lumières éteintes, lumières allumées et lumières du panneau de commande seulement.
ICE (GLACE)	Appuyez et tenez pour distribuer des glaçons.
WATER (EAU)	Appuyez et tenez pour distribuer de l'eau.
LOCK (BLOCAGE)	Appuyez et tenez pendant 3 secondes pour activer ou désactiver le verrouillage du distributeur. L'indicateur de verrouillage est illuminé lorsque le distributeur est verrouillé.
BULK ICE (GLAÇONS EN VRAC)	Appuyez et tenez pour distribuer de grandes quantités de glaçons.



Grille d'eau amovible

Distributeur de glaçons en vrac

Éclairage intérieur

Pour les modèles à porte en verre, l'éclairage d'appoint peut être éteint et allumé en touchant LIGHTS (lumières) sur le panneau de commande. L'indicateur  s'allume lorsque l'éclairage d'appoint est activé.

Nettoyage

NETTOYAGE INTÉRIEUR

Pour les modèles à congélateur inférieur et réfrigérateur-congélateur côte à côte, le réfrigérateur ou le congélateur peuvent être désactivés sans affecter l'autre section. Pour désactiver une section, touchez à POWER (marche). Enfoncez et tenez la touche WARMER (plus chaud) pour la section devant être désactivée, continuez à enfoncer et tenir POWER (marche). Deux tirets apparaîtront sur l'écran du panneau de commande. Répétez le processus pour remettre la section en marche.

Pour nettoyer les surfaces intérieures et toutes les pièces amovibles, lavez avec une solution douce de savon, d'eau et de bicarbonate de soude. Rincez et séchez à fond. Évitez de mettre de l'eau sur les lumières et le panneau de commande.

MISE EN GARDE

N'utilisez pas de vinaigre, de l'alcool à friction ou d'autres nettoyeurs à base d'alcool sur toute surface intérieure.

EXTÉRIEUR EN ACIER INOXYDABLE

Utilisez un nettoyant non abrasif pour l'acier inoxydable et appliquez-le avec un chiffon doux non pelucheux. Pour faire ressortir le lustre naturel, essuyez légèrement la surface avec un chiffon en microfibres humecté d'eau suivi d'un chamois à polir sec. Suivez toujours le grain de l'acier inoxydable.

Nettoyage

NETTOYAGE DU CONDENSATEUR

▲ MISE EN GARDE

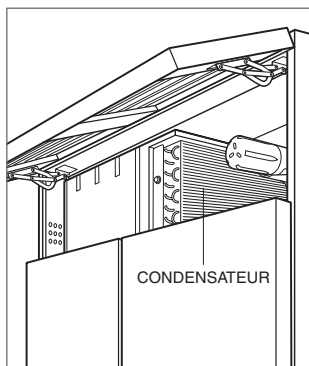
Avant de nettoyer le condensateur, coupez l'alimentation sur le panneau de commande. Portez des gants pour éviter toute blessure causée par les ailettes tranchantes du condensateur.

Le condensateur est situé derrière la grille rabattable. Pour y accéder, tirez le rebord inférieur de la grille vers l'extérieur et tournez-le vers le haut. Utilisez une brosse à soie souple et un aspirateur pour éliminer la poussière et les peluches de la zone du condensateur. Nettoyez le condensateur tous les trois à six mois. Reportez-vous à l'illustration ci-dessous.

REMARQUE IMPORTANTE : pour éviter d'endommager les ailettes du condensateur, passez l'aspirateur dans la direction des ailettes (de haut en bas).

▲ MISE EN GARDE

L'omission de nettoyer le condensateur pourrait entraîner une perte de température, une défaillance mécanique ou des dommages.



Emplacement du condensateur

VACANCES

Pour des vacances prolongées, coupez l'alimentation sur le panneau de commande. Videz l'unité et bloquez les portes en position légèrement ouverte pour laisser de l'air frais circuler et garder l'intérieur sec. Le filtre à eau doit être remplacé avant la mise en marche.

Données sur le système de filtration d'eau Sub-Zero

AVIS IMPORTANT : Lisez cette fiche de données sur la performance attentivement et comparez les capacités de cette unité avec vos besoins réels en traitement d'eau. Avant d'acheter une unité de traitement d'eau, il est recommandé de faire tester votre alimentation d'eau pour déterminer vos besoins réels en traitement d'eau.



Système testé et certifié par NSF International contre les normes NSF / ANSI 42 et 53 pour la réduction des substances énumérées ci-dessous.

La concentration des substances indiquées dans l'eau entrant dans le système a été réduite à une concentration inférieure ou égale à la limite permise pour l'eau quittant le système, comme il est précisé dans les normes 42/53 NSF/ANSI 42/53.

Réduction des contaminants*	Concentration influente moyenne	Concentration de provocation précisée par la NSF	% moyen de réduction	Concentration en eau du produit		Exigences de réduction NSF	Rapport de test NSF
				Moyenne	Max. permis		
Chlore, goût et odeur	2,0 mg/l	2,0 mg/l ± 10 %	97,5 %	0,05 mg/l	S/O	≥50 %	J-00056501
Particules normales de catégorie I, ≥0,5 à <1,0 µm	13 666 667 pts/ml	Au moins 10 000 particules/ml	98,9 %	143 333 pts/ml	S/O	≥85 %	J-00056506
Amiante	96 MF/l	10 ⁷ à 10 ⁸ fibres/l†	>99 %	<1 MF/l	S/O	≥99 %	J-00056511
Atrazine	0,010 mg/l	0,009 mg/l ± 10 %	89,3 %	0,001 mg/l	0,003 mg/l	S/O	J-00056512
Benzène	0,014 mg/l	0,015 mg/l ± 10 %	96,3 %	0,005 mg/L	0,005 mg/l	S/O	J-00056535
Carbofurane	0,08 mg/l	0,08 mg/l ± 10 %	86,6 %	0,01 mg/L	0,04 mg/l	S/O	J-00056537
Spore**	122 500 spores/l	Min. 50 000 spores/l	99,99 %	1 spore/l	S/O	≥99,99 %	J-00056513
Plomb à pH de 6,5	0,153 mg/l	0,15 mg/l ± 10 %	99,3 %	0,001 mg/L	0,010 mg/l	S/O	J-00056515
Plomb à pH de 8,5	0,150 mg/l	0,15 mg/l ± 10 %	99,3 %	0,001 mg/l	0,010 mg/l	S/O	J-00058784
Lindane	0,002 mg/l	0,002 mg/l ± 10 %	97,8 %	0,00004 mg/l	0,0002 mg/l	S/O	J-00058969
Mercuré à pH de 6,5	0,006 mg/l	0,006 mg/l ± 10 %	95 %	0,0003 mg/l	0,002 mg/l	S/O	J-00058785
Mercuré à pH de 8,5	0,006 mg/l	0,006 mg/l ± 10 %	88 %	0,0007 mg/l	0,002 mg/l	S/O	J-00058783
Toxaphène	0,015 mg/l	0,015 mg/l ± 10 %	93,2 %	0,001 mg/l	0,003 mg/l	S/O	J-00056531
Turbidité	10,8 uTN	11 ± 1 uTN	98,7 %	0,153 uTN	0,5 uTN	S/O	J-00058972
P-dichlorobenzène	0,215 mg/l	0,225 mg/l ± 10 %	99,7 %	0,0005 mg/l	0,075 mg/l	S/O	J-00056538

*Réduction des contaminants déterminée par les essais de la NSF. **Basé sur l'usage d'oocystes *Cryptosporidium Parvum*. †Fibres supérieures à 10 µm de longueur.

DIRECTIVES D'APPLICATION / PARAMÈTRES D'ALIMENTATION EN EAU

Capacité : certifié pour jusqu'à 2 839 l (750 gallons); jusqu'à douze mois

Débit de service : 0,78 gal/min (2,95 l/min)

Alimentation en eau : eau potable

Pression d'eau : 35–120 lb/po² (2,8–8,2 bars)

Température de l'eau : 40–100 °F (5–40 °C)

REMARQUES SPÉCIALES

- Des cartouches filtrantes de rechange Sub-Zero peuvent être commandées en ligne à subzero.com/store, ou communiquez avec le service à la clientèle au 800-222-7820.
- Par conséquent, il est recommandé de remplacer la cartouche filtrante lorsque l'indicateur s'affiche, s'il y a une réduction perceptible de pression, les glaçons deviennent creux ou tous les 12 mois, la première de ces éventualités prévalant. Des renseignements sur le prix du filtre de rechange se trouvent à subzero.com/store.
- Ce système doit être installé, utilisé et maintenu et les filtres remplacés au besoin afin que le produit fonctionne comme il est annoncé.
- Veuillez noter que bien que les essais aient été effectués dans des conditions de laboratoire normales, la performance réelle peut varier. Les contaminants ou les autres substances éliminés ou réduits par ce système de traitement d'eau ne se trouvent pas nécessairement dans votre eau.

Fabriqué pour : Sub-Zero, Inc., P.O. Box 44848, Madison, WI 53744 É.-U., 800-222-7820

Dépannage

INDICATEUR DE SERVICE



Illuminé. Touchez à POWER pour éteindre l'unité. Vérifiez que la zone du condensateur est propre. Touchez à POWER pour mettre l'unité en marche. Si l'indicateur est encore illuminé, communiquez avec le service à la clientèle de Sub-Zero au 800-222-7820.

Clignote. Communiquez avec un centre de service certifié par l'usine Sub-Zero.



Clignote avec un carillon audible. Communiquez avec un centre de service certifié par l'usine Sub-Zero.



Clignote. Remplacez la cartouche de purification d'air. Remplacez aussi la cartouche s'il y a une odeur à l'intérieur de l'unité.



Clignote. Remplacez le filtre à eau. Remplacez aussi le filtre si les glaçons ont mauvais goût, sont décolorés, sont petits ou si le débit d'eau du distributeur est lent.



Clignote avec un carillon audible. La porte a été laissée entrouverte pendant plus de 60 secondes. Fermez la porte.

FONCTIONNEMENT DE L'UNITÉ

Pas de lumière ou de refroidissement.

- Assurez-vous que l'unité est sous tension.
- Vérifiez l'alimentation électrique vers l'unité et que le disjoncteur de la résidence est en marche.

Pas de lumière dans le réfrigérateur ou le congélateur.

- La porte/le tiroir peuvent avoir été laissés entrouverts, ce qui a désactivé les lumières pour éliminer l'excédent de chaleur. Si les lumières sont éteintes, fermez la porte/le tiroir pendant une heure. Si les lumières sont toujours éteintes, communiquez avec le service certifié par l'usine Sub-Zero.
- L'éclairage intérieur à DEL doit être remplacé par le service certifié par l'usine Sub-Zero.

Givre, condensation ou accumulation de glace à l'intérieur de l'unité.

- Vérifiez que le condensateur est propre.
- Assurez-vous que la porte se ferme correctement.
- Vérifiez que la porte n'ait pas été laissée entrouverte.
- Vérifiez que le joint de la porte n'ait pas de coupures ou déchirures. Le cas échéant, communiquez avec le service certifié par l'usine Sub-Zero.
- Si le glaçage est épais, éteignez l'appareil et utilisez un sèche-cheveux pour faire fondre la glace. Le sèche-cheveux doit être réglé sur faible et en mouvement constamment. Une fois la glace fondue, essuyez l'eau avec un chiffon ou une serviette en papier.

Températures élevées, l'unité fonctionne de façon excessive ou émet trop de chaleur.

- Vérifiez que le condensateur est propre.
- Assurez-vous que la porte se ferme correctement.
- Vérifiez que la porte n'ait pas été laissée entrouverte.
- Des températures ambiantes élevées peuvent faire fonctionner les compresseurs plus longtemps.
- Si l'affichage de température indique 38° et 0°, mais ne refroidit pas, l'unité peut se trouver en mode de salle d'exposition. Communiquez avec le service à la clientèle de Sub-Zero à 800-222-7820.

Dépannage

PRODUCTION DE GLAÇONS

Pas de glace.

- Vérifiez que l'indicateur de glaçons apparaît sur l'écran du panneau de commande.
- Vérifiez que la machine à glaçons ait été mise en marche pendant au moins 24 heures.
- Vérifiez que la température du congélateur soit près de 0 °F.
- Vérifiez que le contenant à glace soit correctement installé.
- Vérifiez que le bras de la machine à glaçons est en position abaissée.
- Vérifiez qu'il y ait de l'eau alimentée vers l'unité.
- Vérifiez que le filtre ait été remplacé au cours des douze derniers mois et correctement installé.
- Vérifiez que le filtre à eau ait été retiré si un système de filtration à osmose inverse est utilisé.
- Vérifiez que l'indicateur de glaçons ne clignote pas. S'il clignote, touchez à MAX ICE et ICE MAKER simultanément sur le panneau de commande.

Les glaçons sont bleus ou verts.

- Possibilité de corrosion de la conduite d'alimentation en cuivre. Communiquez avec un plombier pour la faire nettoyer ou remplacer.

Flocons noirs sur les glaçons.

- Cessez d'utiliser et communiquez avec le service certifié par l'usine Sub-Zero.

Mauvais goût.

- Décongelez le congélateur et nettoyez avec de l'eau et du savon.
- Placez des marcs de café ou des briquettes de charbon dans le congélateur pour absorber l'odeur.

Glaçons creux.

- Nettoyez le condensateur. Communiquez avec le service certifié par l'usine Sub-Zero si cela ne corrige pas le problème.

ODEUR

- L'unité doit être nettoyée avant de l'utiliser la première fois. Cela éliminera les odeurs qui ont pu être captées lors de l'expédition.
- Remplacez la cartouche de purification d'air.
- Nettoyez l'unité et les tablettes à fond.
- Des aliments non couverts peuvent dégager une odeur qui peut nécessiter un nettoyage.
- Retirez et nettoyez la cuvette d'égouttement située derrière la plaque de protection et réinstallez-la.

Dépannage

SERVICE

- Préservez la qualité intégrée dans votre produit en communiquant avec un service certifié par l'usine Sub-Zero. Pour obtenir le nom du centre de service Sub-Zero certifié par l'usine le plus près de chez vous, consultez la section Contact et assistance de notre site Web, subzero.com ou appelez le service à la clientèle de Sub-Zero au 800-222-7820.
- Avant d'appeler pour obtenir du service, ayez en main les numéros de modèle et de série de votre unité. Les deux numéros sont indiqués sur la plaque signalétique du produit. Reportez-vous à la page 3 pour connaître l'emplacement de la plaque signalétique.
- Pour les besoins de la garantie, vous devrez aussi avoir la date d'installation et le nom de votre dépositaire Sub-Zero autorisé. Ces renseignements doivent être notés à la page 2.

Sub-Zero, Sub-Zero & Design, Sub-Zero & Snowflake Design, Dual Refrigeration, The Living Kitchen, Great American Kitchens The Fine Art of Kitchen Design, Wolf, Wolf & Design, Wolf Gourmet, W & Design, les boutons de couleur rouge, Cove et Cove & Design sont des marques déposées et de service de Sub-Zero Group, Inc. et ses filiales. Toutes les autres marques de commerce appartiennent à leurs propriétaires respectifs aux États-Unis et dans d'autres pays.

Garantie limitée des produits Sub-Zero

POUR UNE UTILISATION RÉSIDENIELLE SEULEMENT

GARANTIE COMPLÈTE DE DEUX ANS*

Pendant deux ans à compter de la date d'installation originale, votre garantie de produit Sub-Zero couvre toutes les pièces et la main d'œuvre pour réparer ou remplacer, selon un usage résidentiel normal, toute partie du produit qui s'avèrerait défectueuse en vertu des matériaux ou de la fabrication. Le service fourni par Sub-Zero en vertu de la garantie ci-dessus doit être effectué par un centre de service Sub-Zero certifié par l'usine, à moins d'être précisé autrement par Sub-Zero, Inc. Le service sera fourni pendant les heures normales d'ouverture.

GARANTIE COMPLÈTE DE CINQ ANS SUR LE SYSTÈME SCELLÉ

Pendant cinq ans à compter de la date d'installation originale, votre garantie de produit Sub-Zero couvre toutes les pièces et la main d'œuvre pour réparer ou remplacer, selon un usage résidentiel normal, le compresseur, le condensateur, l'évaporateur, le séchoir et tous les tuyaux de connexion qui s'avèreraient défectueux en vertu des matériaux ou de la fabrication. Le service fourni par Sub-Zero en vertu de la garantie ci-dessus doit être effectué par un centre de service Sub-Zero certifié par l'usine, à moins d'être précisé autrement par Sub-Zero, Inc. Le service sera fourni pendant les heures normales d'ouverture.

GARANTIE LIMITÉE DE DOUZE ANS SUR LE SYSTÈME SCELLÉ

Pendant douze ans à compter de la date d'installation originale, votre garantie de produit Sub-Zero couvre toutes les pièces pour réparer ou remplacer, selon un usage résidentiel normal, le compresseur, le condensateur, l'évaporateur, le séchoir et tous les tuyaux de connexion qui s'avèreraient défectueux en vertu des matériaux ou de la fabrication.

CONDITIONS S'APPLIQUANT À CHAQUE GARANTIE

La garantie s'applique uniquement aux produits installés pour un usage résidentiel normal. La garantie s'applique seulement aux produits installés dans l'un des cinquante états des États-Unis, dans le District of Columbia ou les dix provinces du Canada. Cette garantie ne couvre pas les pièces ou la main d'œuvre pour corriger tout défaut causé par de la négligence, un accident ou une utilisation, un entretien, une installation, un service ou une réparation inappropriés.

LES REMÈDES DÉCRITS CI-DESSUS POUR CHAQUE GARANTIE SONT LES SEULS OFFERTS PAR SUB-ZERO, INC. EN VERTU DE CETTE GARANTIE OU DE TOUTE GARANTIE DÉCOULANT DE L'OPÉRATION DE LA LOI. SUB-ZERO, INC. NE SERA PAS RESPONSABLE DES DOMMAGES INDIRECTS OU CONSÉCUTIFS ISSUS DE LA VIOLATION DE CETTE GARANTIE OU DE TOUTE AUTRE GARANTIE, EXPRESSE, IMPLICITE OU LÉGALE.

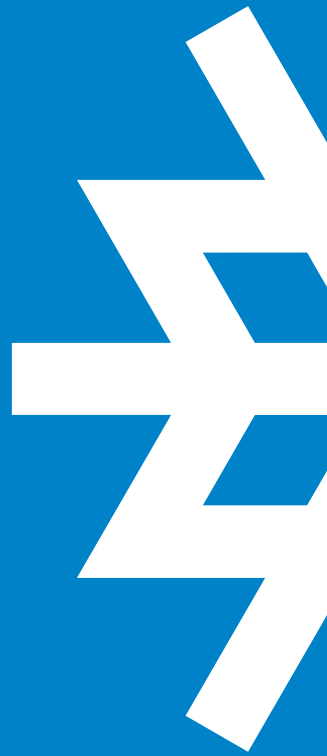
Certaines provinces ne permettent pas l'exclusion ou la restriction des dommages indirects ou consécutifs, par conséquent, la limite ou l'exclusion ci-dessus peut ne pas s'appliquer à votre cas. Cette garantie vous confère des droits légaux précis et vous pouvez aussi avoir d'autres droits légaux qui peuvent varier d'une province à l'autre.

Pour obtenir des pièces et/ou du service et le nom du centre de service Sub-Zero certifié par l'usine le plus près de chez vous, communiquez avec Sub-Zero, Inc., P.O. Box 44848, Madison Wisconsin, 53744 É.-U.; vérifiez la section Contact et assistance de notre site Web, subzero.com, ou composez le 800-222-7820.

*Les portes, les panneaux, les poignées, les cadres et les surfaces intérieures en acier inoxydable du produit sont couverts par une garantie limitée de 60 jours sur les pièces et la main d'œuvre pour toute défectuosité cosmétique.

*Les cartouches du filtre à eau et de purification d'air de rechange ne sont pas couvertes par la garantie du produit.





SUB-ZERO, INC. P.O. BOX 44848 MADISON, WI 53744 SUBZERO.COM 800.222.7820

9029691 REV-A

4/2019

