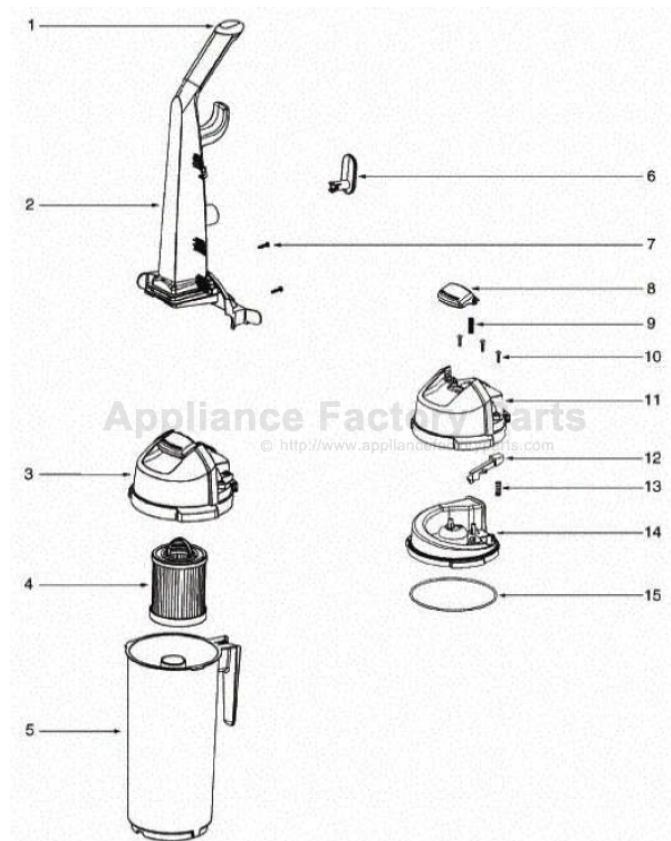


This Owner's Manual is provided and hosted by [Appliance Factory Parts](http://www.appliancefactoryparts.com).



Eureka 5859ASZ Owner's Manual

[Shop genuine replacement parts for Eureka 5859ASZ](#)

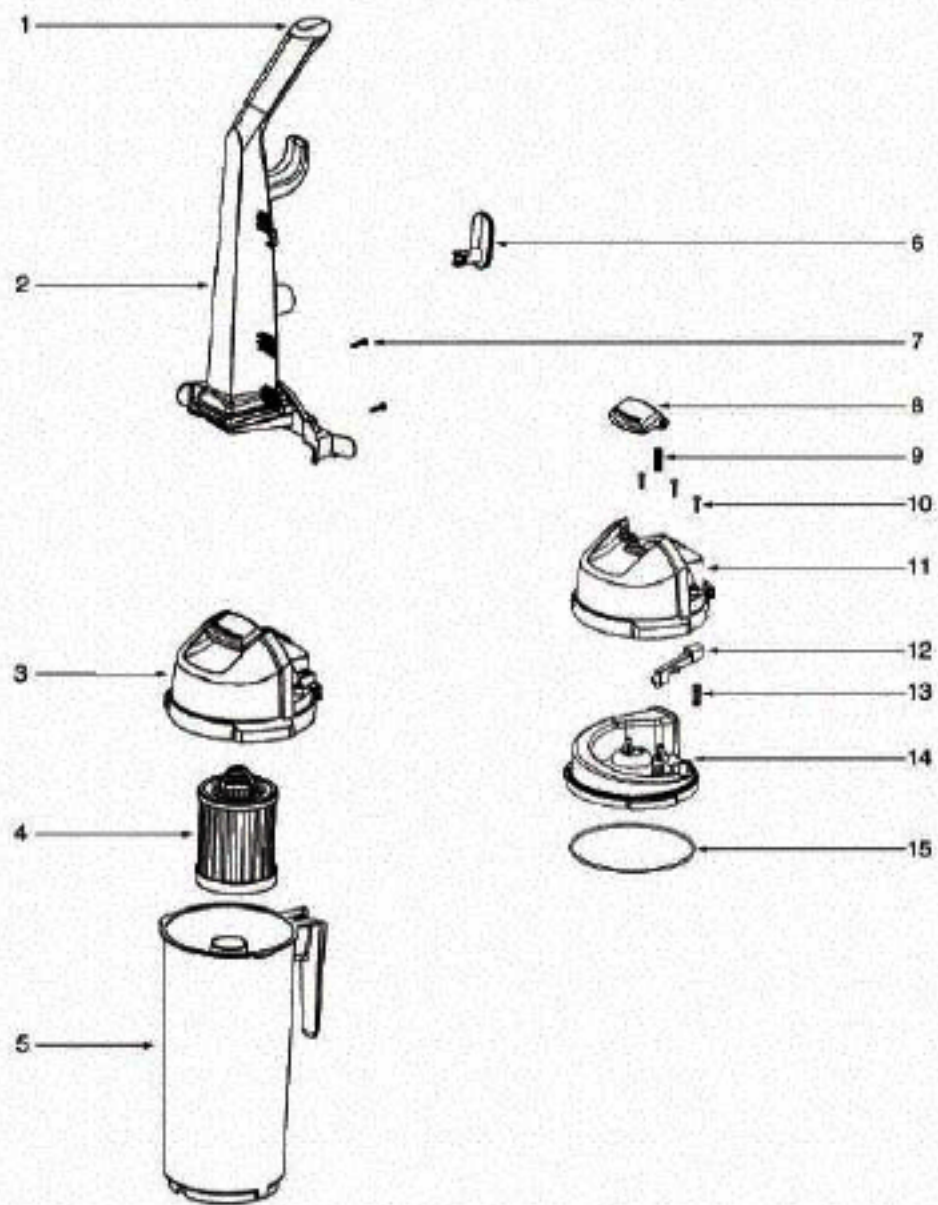


[Find Your Eureka Vacuum Cleaner Parts - Select From 855 Models](#)

----- Manual continues below part list -----

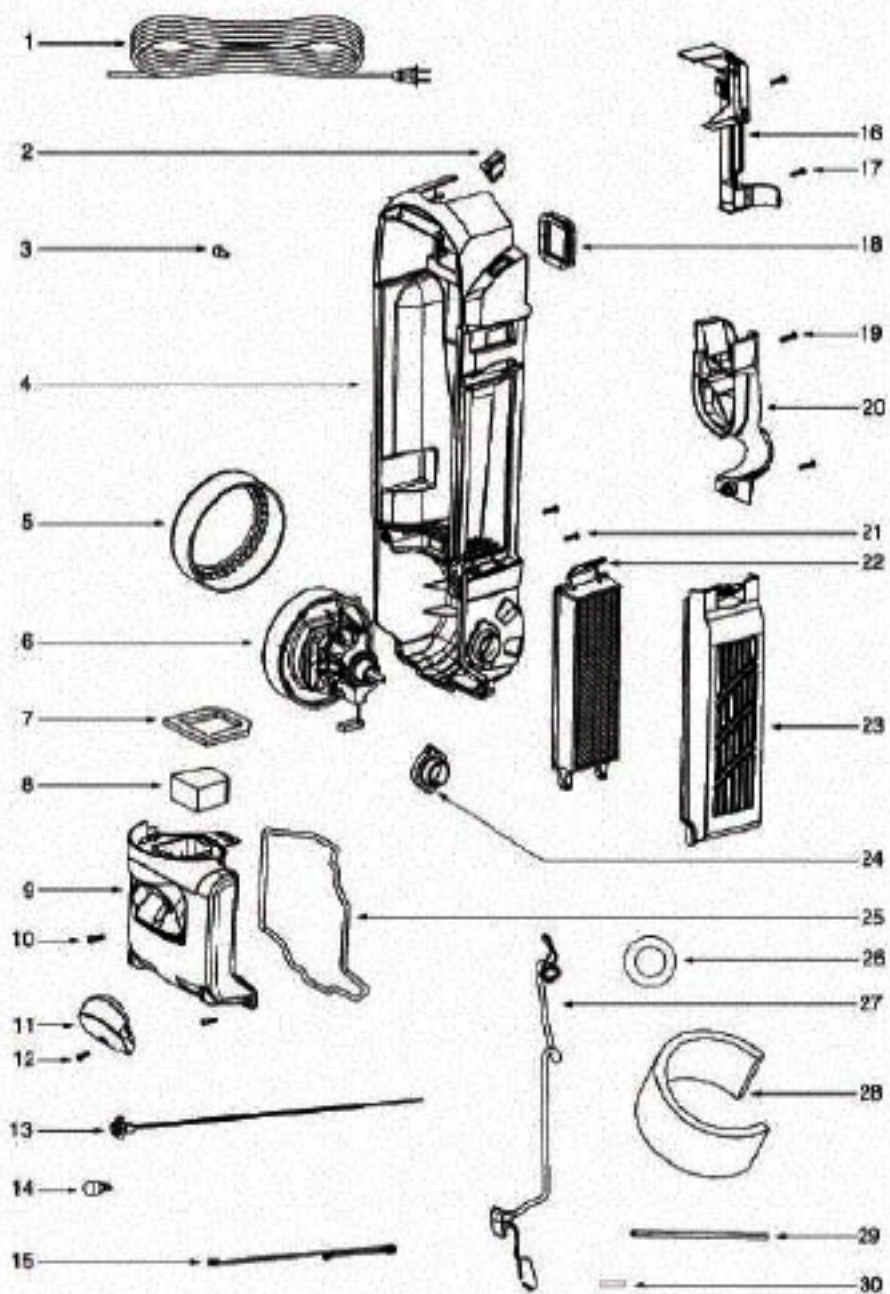
Available Replacement Parts for Eureka 5859ASZ

e-39266	BELT OEM EUREKA EXTENED LIFE 1 PACK
E-61830	STYLE HF5 EUREKA HEPA FILTER
E-71492	WAND, NESTING W/CREVICE TOOL
e-60990-2	BRUSH
E-71725-313N	ADAPTER-HOSE
E-61865-4	hose assembly cartoned
ER-2028	ROLLER



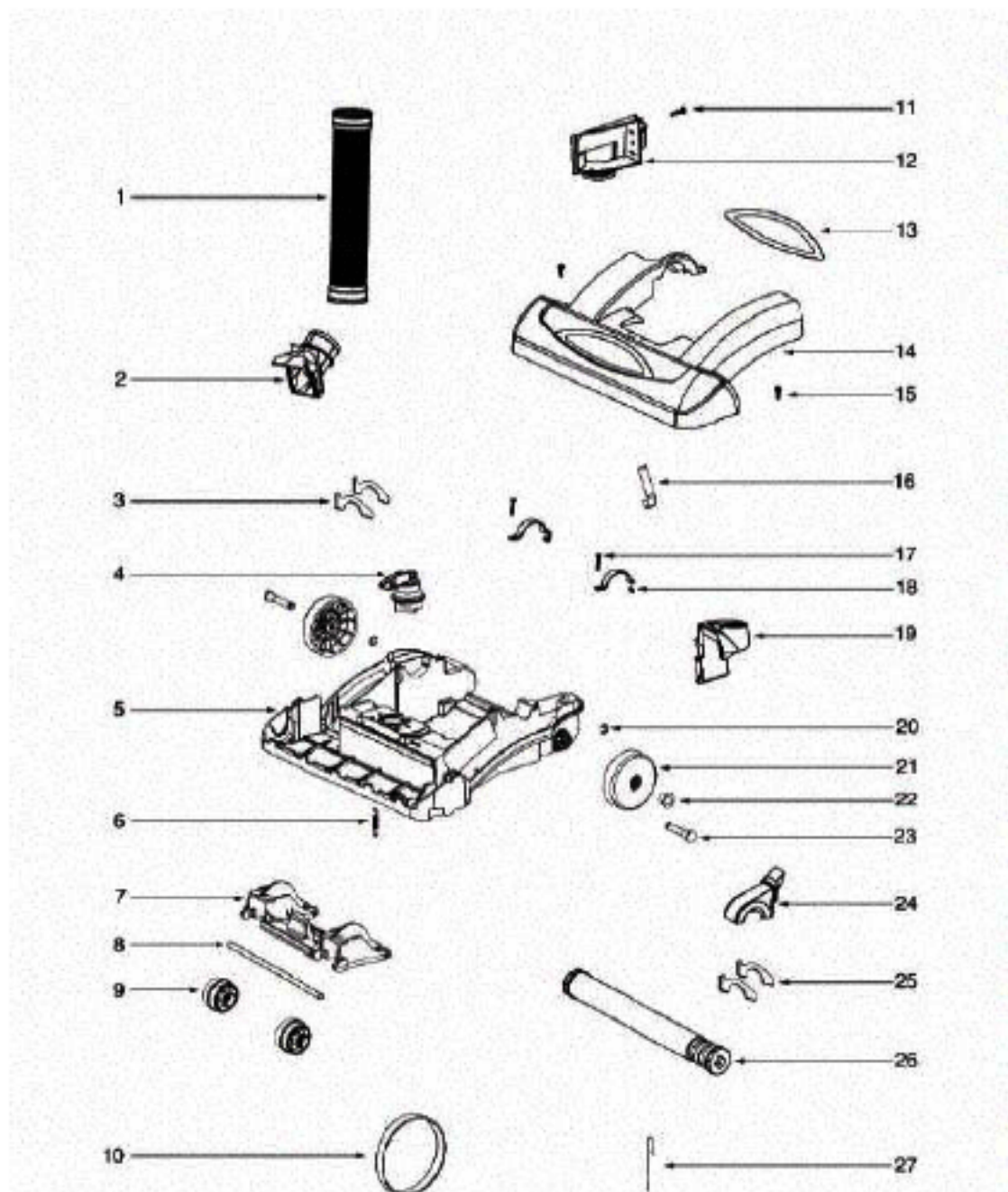
5859ASZ - Handle and Dust Cup - LiteSpeed Whirlwind, Includes Clear Lite 169A

Ref #	Part	Description	Comments	Qty
1	71235-119N	CAP - HANDLE		
2	71473A	HANDLE ASSEMBLY	Include items 1 & 5	
3	71537-20	CYCLONE ASSEMBLY	Includes items 8, 9, 10, 11, 12, 13, 14 & 15	
4	61825	DUST CUP FILTER PACKAGE D		
5	61864-1	DUST CUP ASSY - PKGD		
15	71475	GASKET - CYCLONE		
14	71451-119N	CYCLONE		
13	61867	SPRING PACKAGE		
12	71785-119N	CATCH - FILTER IN PLACE		
11			With item 14 complete only.	
10	53238-27	SCREW PACKAGE		
9	61866	SPRING PACKAGE		
8	71479-355N	LATCH - DUST CUP		
14	53238-44	SCREW PACKAGE	Pkg of 10	
6	70864A-119N	HOOK - CORD		
9	61866	SPRING PACKAGE	Pkg of 5	



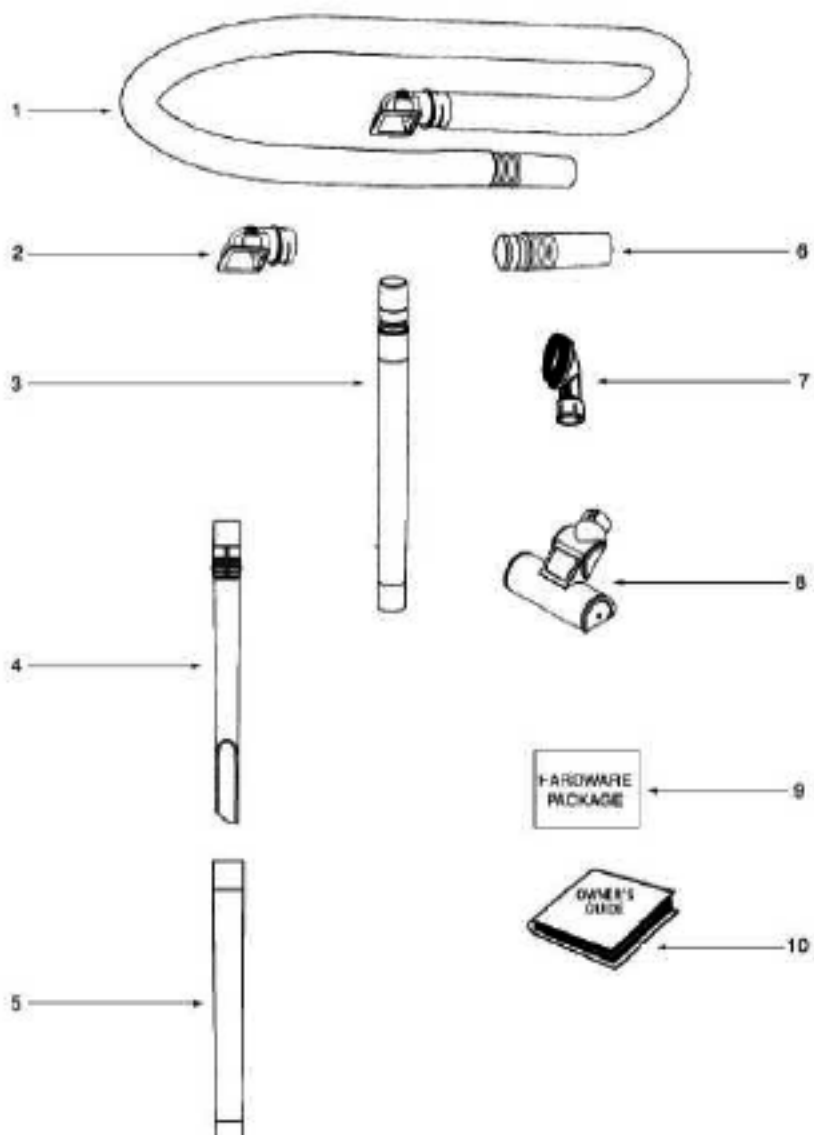
5859ASZ - Main Body - LiteSpeed Whirlwind, Includes Clear Lite 169A

Ref #	Part	Description	Comments	Qty
1	39585-2	SUPPLY CORD & TERMINAL ASS		
2	39455-1	SWITCH - ROCKER		
3	60192-1	WIRE SPLICE 5		
4	72126B	REAR HOUSING ASSEMBLY		
5	71649	GASKET - MOTOR CAN (Eurok		
6	60261-11	This part is obsolete and there is no substitute available.		
7	71483	GASKET - DIRT CUP LOWER		
8	71480	FILTER - PRE-MOTOR		
9	61863-16	MOTOR COVER ASSY - PACKAG		
10	53238-27	SCREW PACKAGE		
11	71460-313N	LENS - HEADLAMP		
12	53238-44	SCREW PACKAGE		
13	70701-2	SOCKET & TERMINAL ASSY		
14	57940-3	LAMP - HEADLIGHT		
15	39252-1	THERMOSTAT & TERMINAL ASS		
16	72167	PLUG		
29	70651-1	TUBE - FLEXIBLE		
28	72224-1	FOAM - SOUND		
27	71485	CORD - JUMPER		
26	71969-1	GASKET - MOTOR HUB		
25	71484	GASKET - MOTOR COVER		
24	70084	BUSHING - MOTOR SUPPORT		
23	72006-4	FILTER COVER & GRAPHICS A		
22	61830	HEPA FILTER PKG - STYLE H		
20	71455-119N	TOOL PACK - LOWER		
18	71482	GASKET - INTAKE		



5859ASZ - Base Hood - LiteSpeed Whirlwind, Includes Clear Lite 169A

Ref #	Part	Description	Comments	Qty
1	72001	BASE HOSE ASSY		
2			On base hose only.	
3	73153	FELT - BASE		
4	71448-355N	KNOB - HEIGHT ADJUSTMENT		
5	61877-8	BASE ASSEMBLY - PACKAGED		
6	54943	SPRING PACKAGE		
7	71446A-119N	CARRIAGE - WHEEL		
8	71478	AXLE - FRONT		
9	39173A-119N	WHEEL - FRONT		
10	61120A	BELT PKG ASSY-STYLE U EXT		
11	38053	GUARD - BELT		
12			On base hose only.	
13			On hood assy only.	
14	61878-23		Includes item 13.	
15	53238-44	SCREW PACKAGE	Pkg. of 10	
16	71574	SPRING - HANDLE RELEASE		
17	53238-27	SCREW PACKAGE	Pkg of 10	
18	71487	CLAMP - MOTOR		
19	71457-355N	RELEASE - HANDLE		
20	54432-1	PACKAGE - RETAINING RING	Pkg of 10	
21	72117-119N	WHEEL - REAR		
22	72113-1	BUSHING - AXLE		
23	38590A	AXLE - REAR		
25	73152	FELT - BELT CAP		
26	62228-3	BRUSHROLL ASSEMBLY - CART		
27	38053	GUARD - BELT		
24	71741A	BELT CAP ASSEMBLY		



5859ASV - Accessories - LiteSpeed Whirlwind, Includes Clear Lite 169A

Ref #	Part	Description	Comments	Qty
1	61865-4	HOSE ASSEMBLY - CARTONED		
2	71725-313N	ADAPTER - HOSE		
6	70559A-119N	COUPLING - HOSE		
4	71492A	NESTING WAND ASSEMBLY		
7	60990-2	COMBINATION BRSH BRSTLD-C		
8	28612A-1	TURBO NOZZLE ASSY (MODEL		
9	72322	PACKAGE - HARDWARE		
10	71496C	OWNER'S GUIDE		
4	71956A-355N	WAND - CREVICE		
5	71973-119N	WAND - OUTER		