

This Owner's Manual is provided and hosted by [Appliance Factory Parts](#).



SUBZERO IC-27R Owner's Manual

[Shop genuine replacement parts for SUBZERO IC-27R](#)



Appliance Factory Parts
© <http://www.appliancefactoryparts.com>

[Find Your SUBZERO Refrigerator Parts - Select From 117 Models](#)

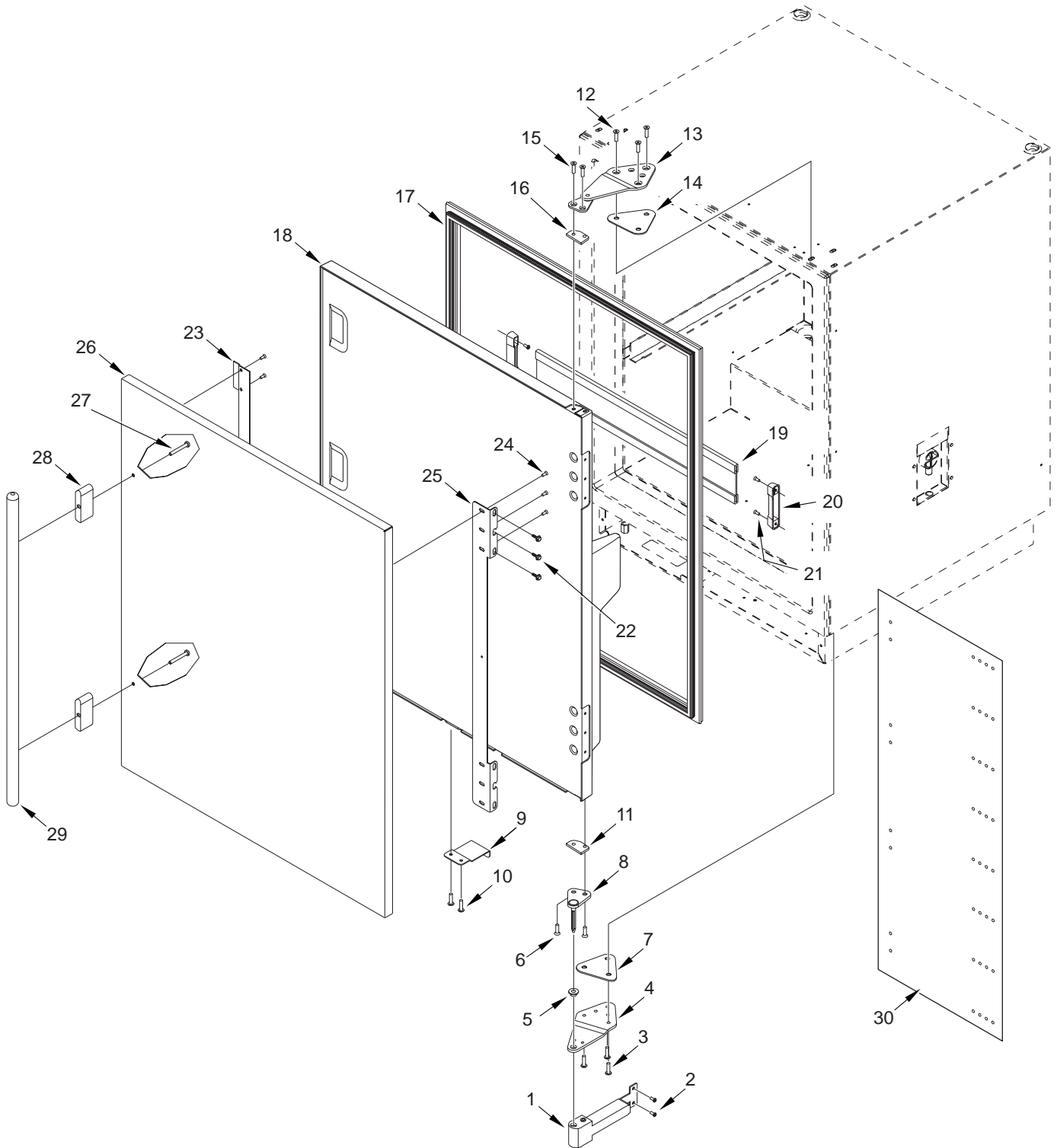
----- Manual continues below -----



UC-24C DOOR PARTS LIST

<u>Ref #</u>	<u>Part #</u>	<u>Description</u>
1	3540810	Closer, Door 150Lb
2	6200780	Screw, #10-24 x 1/2" PH Hex Washer
3	6200780	Screw, #10-24 x 1/2" PH Hex Washer
4	3541111	Hinge, Cabinet Bottom- Black
5	NA	Part of Bottom Door Hinge Assembly (see Ref #8)
6	6110610	Screw, #10-24 x 3/4 FL Socket HD
7	7002351	Spacer, Hinge Bottom Svce
8	3541093	Hinge, Door Bottom - RH Black
	3541094	Hinge, Door Bottom - LH Black
9	7001959	Depressor, Switch Svce
10	6110020	Bolt, #10-24 x 3/8" Truss HD
11	7001899	Spacer, Hinge Svce
12	6110540	Bolt, #10-24 x 1/2" Flat Socket HD (Silver)
13	3541121	Hinge, Cabinet Top Assy Black
14	7002350	Spacer, Hinge Top Svce
15	6110610	Screw, #10-24 x 3/4 FL Socket HD
16	7001899	Spacer, Hinge Svce
17	7002000	Gasket, Door Svce
18	7002455	Door Assy, RH Svce
	7002456	Door Assy, LH Svce
		NOTE: Door Assemblies Include Gasket, Shelf and Switch Depressor; Do not include Hinges
19	7001896	Retainer, Shelf svce
20	7001895	Clip, Retainer Svce
21	6201260	Screw, #6 X 3/8" PH FT Head
22	6201500	#10X3/4 Drill PH Hex Wash
23	7001897	Bracket, Panel Svce (Handle Side)
24	6200720	#8-18 x 1/2 PH Truss HD
25	7001898	Bracket, Panel Svce (Hinge Side)
26	7001381	Kit, Panel U/C (Sales Accessory)
27	6110640	Bolt,#10-24 X 1-1/2 RD HD (Part of SA #7001381)
28	3512190	Standoff, SS Oval (Part of SA #7001381)
29	3512030	Handle, Door SS 3/4X24.188 (Part of SA #7001381)
30	7004419	Template, Drilling Svce (For Overlay Door Panels)

UC-24C DOOR VIEW





UC-24C COSMETIC PARTS LIST

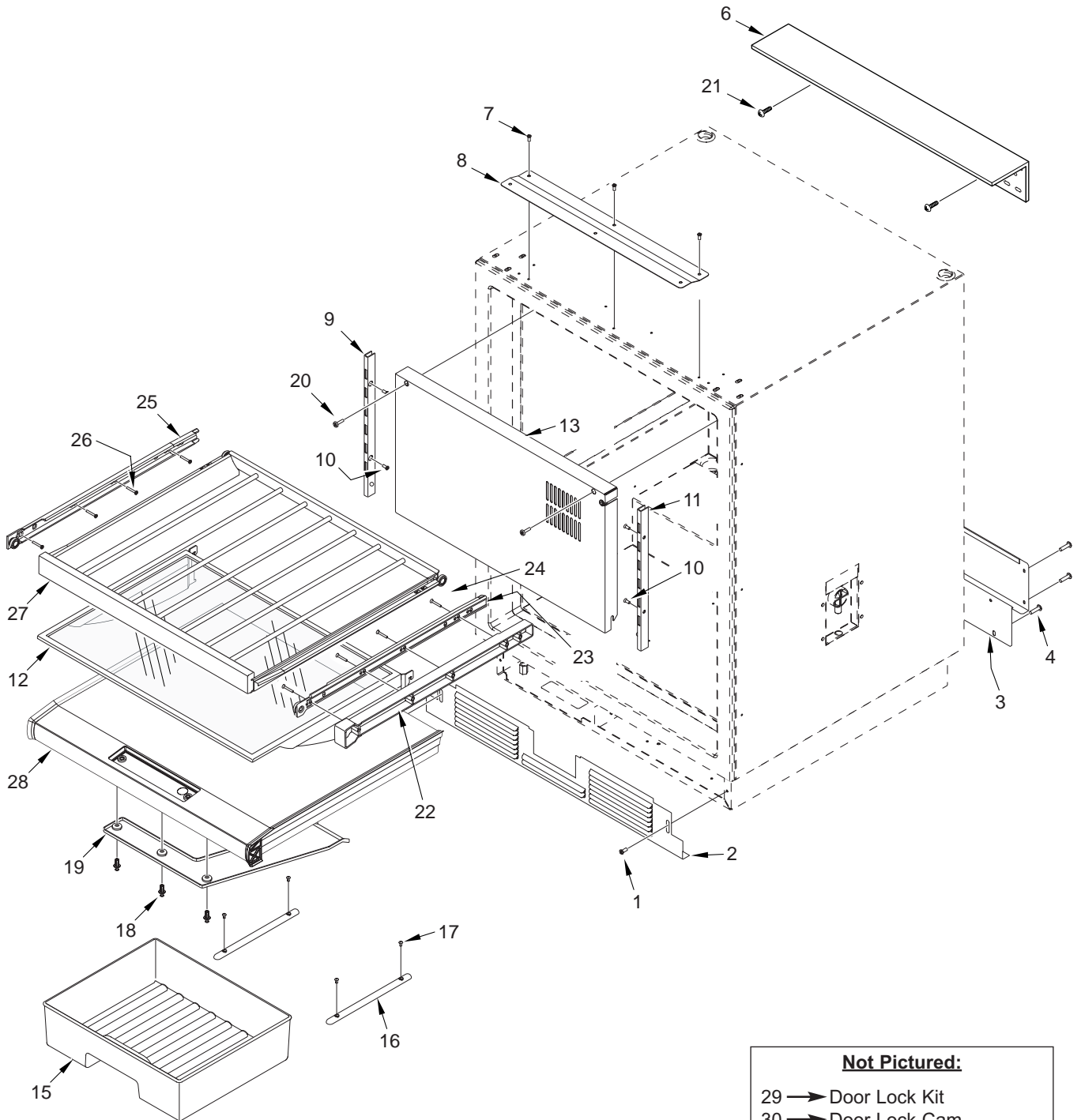
<u>Ref #</u>	<u>Part #</u>	<u>Description</u>
1	6200050	Screw, #10-12 x 1/2" Pan HD
2	7002354	Kickplate, Black Svce
	7004423	Kickplate, UC, For Lock, Svce (Black Kickplate for UCLOCK Kit)
	7004424	Kickplate, UC SS For Lock, Svce (Silver Kickplate for UCLOCK Kit)
3	7002139	Cover, Unit Svce
4	6201270	Screw, #8-18 x 5/8" PH PN SS-Gnd
5	NA	
6	0168810	Anti Tip Bracket - 23-7/8"
7	6200780	Screw, #10-24 x 1/2" PH Hex Washer
8	3421980	Bracket, Ref to Countertop
9	7002214	Shelf Ladder, LH Svce
10	6200710	Screw, #8-18 X 1/2 PH SS Type AB
11	7002213	Shelf Ladder, RH Svce
12	7001876	Shelf, Cantilever Svce
13	7002199	Cover, Liner Svce
14	NA	
15	7002215	Bin, Ice Svce
16	7002216	Slide, Ice Bin Svce
17	6180290	Snap Rivet, Plastic
18	6180330	Rivet, Plastic 1/4 DIA
19	7002219	Cover, Wire Svce
20	6201270	Screw, #8-18 x 5/8" PH PN SS-Gnd
21	4260720	Kit, Install Hardware
22	7002204	Spacer, Slide Svce (Hinge Side)
23	7002211	Slide, Cabinet RH Svce
24	6201240	Screw, #8 x 1-3/8" A#7 PH FT Head (Hinge Side)
25	7002212	Slide, Cabinet LH Svce
26	6201230	Screw, #8 x 7/8" A#7 PH FT Head (Handle Side)
27	7002198	Shelf Assy, Wine Svce
28	7002217	Mullion Assy, Svce
	7002218	Gasket, Mullion Svce

Not Pictured:

29	7001575	Kit, Lock (UCLOCK Kit, Includes Lock Components & Kickplates)
30	7004425	Cam, Lock Svce (Part of UCLOCK Kit)



UC-24C COSMETIC VIEW





UC-24C MECHANICAL PARTS LIST

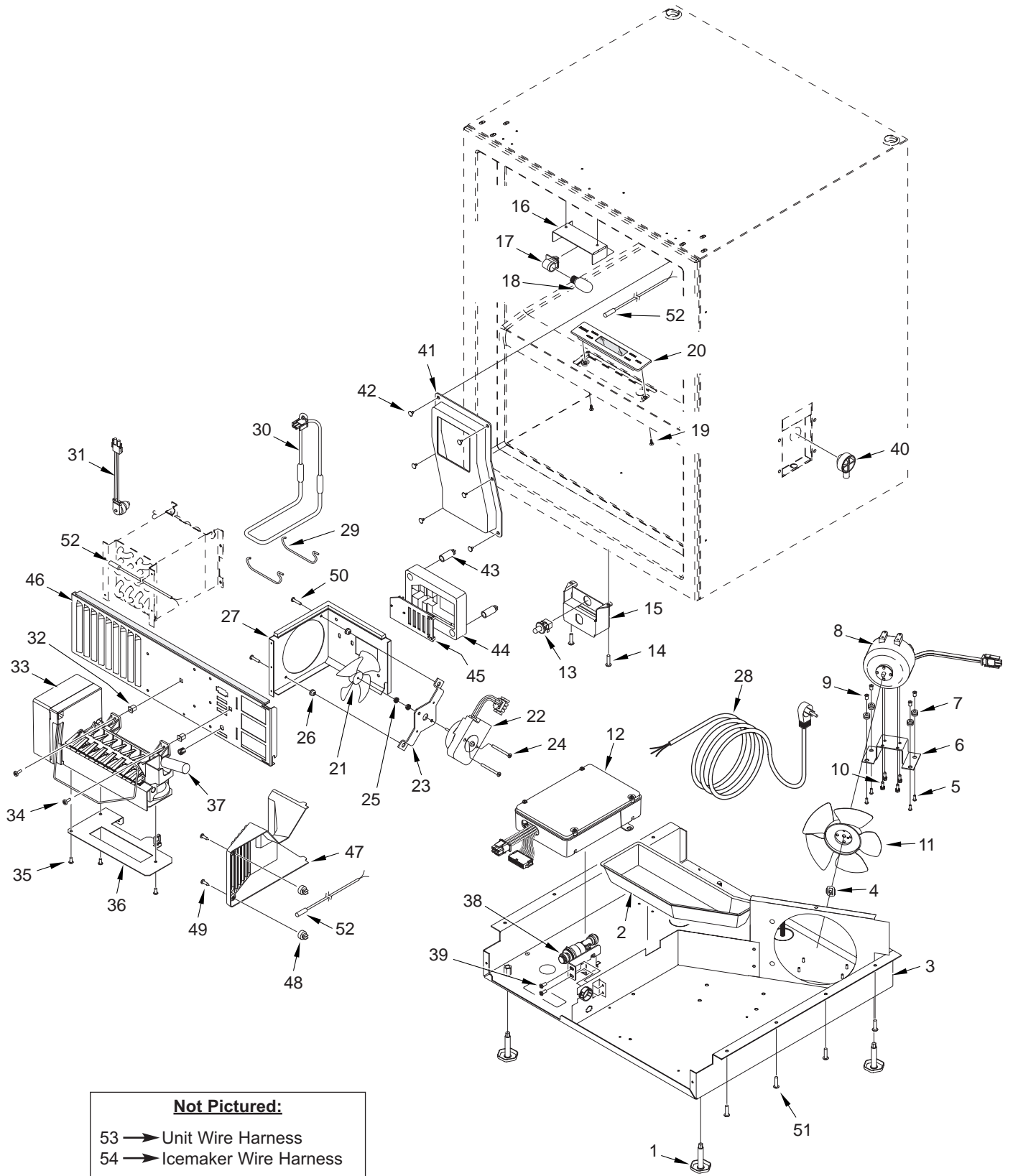
<u>Ref #</u>	<u>Part #</u>	<u>Description</u>	<u>Ref #</u>	<u>Part #</u>	<u>Description</u>
1	3570050	Leveling Leg, #18-3/8 x 1"	29	1811100	Clip, Heater
2	7002138	Drain Pan, Svce	30	7004261	Heater Assy, Defrost Svce
3	7002679	Unit Tray Assy, Svce	31	3082060	Terminator, Defrost
4	6150410	Nut, 1/4-20	32	6220220	Screw Grommet, 1/32 x 3/8" SQ
5	6200610	Screw, #6-32 x 3/8" PH Rd Hd, Zinc	33	4200520	Ice Maker Assy, Replacement
6	0263131	Bracket, Condenser Srvc	<i>(See IM Breakdown at back of this parts manual)</i>		
7	3220160	Grommet, 3/16" x 7/16" x 9/32"		7002234	W/H, Icemaker Svce (Not Shown)
8	3150930	Motor, Condenser 1 WATT		6120360	Clip, Snap-In Wire (Not Shown)
9	6220290	Stand-Off, #6-32	34	6200120	Screw, #10-12 x 1/2" Truss HD (SS)
10	6201580	Screw,#8-36 X 1/2 Nylon Patch	35	6201000	Screw #8-32 X 3/8 Thread Forming
11	3150940	Blade, Condenser Fan	36	7002233	Bracket, Icemaker Svce
12	7002137	Control Assy, U/C Svce	37	2605405	Tube, Extension Fill
13	7004258	Switch, Light Black Svce	38	7004267	Valve, Water Quick connect Svce
14	6110020	Bolt, #10-24 x 3/8" Truss HD		3026450	Tube, Plastic Water Pex
15	7002358	Bracket, Switch Svce	39	6201270	Screw, #8-18 x 5/8" PH PN SS-Gnd
16	0212932	Bracket, Light SRVC-Base	40	1607600	Tube, Inlet
17	3050220	Socket, Light Int Base Sngl	41	7002232	Duct, Ref Svce
18	3030060	Bulb, Light 25W 1X2-1/2	42	6201890	Screw, #8-15 X 3/8" 6 Lobe Trhd
19	6200860	Screw, #8 x 1/2" PH TRDH Hi-lo	43	6160310	Standoff, Nylon 1"
20	7002136	Display Assy, Over/Under Svce	44	7002231	Duct, Baffle Svce
21	3150520	Blade, Fan 4"	45	3014140	Control, Baffle
22	7003817	Motor,Fre Fan,Svce	46	7002229	Cover, Evap Svce
23	0260360	Bracket, Fan Ref	47	7002356	Duct, Air Svce
24	6201820	Screw, #8-32X1 3/4 SS PNHD	48	6220230	Screw Grommet, 1/4" x 5/8" Rd.
25	6201450	Nut,#8-32 KEPS	49	6201290	Screw, #8-15 PH PN HD SS, White
26	6150850	Wellnut, #8-32	50	6201470	Screw, #8-32X3/4 SS
27	7002230	Shroud, Fan Svce	51	6110020	Bolt, #10-24 x 3/8" Truss HD
28	7002602	Cord, Power Svce	52	4204740	Therm Asm, Srvc

Not Pictured:

53	7002236	W/H, Over/Under Svce
54	7002234	W/H, Icemaker Svce



UC-24C MECHANICAL VIEW



**UC-24C SEALED SYSTEM PARTS LIST**

<u>Ref #</u>	<u>Part #</u>	<u>Description</u>
1	7002177	Compressor, Svce (EMU45HSC) (Includes Electricals and Drier)
2	7000964	Electricals, Compressor, EMU45
	3112500	Capacitor, 12 Mf
	3112420	Term Cvr Spring, EGZ80
3	3014230	Filter-Drier, High Side
4	7002176	Condenser, Svce (Includes Drier)
5	3150010	Mount, Rubber #70456-1
6	6160030	Spacer, 5/16 x 7/16 x 5/8"
7	6240050	Washer, Flat 5/16"
8	6240090	Lock Washer, 5/16"
9	6150220	Nut, 5/16-18 Hex Zinc
10	3014100	Drier, Suct Line (Service Only)
11	7002197	Evap, Fre Svce
	7002175	Evap Assy, Svce (Includes Heat Exchanger, Heater, Terminator & Drier)

UC-24C SEALED SYSTEM VIEW

