



[www.essco.net](http://www.essco.net)

**E-53444-9 BASE ASS'Y.**

E-24964A CAM (R.H.)

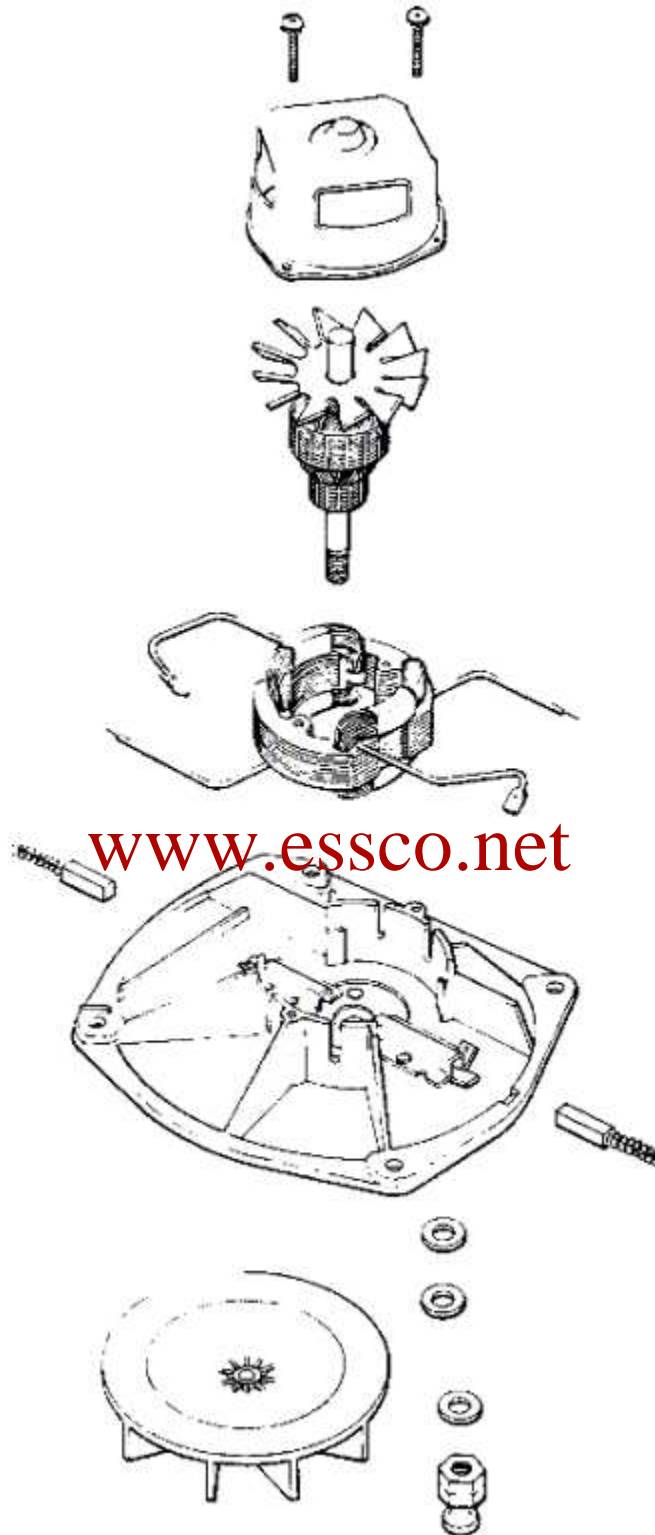
E-24965A CAM (L.H.)

E-53118 RIVET (PKG. 10 2 USED)

E-53133 WASHER (PKG. 10 2 USED)

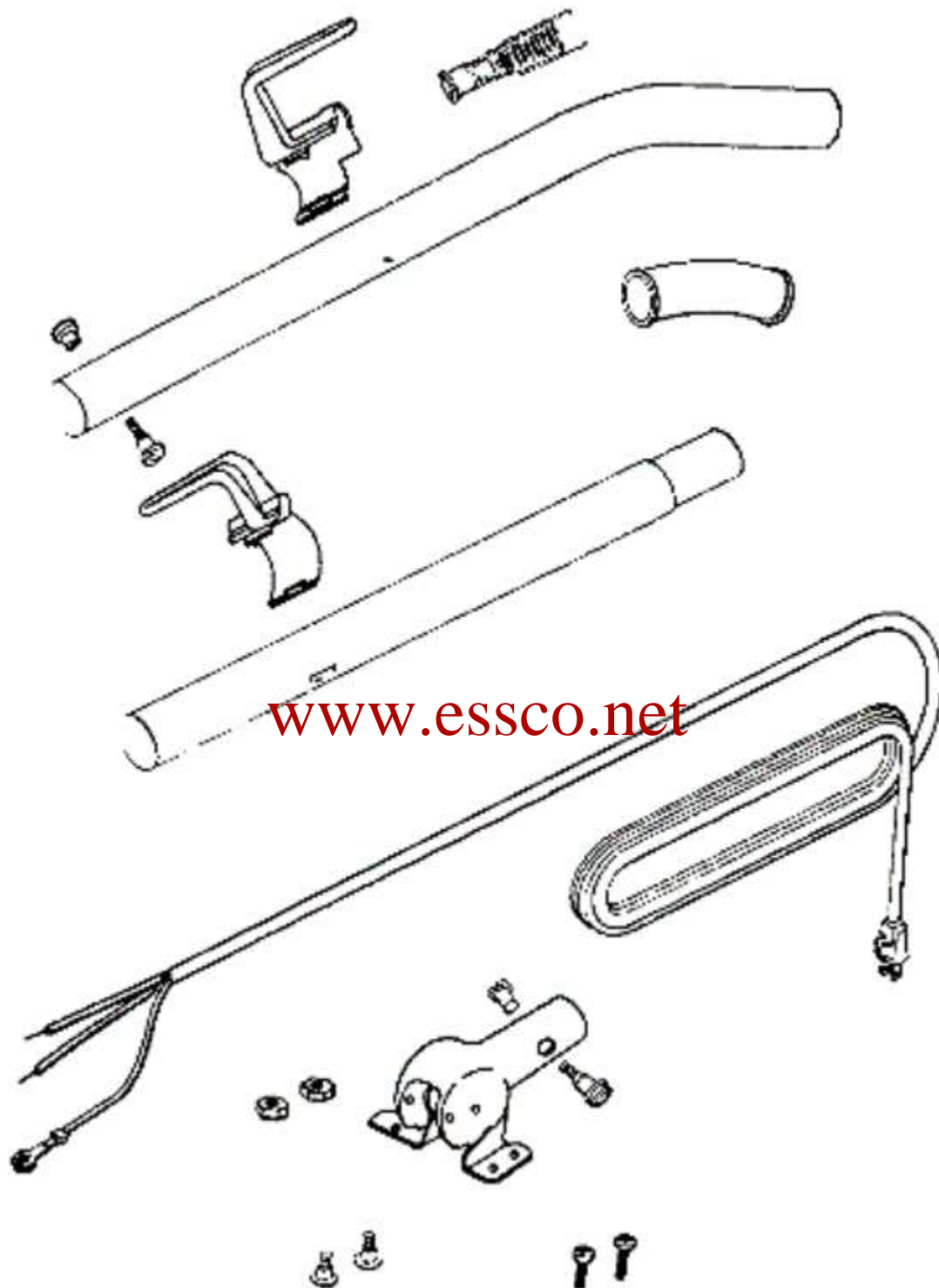
Ref #	Part	Description	Comments	Qty
1	E-14660-1	BUTTON - SWITCH		
2	E-24834A-1	PEDAL - FOOT		
3	E-24964A	CAM (RIGHT)		
4	E-24965A	CAM (LEFT)		
5	E-30517	GASKET - MOTOR SEAL		
6	E-36263	COVER - WHEEL		
7	E-37034	SPRING - ADAPT RETAINER		
8	E-37989	CLIP - SWITCH		
9	E-38052-2	KNOB ASSY		
10	E-38218-1	BRACKET - BUSHING		
11	E-38314	SEPARATOR ASSEMBLY		
12	E-53097	SPRING - FOOT PEDAL PKG (		
13	E-53118	RIVET - SHOULDER PACKAGE		
14	E-53133	STEEL WASHERS - PACKAGE 1		
15	E-53140	CLAMP & SCREW ASSY PKG		
16	E-53143	SCREW PACKAGE (10)		
17	E-53214-1	WIRE SPLICE 5		
18	E-53215-5	SCREW PACKAGE		
19	E-53238-11	SCREW PACKAGE		
20	E-53238-14	SCREW PACKAGE		
21	E-53349-8	MOTOR ASSEMBLY - CARTONED		
22	E-53444-9	BASE ASSEMBLY - CARTONED		
23	E-53833-2	NUT PACKAGE		
24	E-54151-2	SWITCH ASSEMBLY		
25	E-54314-2	HOOD & GRAPHICS ASSY - PK		
26	E-55015	CLIP - WIRE		

[www.essco.net](http://www.essco.net)



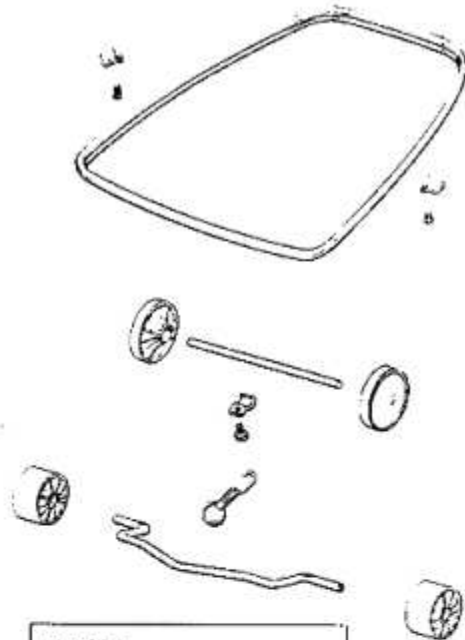
Ref #	Part	Description	Comments	Qty
1	E-12988-1	FAN BLOWER - MOTOR		
2	E-25172A-1	MOTOR BRUSH ASSEMBLY		
3	E-37012-2	PULLEY - MOTOR DRIVE		
4	E-53131-1	SCREW PACKAGE (10)		
5	E-53148	WASHER - FAN PACKAGE (10)		
6	E-53188-1	WASHER PACKAGE		
7	E-53470-3	ARMATURE - CARTONED		
8	E-53901-2	FIELD ASSEMBLY - PKG		
9	E-54171-1	MOTOR BASE ASSEMBLY		

[www.essco.net](http://www.essco.net)



Ref #	Part	Description	Comments	Qty
1	E-12637-8	TUBE - HANDLE (LOWER)		
2	E-25329-20	HANDLE ASSEMBLY (UPPER)		
3	E-35293-8	GRIP - HANDLE		
4	E-38183-1	HANDLE SOCKET ASSEMBLY		
5	E-38495	SPRING - STRAIN RELIEF PK		
6	E-52370-14	CORD & TERMINAL ASSY 30 8		
7	E-53145	BOLT PACKAGE (10)		
8	E-53198-1	HANDLE SCREW ASSY PACKAGE		
9	E-53213-5	NUTS - PACKAGE 10		
10	E-53238-13	SCREW PACKAGE		
11	E-53574-1	CORD RETAINER SET		

[www.essco.net](http://www.essco.net)

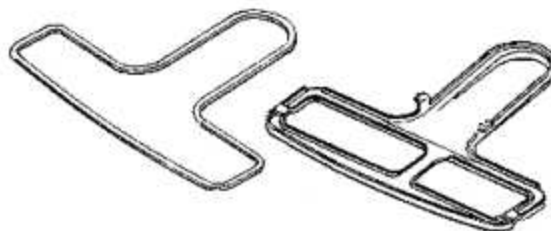


**E-53892-1  
DISTURBULATOR ASS'Y.  
INCLUDES**

- E-27144 DISTURBULATOR CAP (2)
- E-52282-3 BRISTLE STRIP SET
- E-26059A CAP COVER (PKG. OF 2)
- E-53158 NUT (PKG. OF 10)(2 USED)
- E-53360 BEARING, RETAINER &  
WASHER ASS'Y. (2)
- E-53167 SHAFT WASHER  
(PKG. OF 10)(2 USED)
- E-53360 SHAFT



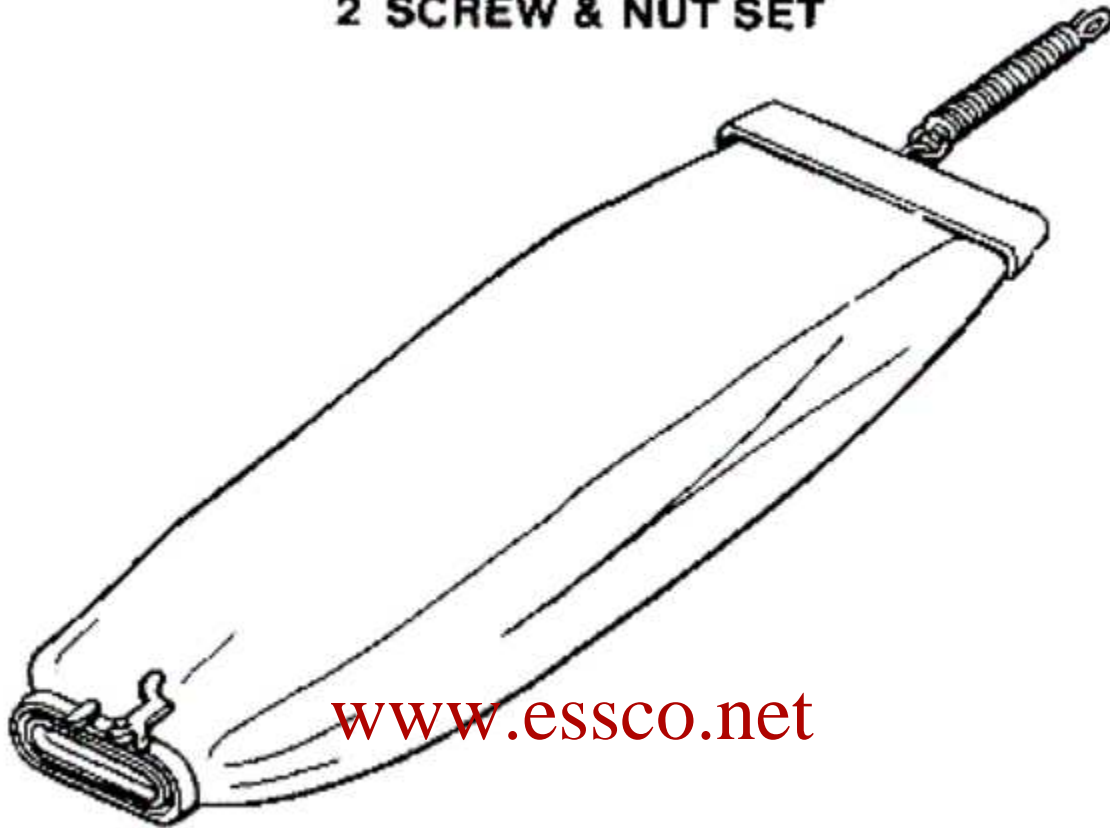
- E-25922-1 BOTTOM PLATE ASS'Y. (INCLUDES)**
- E-46538 GASKET**



Ref #	Part	Description	Comments	Qty
1	E-13236-3	TUBE - DISTURBULATOR		
2	E-25922-1	BOTTOM PLATE ASSEMBLY		
3	E-26059A	CAP - COVER		
4	E-27144	CAP - DISTURBULATOR		
5	E-35858-1	WHEEL - REAR		
6	E-35859A-1	WHEEL - FRONT		
7	E-35947A	AXLE - FRONT		
8	E-36999-32	GUARD - FURNITURE		
9	E-46538	TAPE - FOAM		
10	E-47562	AXLE - REAR		
11	E-52282-3	BRISTLE STRIP PACKAGE		
12	E-53076-2	SPRING & AXLE PACKAGE (6)		
13	E-53111	CLIP PACKAGE (5)		
14	E-53144	CLIP - FURNITURE GUARD PK		
15	E-53158	LOCK NUT PACKAGE		
16	E-53167	WASHER - SHAFT PACKAGE		
17	E-53238-11	SCREW PACKAGE		
18	E-53238-6	SCREW PACKAGE		
19	E-53360	DISTURBULATOR REPAIR KIT		
20	E-53892-1	DISTURBULATOR PACKAGE		

[www.essco.net](http://www.essco.net)

**E-49461A HARDWARE PACKAGE (INCLUDES)**  
**1 CORD RETAINER SET**  
**2 SCREW & NUT SET**



[www.essco.net](http://www.essco.net)

**E- 52253-2 BAG ADAPTER**  
**E-48282 GASKET**  
**E-48748 WASHER**

Ref #	Part	Description	Comments	Qty
1	E-30599D-10	CLIP - BAG		
2	E-47722	SPRING - BAG		
3	E-48282	GASKET - BAG ADAPTER		
4	E-48748	WASHER		
5	E-49461A	HARDWARE PKG - COMM UPRIG		
6	E-52253-2	ADAPTER - BAG		
7	E-54582-1	BAG ASSEMBLY - PACKAGED		

[www.essco.net](http://www.essco.net)