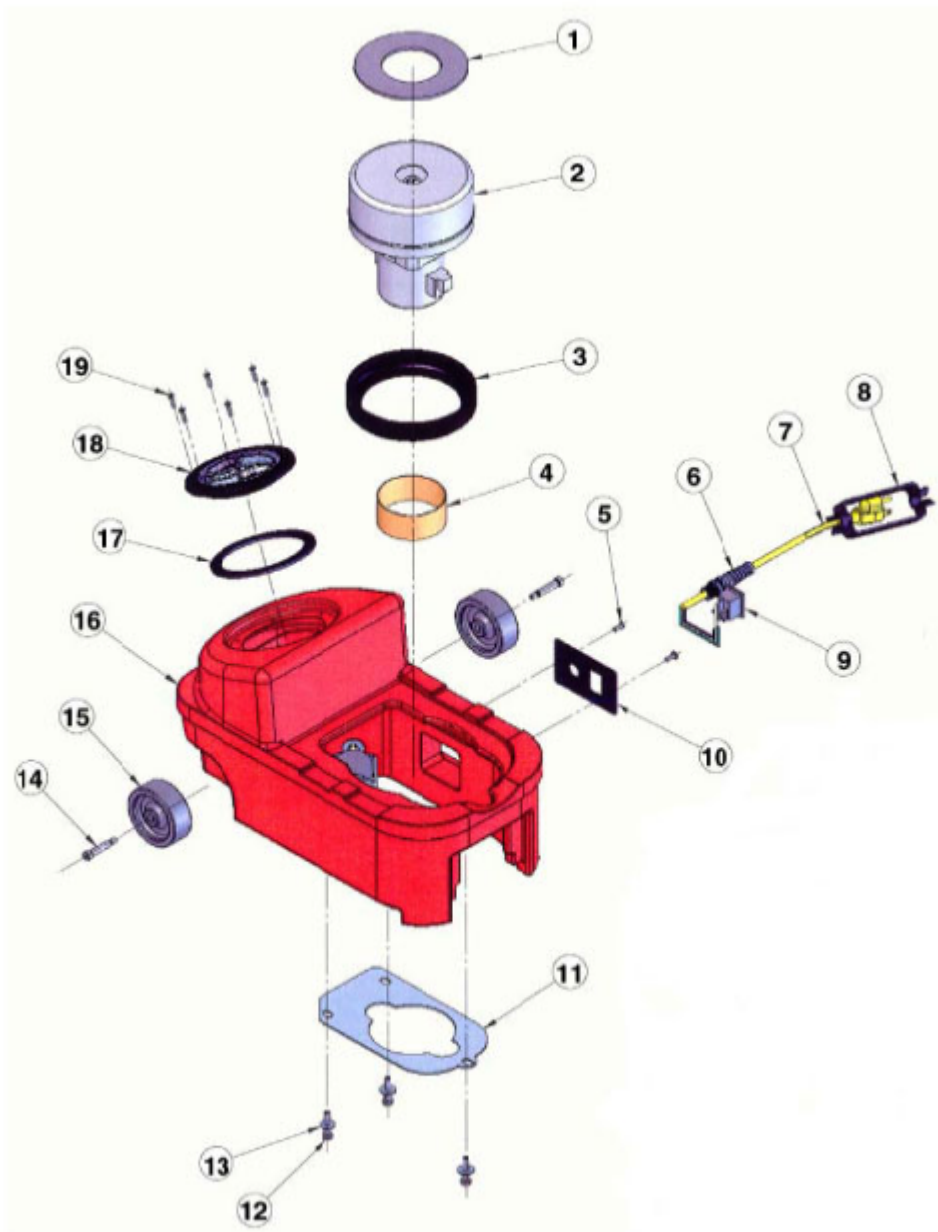


To convert an Eureka part # to an ESSCO part #,  
Add an "E-" to the beginning of the part #  
i.e. 60285 becomes E-60285

MAIN BODY - SC6070A

Ref #	Part	Description	Comments	Qty
1	H304	SCREW #8 X 5/8 PHIL OVAL(		
2	G030	LID, VAC TANK (3.5") CLEA		
3	G039	GASKET, VAC LID (SPOTTER)		
4	P798	TANK, VACUUM		
5	G037	STRAP ADAPTER (SPOTTER)		
6	G038	TETHER		
7	G036	CAP 2" THREADED (SPOTTER)		
8	G057	O-RING, BUNA		
9	B653	NUT LOCK BRASS, 3/4"		
10	H644	PVC ADAPTOR 3/4"		
11	H235	FLOAT CAGE (PART A908 ELE		
12	H900	FITTING,PVC,45DEG MOD,3/4		
13	H899	FITTING,PVC,90DEG MOD,3/4		
14	PH610-2	PIPE, PVC, 3/4 X 2 LG		

To convert an Eureka part # to an ESSCO part #,  
 Add an "E-" to the beginning of the part #  
 i.e. 60285 becomes E-60285

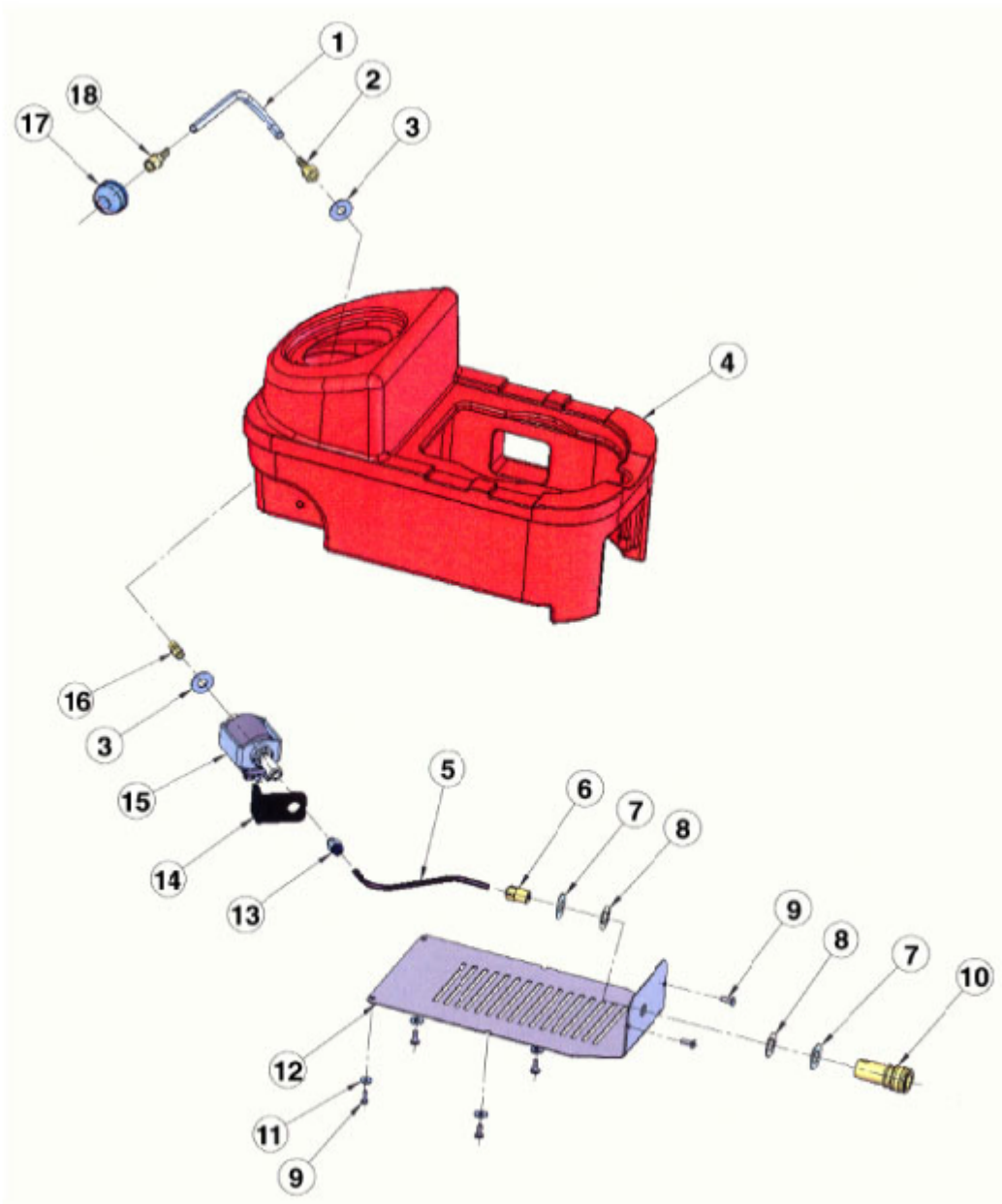


To convert an Eureka part # to an ESSCO part #,  
Add an "E-" to the beginning of the part #  
i.e. 60285 becomes E-60285

## MOTOR - SC6070A

Ref #	Part	Description	Comments	Qty
1	G004	GASKET VAC MOTORES		
2	C316	MOTOR, VAC(2 STAGE PERIPH		
3	H436	GASKET, MOTOR MOUNTING		
4	H433	AIR DUCT, MOTOR		
5	H230	SCREW 10-32 X 1/2" SS		
6	H856	STRAIN RELIEF, 3/8"mpt		
7	E548	PIGTAIL POWER CORD		
8	G131	CORD CONNECTOR		
9	E515	SWITCH, 2 POSITION ROCKER		
10	H410	SWITCH PLATE (MAX/SPOTTER		
11	H646	VAC MOUNTING PLATE (SPOTT		
12	H203	HEX BOLT, 1/4-20 X 1-14 L		
13	H210	WASHER SS 1/4" FLAT		
14	H650	SCREW SHOULDER 5/16" X 1		
15	H358	WHEEL 3"		
16	P797	TANK, SOLUTION		
17	G039	GASKET, VAC LID (SPOTTER)		
18	G030	LID, VAC TANK (3.5") CLEA		
19	H304	SCREW #8 X 5/8 PHIL OVAL(		

To convert an Eureka part # to an ESSCO part #,  
 Add an "E-" to the beginning of the part #  
 i.e. 60285 becomes E-60285



To convert an Eureka part # to an ESSCO part #,  
Add an "E-" to the beginning of the part #  
i.e. 60285 becomes E-60285

## TANK - SC6070A

Ref #	Part	Description	Comments	Qty
1	PH626-12	TUBING, 1/4ID X 3/8OD VIN		
2	B131	HOSE BARB (1/4 B X 1/8 FM		
3	H384	WASHER 3/8 USS		
4	P797	TANK, SOLUTION		
5	PH657-8	TUBING, NYLON,BLACK 1/4OD		
6	B166	PUSH-IN FITTING 1/4" X 1/		
7	H212	WASHER SS 9/16"ID X 1"OD		
8	H413	WASHER NY 9/16ID X 1 1/16		
9	H230	SCREW 10-32 X 1/2" SS		
10	B102	FEMALE, 1/4" QD		
11	H289	#10 FLAT WASHER		
12	H898	COVER, SOLUTION TANK		
13	B140	PUSH-IN FITTING 1/4" X 1/		
14	H250	BRACKET, PUMP		
15	C378	PUMP, 55PSI, 115V 1/8 NPT		
16	B129	NIPPLE 1/8" HEX		
17	B119	FILTER STRAINER 1/4"		
18	B109	ADAPTOR, 1/4"		

To convert an Eureka part # to an ESSCO part #,  
 Add an "E-" to the beginning of the part #  
 i.e. 60285 becomes E-60285

**SC6070**



**SC6080 -- Optional Items**

- |    |       |                                     |
|----|-------|-------------------------------------|
| 1. | SC81A | ACCESSORY HOSE WITH 3" METAL NOZZLE |
|----|-------|-------------------------------------|

To convert an Eureka part # to an ESSCO part #,  
Add an "E-" to the beginning of the part #  
i.e. 60285 becomes E-60285

ACCESSORIES - SC6070A

Ref #	Part	Description	Comments	Qty
1	SC81A	COMM EXTRACTOR ATTACHMENT		

To convert an Eureka part # to an ESSCO part #,  
Add an "E-" to the beginning of the part #  
i.e. 60285 becomes E-60285