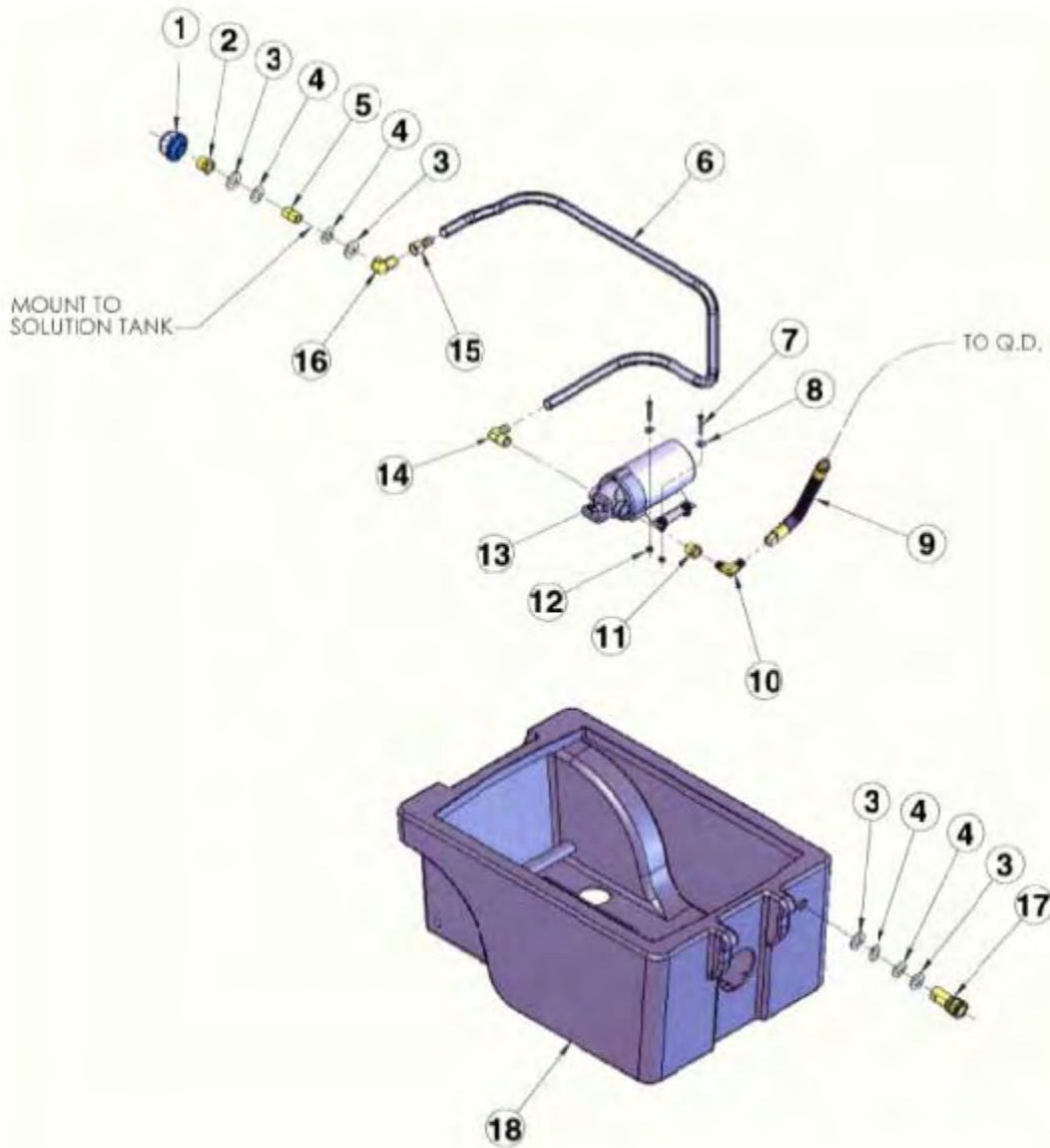
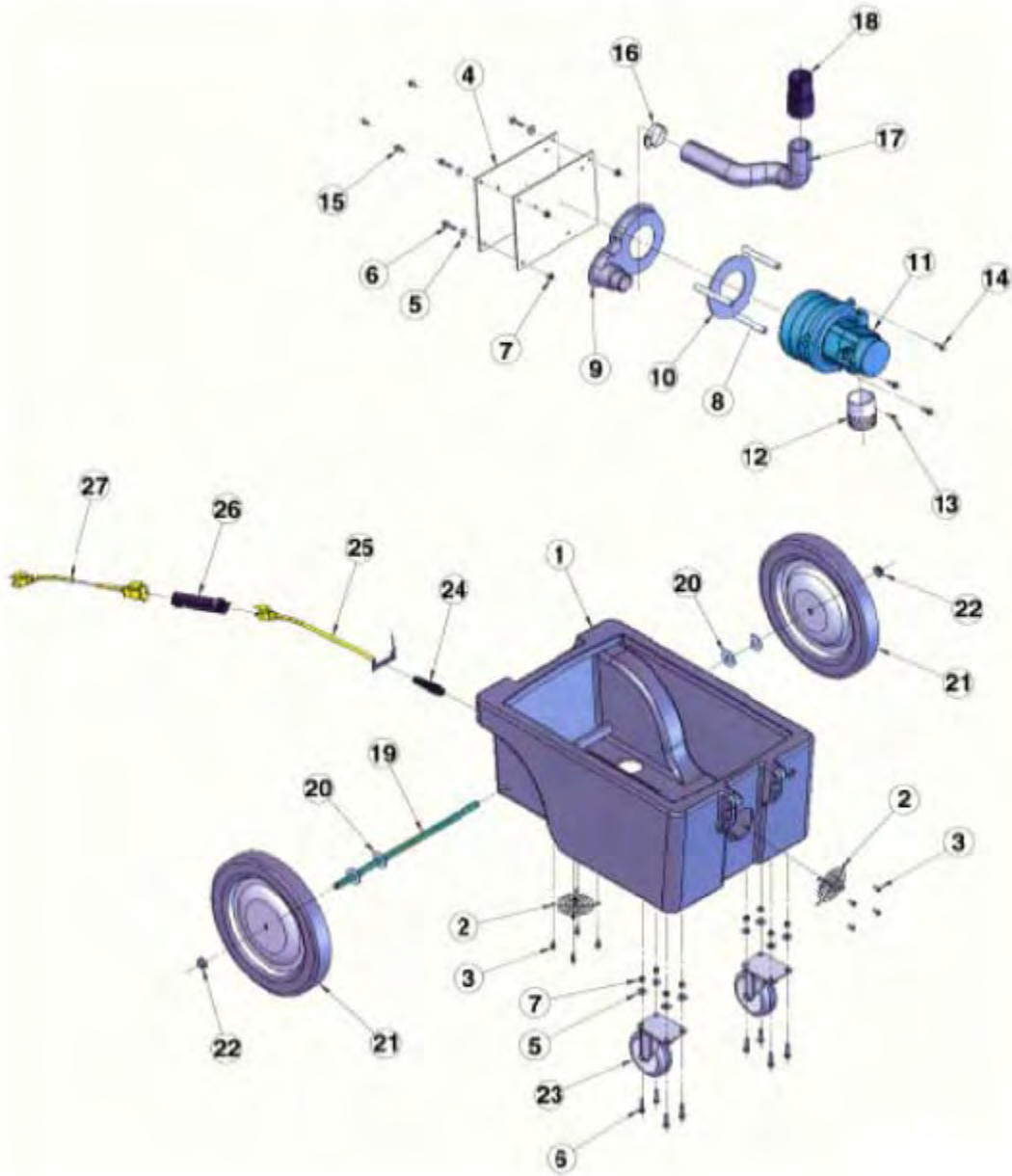


FILTER - SC6080A



Ref #	Part	Description	Comments	Qty
1	B119A	FILTER STRAINER, 1/2		
2	B210	BUSHING, 1/2" X 3/8"		
3	H212	WASHER SS 9/16"ID X 1"OD		
4	H413	WASHER NY 9/16ID X 1 1/16		
5	B216	NIPPLE, CLOSE 3/8"		
6	PH615-48	HOSE, 1/2 KURITEK X 48 LG		
7	H222	SCREW 10-32 X 1 1/4"		
8	H289	#10 FLAT WASHER		
9	AH105A	HOSE, 3/8 SURGE X 15-3/4		
10	B136	90DEG 1/4 M X M		
11	B105	REDUCER, 3/8" X 1/4"		
12	H273	KEP-NET, #10-32		
13	C370	PUMP, 150PSI, W/BYPASS DE		
14	B172	90 DEG BARB 1/2 X 3/8 MP		
15	B160	HOSE BARB 1/2" B X 3/8" F		
16	B186	3/8 90 DEG BRASS ELBOW (M		
17	B102	FEMALE, 1/4" QD		
18	P799	BASE (9 GALLON)		
	AH1128	DRAIN WHIP		

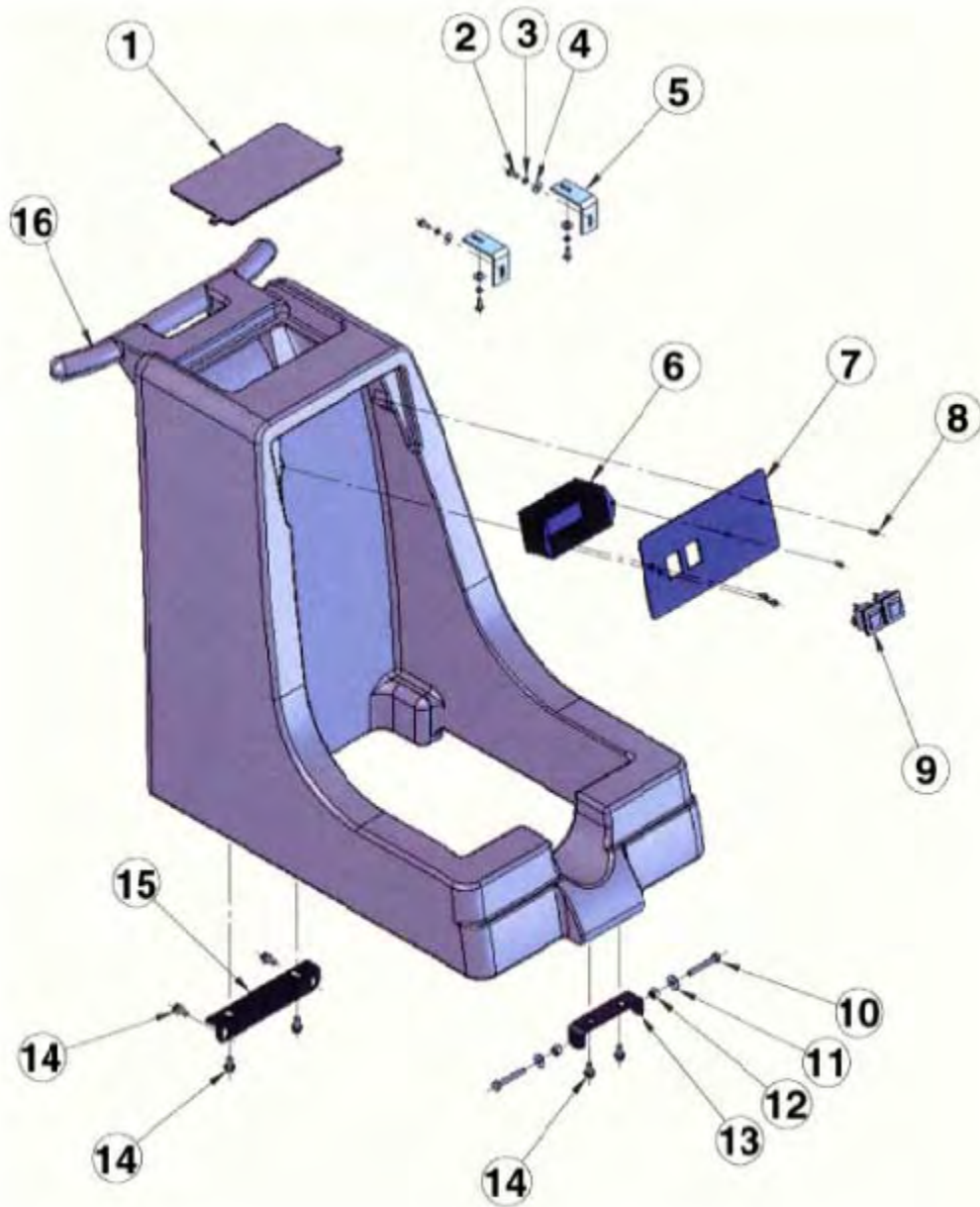
MAIN BODY - SC6080A



MAIN BODY - SC6080A

Ref #	Part	Description	Comments	Qty
1	P799	BASE (9 GALLON)		
2	H296	GUARD (WIRE) COOLING FAN		
3	H206	SCREW, #10-32 X 5/8" HEX		
4	H330	PLATE SINGLE MANIFOLD 6.5		
5	H210	WASHER SS 1/4" FLAT		
6	H342	BOLT SS 14-20 X 1" HEX		
7	H216	NUT 14-20 LOCK		
8	H501	3 STAGE VAC SUPPORTS 4 1/		
9	P735	MANIFOLD, SINGLE (PLASTIC		
10	G004	GASKET VAC MOTORES		
11	C302	MOTOR, VAC(3 STAGE)115V,1		
12	H244	PVC ADAPTOR 1 1/2" FMS X		
13	H343	SCREW,SELF-TAPPING #10 X		
14	H768	1/4-20X3/4 SERRATED FLANE		
15	H201	BOLT 1/4-20 X 1/2" HEX SS		
16	H217	CLAMP, HOSE 1/2 X 2 1/4 D		
17	PH627	HOSE, VACUUM, 1-1/2 X 22		
18	H300	HOSE CUFF 1 1/2" (BLACK)		
19	PH620-16	AXLE, 1/2 X 16 LG		
20	H254	WASHER, AXLE (CUT 5/8 ID)		
21	H251	WHEEL 12"		
22	H219	AXLE CAPS 1/2"		
23	H668	CASTER, 4" SWIVEL		
24	H856	STRAIN RELIEF, 3/8"mpt		
25	E548	PIGTAIL POWER CORD		
26	G131	CORD CONNECTOR		
27	E535	50'CORD		

TANK - SC6080A



Ref #	Part	Description	Comments	Qty
1	P800	TANK,SOLUTION (9 GALLON)		
2	H230	SCREW 10-32 X 1/2" SS		
3	H877	#10 LOCK WASHER		
4	H289	#10 FLAT WASHER		
5	H320	SCREW, #10 X 1/2" HEX HD.		
6	H437	BOX, ELECTRICAL ENCLOSURE		
7	H901	SWITCH PLATE, 2-HOLE		
8	H246	SCREW #8-32 X 3/8 SOCKET		
9	E515	SWITCH, 2 POSITION ROCKER		
10	H204	BOLT, 1/4-20 X 1-3/4 LG H		
11	H210	WASHER SS 1/4" FLAT		
12	H216	NUT 14-20 LOCK		
13	H379	BRACKET, FRONT HINGE		
14	H770	BOLT, 1/4-20 X 1/2 SERRAT		
15	H896	LATCH BRACKET		
16	P800	TANK,SOLUTION (9 GALLON)		

ACCESSORIES - SC6080A

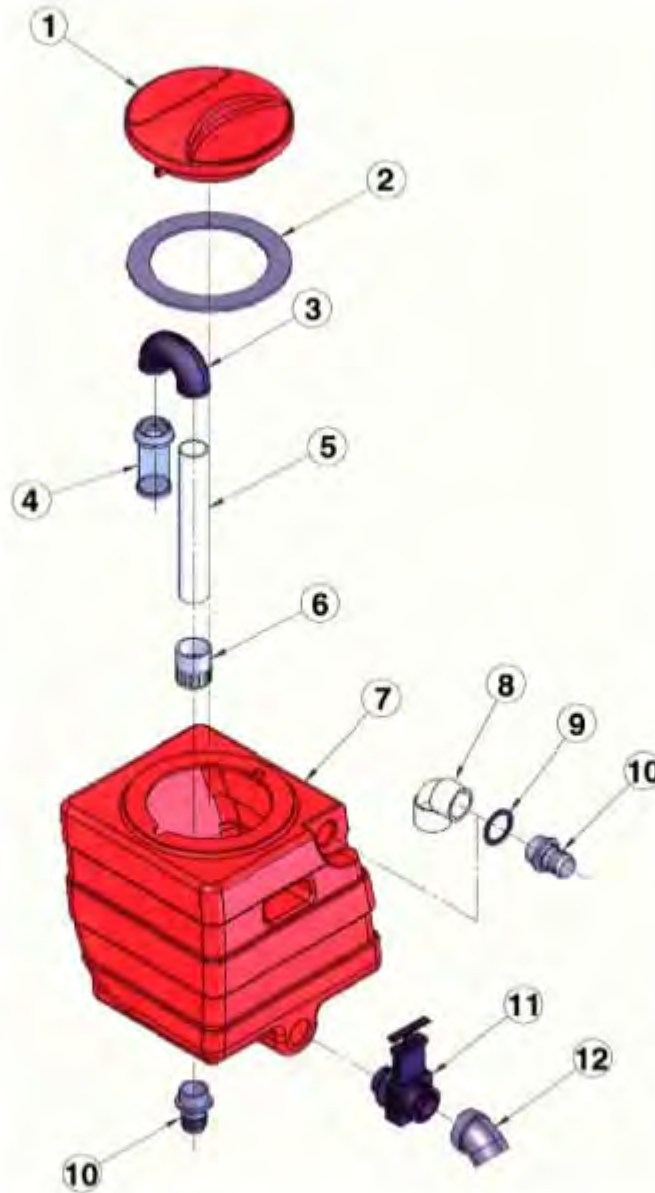


SC6080 -- Optional Items

- 1. SC80 INCLUDES: WAND, 12" S/S SINGLE BEND (8350) AND 15' VAC/SOL HOSE ASSEMBLY (3500)
- 2. SC81 8' ACCESSORY HOSE WITH 3" METAL NOZZLE

Ref #	Part	Description	Comments	Qty
1	SC80A	COMM EXTRACTOR WAND ATTAC		
	H295	15' VAC HOSE		
	A942	15' SOLUTION HOSE		
	B122	SOLUTION JET		
	B133A	VALVE		
	8350-C	WAND - 2 PIECE FRICTION F		
	AH189	WAND SOLUTION HOSE		
2	SC81A	COMM EXTRACTOR ATTACHMENT		
	H360	HOSE, VAC 1 1/4" X 8' (SP		
	AH135	HOSE, DAYCO, 84 LG		
	B146A	SOLUTION JET		
	B144A	VALVE		
	8400	UPHOLSTERY NOZZLE - 3"		
	B101	MALE QUICK-CONNECT, 1/4"		
AH1128	DRAIN WHIP			

VACUUM TANK - SC6080A



Ref #	Part	Description	Comments	Qty
1	P734N	LID, VACUUM TANK (REPLAMT	Red Lid	
	G090	LID, VACUUM TANK (REPLAMT	Black Screw On Lid	
2	G005	GASKET, VACUUM TANK LID		
	G091	GASKET, VACUUM TANK LID	Gasket for Black Lid	
3	P755	ELBOW (1 1/2") FOR FLOAT		
4	H235	FLOAT CAGE (PART A908 ELE		
5	PH633-11	PIPE, PVC, 1-1/2 X 11 LG		
6	H244	PVC ADAPTOR 1 1/2" FMS X		
7	P801	TANK, VACUUM (9 GALLON)		
8	H243	ELBOW,PVC,90DEG,1-1/2"X1-		
9	G001	GASKET, INLET 1 1/2 ID		
10	H229	PVC INLET FITTING 1 1/2"		
11	H225	VALVE, DRAIN 1 1/2" BX 48		
12	H226	DRAIN SPOUT 45 DEG		