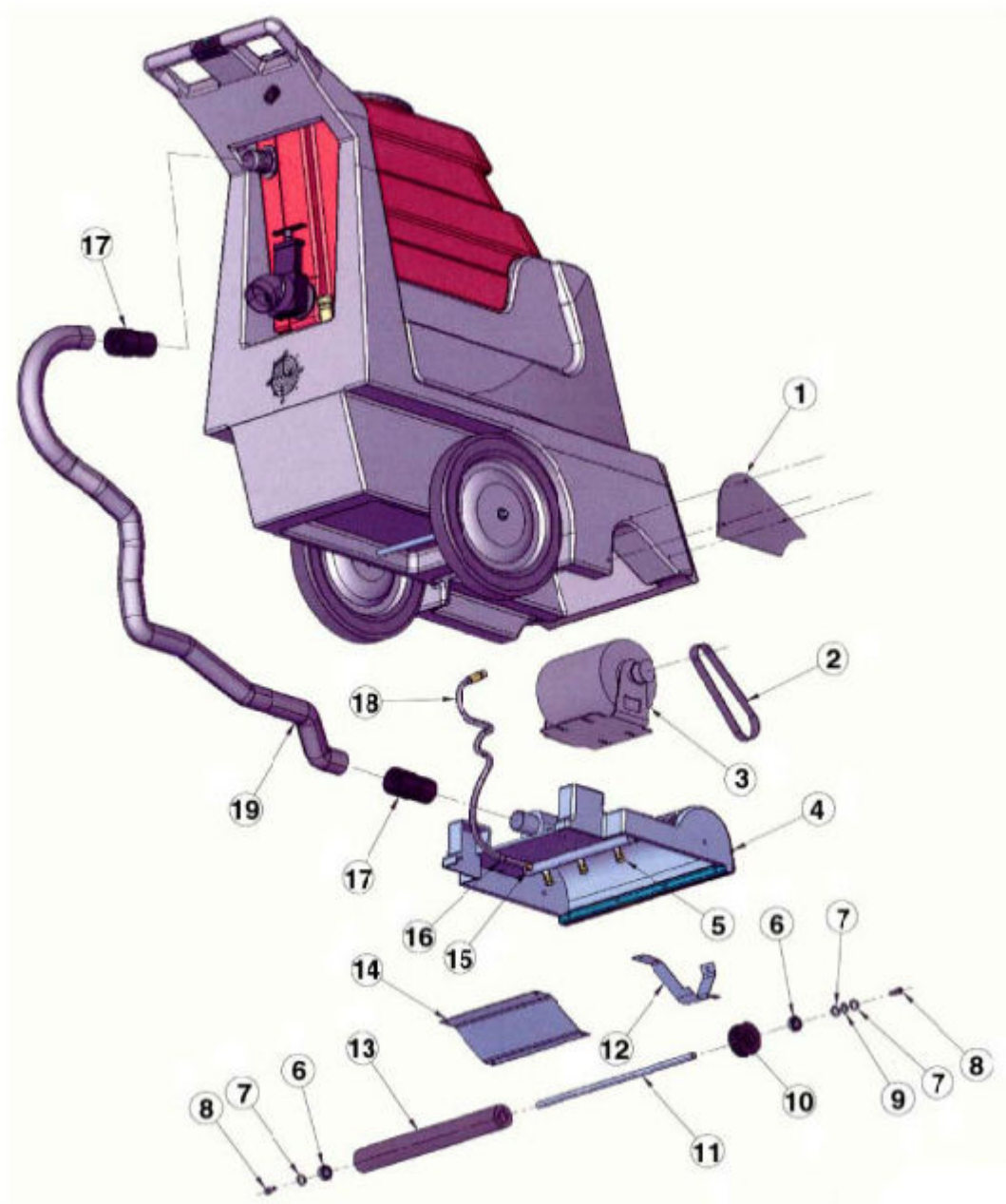


To convert an Eureka part # to an ESSCO part #,
Add an "E-" to the beginning of the part #
i.e. 60285 becomes E-60285

MAIN BODY - SC6090A

Ref #	Part	Description	Comments	Qty
1	E516	SWITCH, 3 POSITION ROCKER		
2	H636	SWITCHPLATE (ML) 3 HLOE W		
3	B102	FEMALE, 1/4" QD		
4	H212	WASHER SS 9/16"ID X 1"OD		
5	H413	WASHER NY 9/16ID X 1 1/16		
6	B106	NIPPLE, 1/4 CLOSE		
7	B110	HOSE BARB 1/4" B X FMSW		
8	B116	FERREL (LP)		
9	PH634	HOSE, 1/4 KURITEK X 25 LG		
10	P802	BASE		
11	H296	GUARD (WIRE) COOLING FAN		
12	E620	POWER CORD,50',14/3 GRY		
13	G131	CORD CONNECTOR		
14	E790	PIGTAIL,48"POWER CORD,14/		
15	H220	STRAIN RELIEF FITTING-COR		
16	H221	NUT 1/2 STEEL LOCK NUT (S		
17	H414	SWITCH PLATE (SELF CONTAI		
18	E581	SWITCH, MOMENTARY (SELF-C		
19	H424	SCREW #10-32 X 3/8 BUTTON		
20	B197	VALVE, 1/4" SOLENOID (115		

To convert an Eureka part # to an ESSCO part #,
 Add an "E-" to the beginning of the part #
 i.e. 60285 becomes E-60285

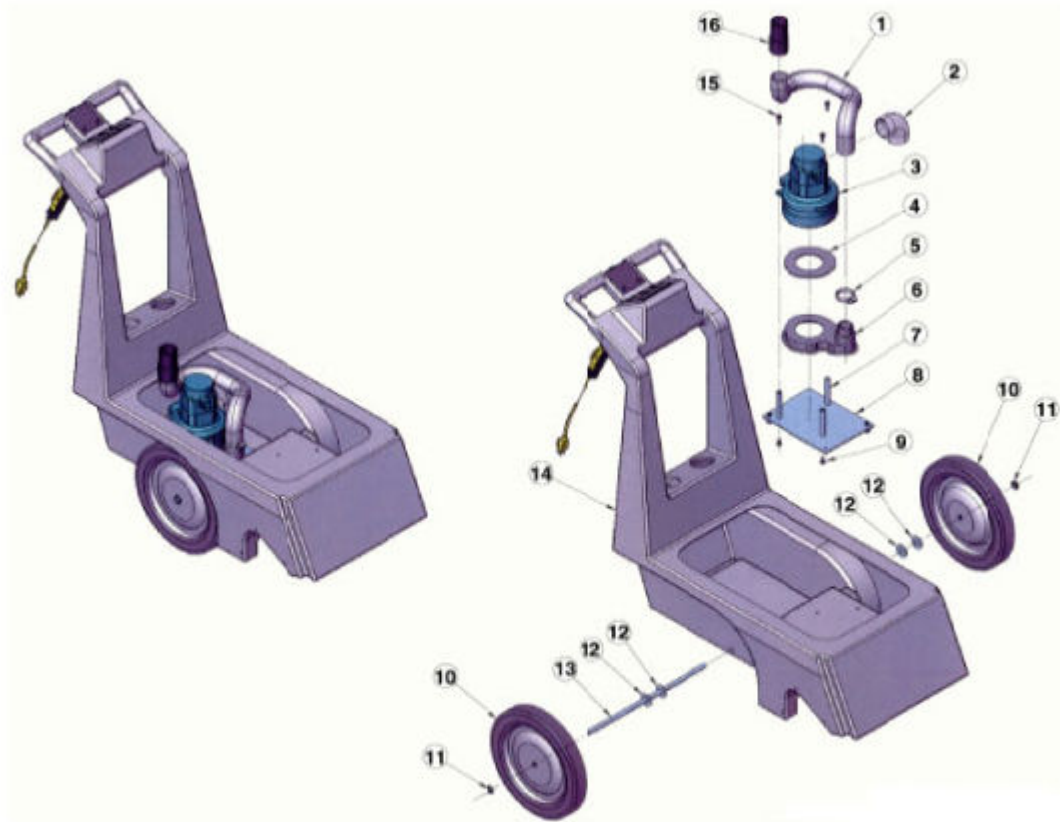


To convert an Eureka part # to an ESSCO part #,
Add an "E-" to the beginning of the part #
i.e. 60285 becomes E-60285

POWERHEAD - SC6090A

Ref #	Part	Description	Comments	Qty
1	G139	BELT GUARD (S-C) TRACKER		
2	H676	BELT		
3	C379	MOTOR, 1/4 HP		
4	H673	POWERHEAD ASSY (SELF-CONT		
5	B220	SOLUTION JET		
6	H435	BEARING, DOUBLE SEALED,60		
7	H426	WASHER NYLON 5610-169-93		
8	H429	SCREW, 5/16-24 X 3/4 LG		
9	H427	WASHERS WAVE 5806-60-3		
10	H714	PULLEY, BRUSH		
11	H428	SHAFT, BRUSH		
12	H910	GUARD, PULLEY		
13	H430	BRUSH, SC9		
14	H911	GUARD, BRUSH PLATE		
15	B131	HOSE BARB (1/4 B X 1/8 FM		
16	H916	CLIP, RETAINING, PLASTIC		
17	H300	HOSE CUFF 1 1/2" (BLACK)		
18	PH634-17	HOSE, 1/4 KURITEK X 17 LG		
19	PH627-48	HOSE, VACUUM, 1-1/2 X 48		

To convert an Eureka part # to an ESSCO part #,
Add an "E-" to the beginning of the part #
i.e. 60285 becomes E-60285

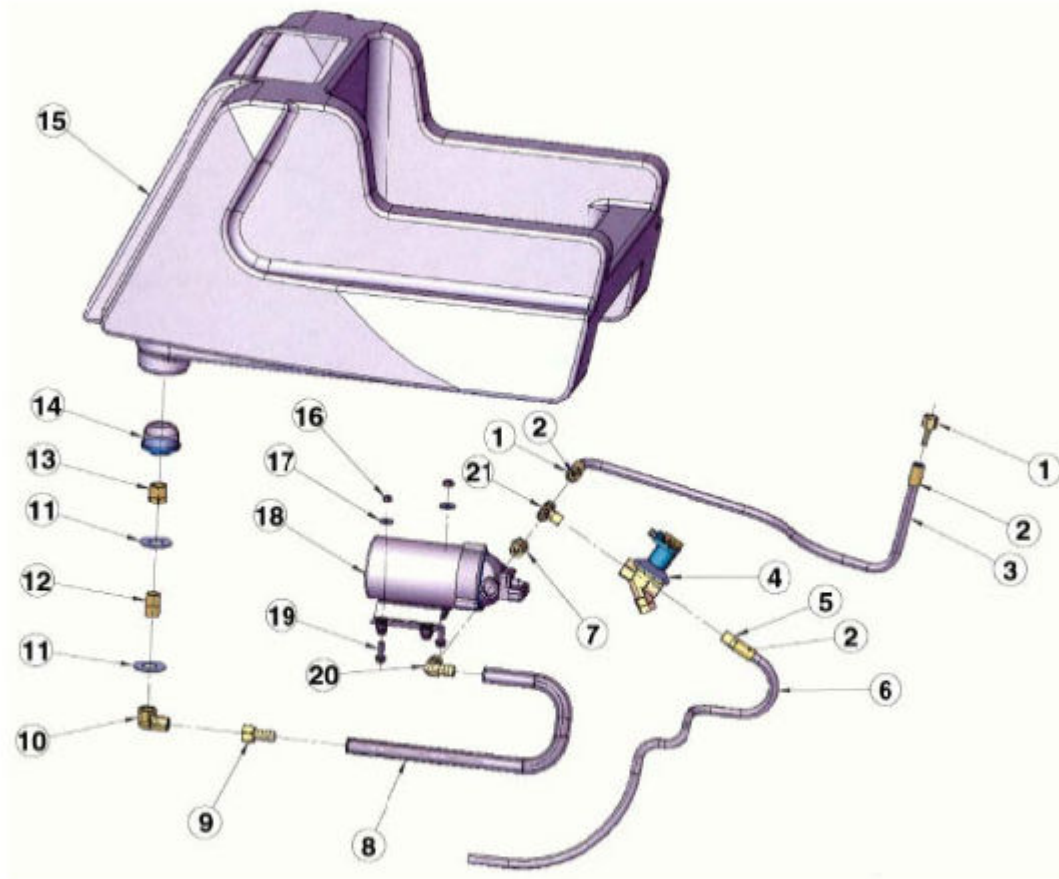


To convert an Eureka part # to an ESSCO part #,
Add an "E-" to the beginning of the part #
i.e. 60285 becomes E-60285

MOTOR - SC6090A

Ref #	Part	Description	Comments	Qty
1	PH627-22	HOSE, VACUUM, 1-1/2 X 22		
2	H298			
3	C310	MOTOR,VAC(2 STAGE)HI-PER1		
4	G004	GASKET VAC MOTORES		
5	H217	CLAMP, HOSE 1/2 X 2 1/4 D		
6	P735	MANIFOLD, SINGLE (PLASTIC		
7	H500	2 STAGE VAC SUPPORTS 3 1/		
8	H330	PLATE SINGLE MANIFOLD 6.5		
9	H201	BOLT 1/4-20 X 1/2" HEX SS		
10	H251	WHEEL 12"		
11	H219	AXLE CAPS 1/2"		
12	H254	WASHER, AXLE (CUT 5/8 ID)		
13	H385	AXLE 1/2" X 16 1/2" (TRAC		
14	P802	BASE		
15	H768	1/4-20X3/4 SERRATED FLANE		
16	H300	HOSE CUFF 1 1/2" (BLACK)		

To convert an Eureka part # to an ESSCO part #,
 Add an "E-" to the beginning of the part #
 i.e. 60285 becomes E-60285

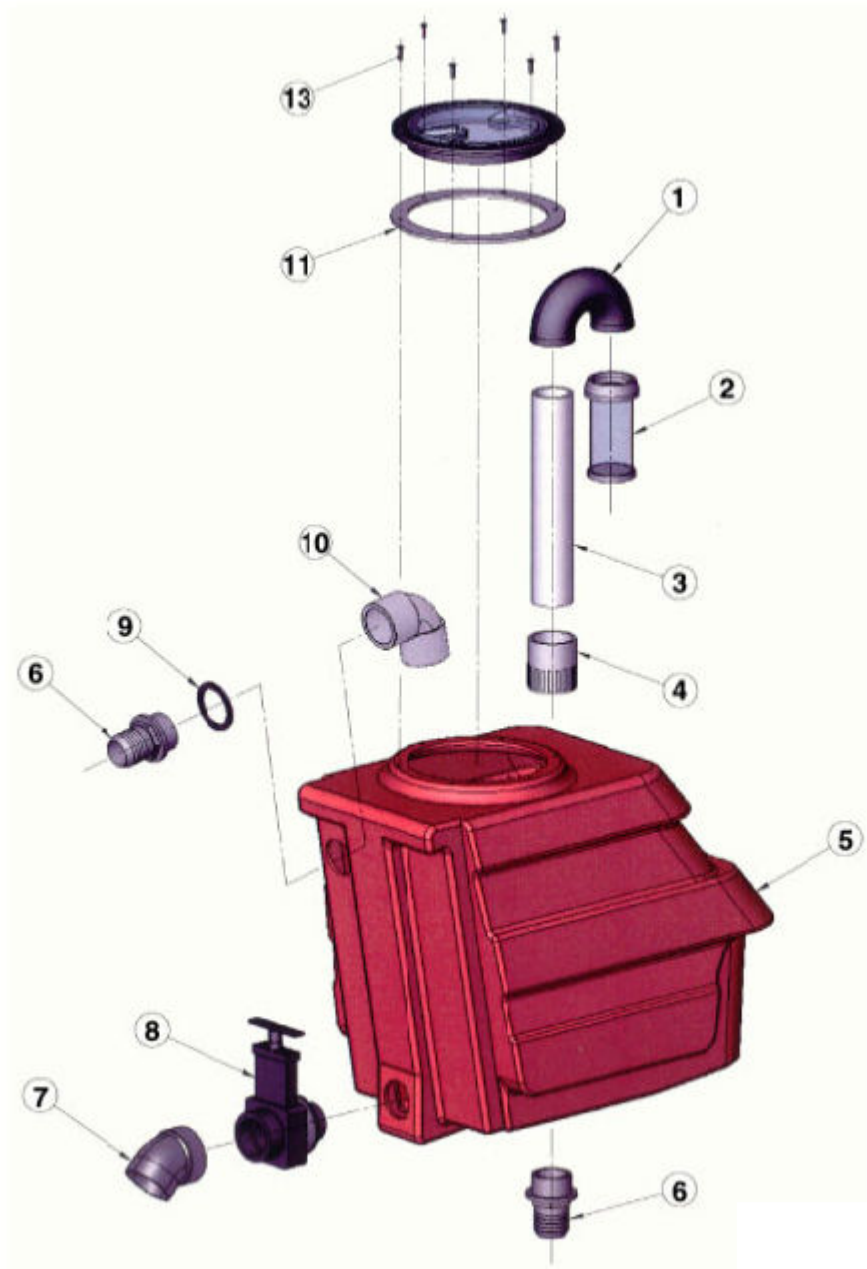


To convert an Eureka part # to an ESSCO part #,
Add an "E-" to the beginning of the part #
i.e. 60285 becomes E-60285

TANK - SC6090A

Ref #	Part	Description	Comments	Qty
1	B110	HOSE BARB 1/4" B X FMSW		
2	B116	FERREL (LP)		
3	PH634	HOSE, 1/4 KURITEK X 25 LG		
4	B197	VALVE, 1/4" SOLENOID (115		
5	B109	ADAPTOR, 1/4"		
6	PH634-17	HOSE, 1/4 KURITEK X 17 LG		
7	B105	REDUCER, 3/8" X 1/4"		
8	PH615-16	HOSE, 1/2 KURITEK X 16 LG		
9	B160	HOSE BARB 1/2" B X 3/8" F		
10	B186	3/8 90 DEG BRASS ELBOW (M		
11	H299	WASHER S/S 11/16"ID X 1 1		
12	B216	NIPPLE, CLOSE 3/8"		
13	B210	BUSHING, 1/2" X 3/8"		
14	B119A	FILTER STRAINER, 1/2		
15	P803	TANK, SOLUTION		
16	H215	1/4-20 HEX NUT		
17	H210	WASHER SS 1/4" FLAT		
18	C305	PUMP (100PSI) DEMAND 115V		
19	H768	1/4-20X3/4 SERRATED FLANE		
20	B172	90 DEG BARB 1/2 X 3/8 MP		
21	B135	TEE 1/4" MALE		

To convert an Eureka part # to an ESSCO part #,
 Add an "E-" to the beginning of the part #
 i.e. 60285 becomes E-60285



8

To convert an Eureka part # to an ESSCO part #,
Add an "E-" to the beginning of the part #
i.e. 60285 becomes E-60285

VACUUM TANK - SC6090A

Ref #	Part	Description	Comments	Qty
1	P755	ELBOW (1 1/2") FOR FLOAT		
2	H235	FLOAT CAGE (PART A908 ELE		
3	PH633-10	PIPE, PVC, 1-1/2 X 10 LG		
4	H244	PVC ADAPTOR 1 1/2" FMS X		
5	P804	TANK, VACUUM		
6	H229	PVC INLET FITTING 1 1/2"		
7	H226	DRAIN SPOUT 45 DEG		
8	H225	VALVE, DRAIN 1 1/2" BX 48		
9	G001	GASKET, INLET 1 1/2 ID		
10	H243	ELBOW,PVC,90DEG,1-1/2"X1-		
11	G060	GASKET, VAC LID (FOR G056		
12	G056	LID, VAC CLEAR 6" NEW STY		
13	H304	SCREW #8 X 5/8 PHIL OVAL(
	G090	LID, VACUUM TANK (REPLAMT		

To convert an Eureka part # to an ESSCO part #,
 Add an "E-" to the beginning of the part #
 i.e. 60285 becomes E-60285



SC6090 -- Optional Items

- | | | |
|----|------|--|
| 1. | SC80 | INCLUDES: WAND, 12" S/S SINGLE BEND (8350) AND
15' VAC/SOL HOSE ASSEMBLY (3500) |
| 2. | SC81 | 8' ACCESSORY HOSE WITH 3" METAL NOZZLE |

To convert an Eureka part # to an ESSCO part #,
Add an "E-" to the beginning of the part #
i.e. 60285 becomes E-60285

ACCESSORIES - SC6090A

Ref #	Part	Description	Comments	Qty
1	SC80A	COMM EXTRACTOR WAND ATTAC		
	H295	15' VAC HOSE		
	A942	15' SOLUTION HOSE		
	B202	SOLUTION JET		
	B133A	VALVE		
2	SC81A	COMM EXTRACTOR ATTACHMENT		
	H360	HOSE, VAC 1 1/4" X 8' (SP		
	AH135	HOSE, DAYCO, 84 LG		
	B146A	SOLUTION JET		
	B144A	VALVE		

To convert an Eureka part # to an ESSCO part #,
 Add an "E-" to the beginning of the part #
 i.e. 60285 becomes E-60285