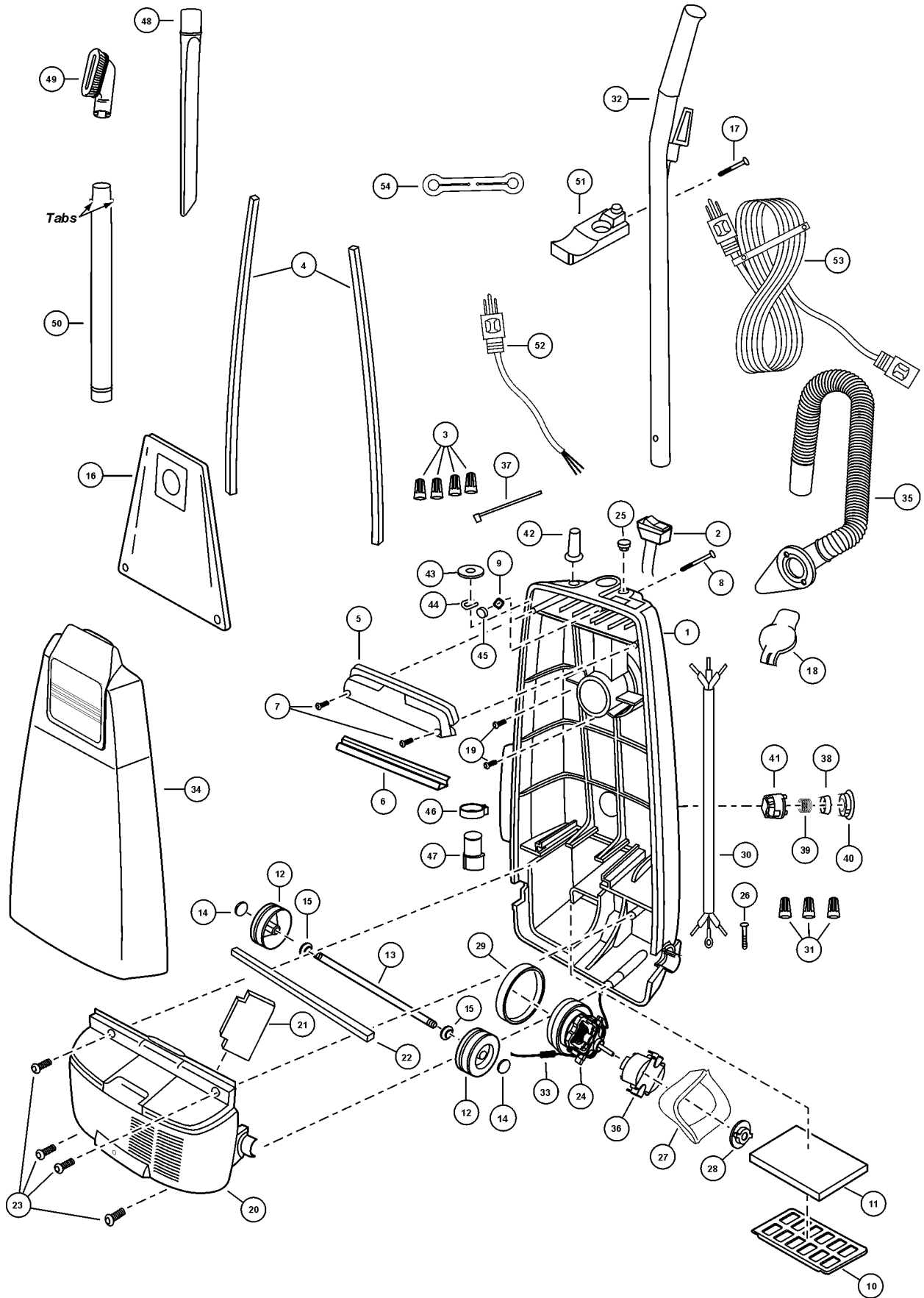


# 2 EXPLODED VIEW AND PARTS LIST

## 2.1. Body

### 2.1.1. Exploded View



## 2.1.2. Parts List (Body)

Ref. No.	Part No.	Part Name & Description	Quantity	Remarks
1	P-88KBAXZU01	Dust Compartment Unit	1	Incl. items 37, 43, 44, 45, 46 & 47
2	P-98EARFZ0U	ON/OFF Switch	1	Includes items 37 & 45
3	P-1CTCE23	Wire Connector	4	
4	P-66KV01V06	Packing (Dust Container)	2	
5	AC03EARFZV06	Switch Cover	1	Includes item 45
6	AC73KV0ZV06	Packing (Switch Cover)	1	
7	AXTN4+16BFY	Screw (Switch Cover)	2	Shipped 10 per package
8	AMC73B-V00	Handle Screw	1	
9	AMP21B-170	Nut (Handle Screw)	1	
10	AMC32K-V00	Filter Supporter	1	
11	AMC37KAEZ00	Secondary HEPA Filter	1	
12	AC01CV0ZV06	Wheel	2	
13	AC16CUSZ00	Shaft (Wheel)	1	
14	AC74SUSZ00	Stopper (Wheel)	2	
15	AXWG6E115FY	Washer (Wheel)	2	Shipped 10 per package
16	P-MC155M	Dust Bag (Type U12)	1	
17	AXTN4+45BFY	Screw (Hose Holder)	1	Shipped 10 per package
18	AC02HF73V07	Cover (Suction Inlet)	1	
19	AXTN4+16BFY	Screw (Suction Inlet)	2	Shipped 10 per package
20	AC99FJPZU01	Motor Case	1	
21	AMC02L-V00	Packing (Rear Cover)	1	
22	AC19FJPZV06	Packing (Motor Case)	1	
23	AXTN4+20BFY	Screw (Motor Case)	4	Shipped 10 per package
24	AC92FAPNZ00	Fan Motor Unit	1	
25	AC38HAPNZ0U	Cover Cap	1	
26	AXYN4+E10FFY	Screw, Ground	1	Shipped 10 per package
27	AC99GAMMZ00	Noise Suppressor	1	
28	AMC03F-V00	Motor Support (Rear)	1	
29	AMC02F-E00	Motor Support Rubber (Front)	1	
30	AC37GTEZ0U	Wire Cord	1	
31	AMC-1CTCE23	Wire Connector	3	
32	AC95BTEZVU6	Handle Assembly	1	Includes Cord Storage Hook
33	AC99WARGZ00	Lead Wire Assembly	1	
34	AC60KBFCZU1	Dust Cover	1	
35	AC84PJPZV06	Hose	1	
36	AC93FTEZ0U	Plastic Cover (Motor)	1	
37	AMC596-702	Wire Tie	1	Shipped 10 per package
38	AC69KJMV06	Protector	1	
39	AC70KAHHzB0	Protector Spring - Blue	1	
40	AC18MJMV06	Protector Supporter	1	
41	AC68KJMV06	Protector Case	1	
42	AC51E4GZU01	Rubber Protector	1	
43	AXWE10J223FE	Flat Washer, Round	1	
44	AC06WAPNZ00	Cord Retainer	1	
45	AC61LAGMZ00	Packing (Insulator)	1	
46	AC53RJPZV06	Hose Hook	1	
47	AC58PJPZV06	Hose Adaptor	1	
48	AC60RZFZVU6	Crevice Tool	1	
49	AC88RYUZV06	Dusting Brush	1	
50	AC40PJPZV06	Extension Wand	1	
51	AC23PJP1V06	Hose Holder	1	
52	AC94EDFEZY02	Power Cord (Pig-Tail)	1	Incl. items 37, 43, 44 & 45
53	AC94EDDXZY02	Power Cord	1	
54	AC06WDFEZU03	Cord Retainer	1	



## 2.2.2. Parts List (Nozzle Housing)

Ref. No.	Part No.	Part Name & Description	Quantity	Remarks
1	AC01ACBZZYU2	Nozzle Housing	1	Furniture Guard Glued On
2	AC91AAEZZV06	Lower Plate Assembly	1	
3	AC27AAEZZV06	Lower Plate	1	Includes Packing, Item 6
4	AC06AAJUZ00	Body, Lower Plate	1	
5	AXTN4+16BFY	Screw (Body, Lower Plate)	2	Shipped 10 per package
6	AC19AARKZV00	Packing, Lower Plate	1	
7	AMC43S-V00	Belt Cover	1	
8	AMC68A-V30	Screw, Nozzle	2	Shipped 10 per package
9	AMC68N-AV0K	Latch	2	
10	AMC25S-V00	Plastic Shaft	1	
11	AC21HZFZY02	Window Cover	1	
12	AMC57A-V00	Pedal Spring	1	
13	AC70NYUZ00	Stop Latch Spring	1	
14	AC28SCZPZ000	Belt	1	
15	AC53KAPNZW03	Slider Support	1	
16	AC57HJPZV06	Sliding Knob	1	
17	AC61KJPZV06	Height Adjustment Cam	1	
18	AC90QNGZV06	Wheel	2	
19	AC16CNXZ00	Shaft (Wheel)	2	
20	AXTN4+16BFY	Screw (Slider Support, Pedal Spring)	3	Shipped 10 per package
21	AMC78N-V00	Plastic Holder	1	
22	AC34PAJDZV06	Nozzle Hose	1	
23	AC84RBRHZ000	Agitator Unit	1	