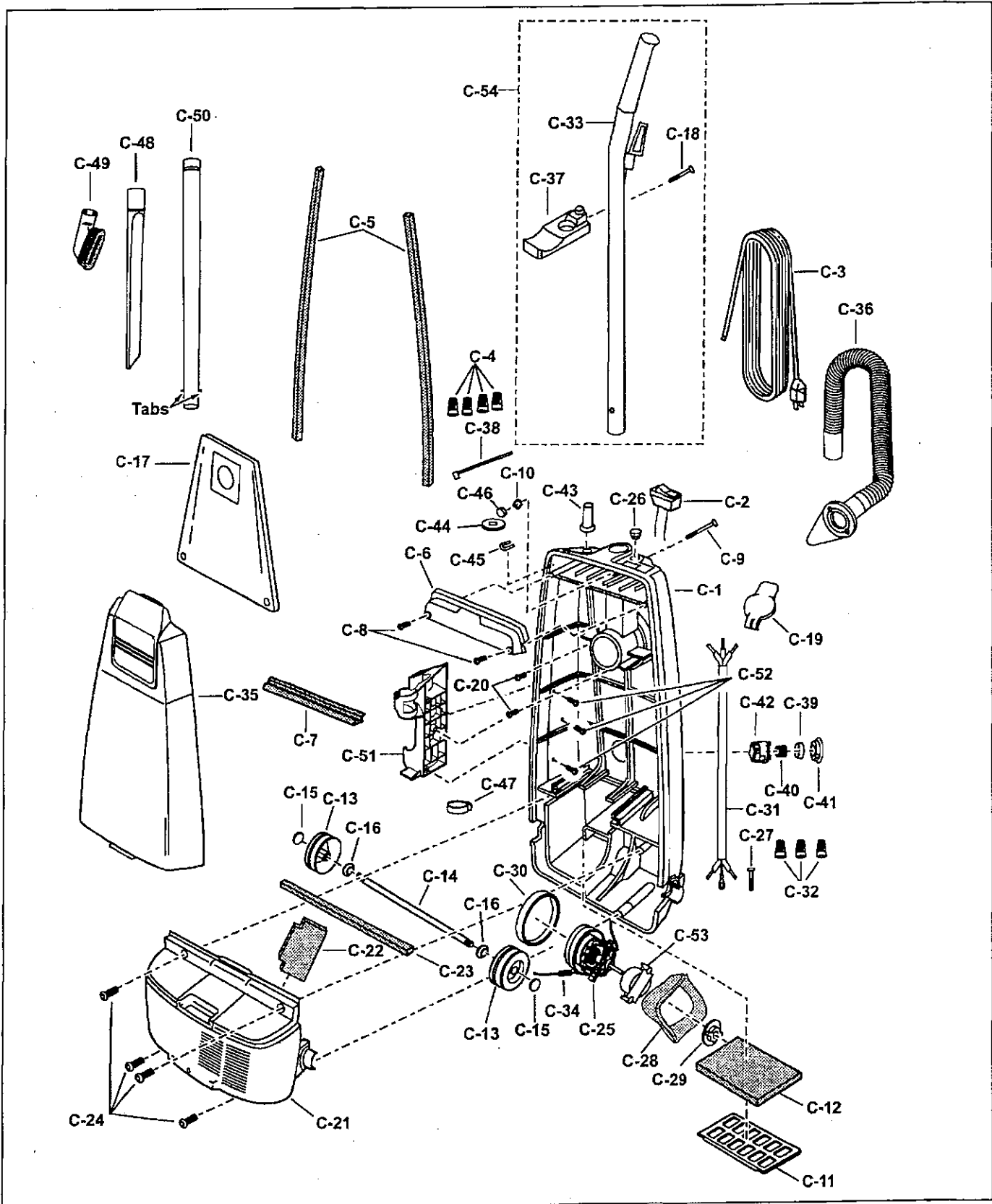


PANASONIC

Original & Replacement

Models V5203, V5204, V5210



Original & Replacement

PANASONIC

Models V5203, V5204, V5210

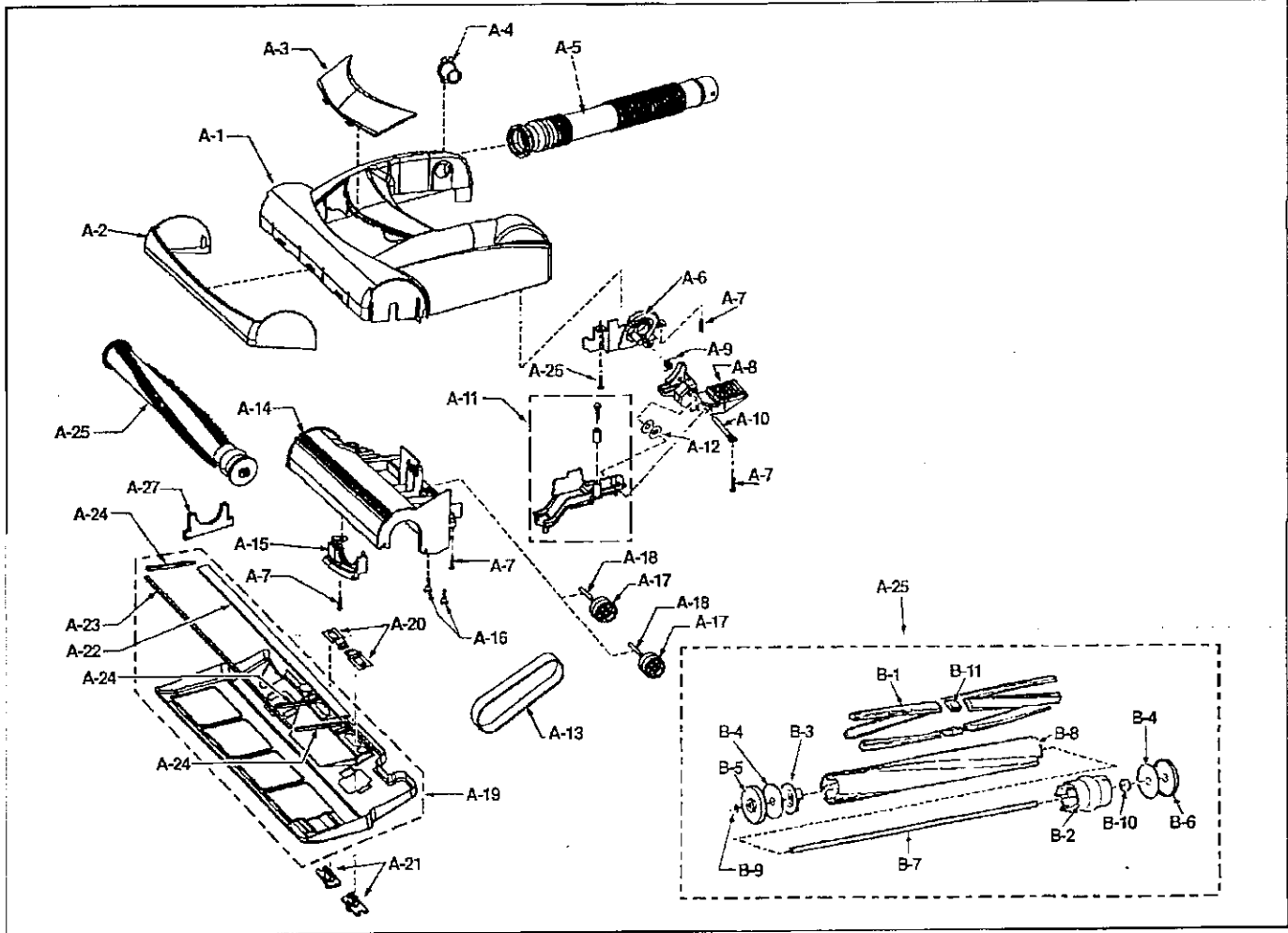
PARTS LIST (MAIN BODY)

KEY	PART NO.	DESCRIPTION	KEY	PART NO.	DESCRIPTION
C-1	P-75303	Dust Container V5203, V5204 (Incl. C-38, C-44-C-46)	C-32	SS-3270	Wire Nut
C-1	P-75322	Dust Container, V5210 (Incl. C-38, C-44-C-46)	C-33	P-64BATNZ00	Handle
C-2	P-34100	Switch Includes (Incl. C-38, C46)	C-34	P-99WARGZ00	Motor Lead Assembly
C-3	P-94EAPNZY02	Power Cord	C-35	P-60KCCAZUU3	Dust Cover, V5203, V5204
C-4	SS-3270	Wire Nut	C-35	P-60XCMYZU03	Dust Cover V5210
C-5	P-66KV01V06	Packing, Dust Container	C-36	P-73637	Stretch Hose
C-6	P-03EV07V06	Switch Cover V5203, V5204 (Incl. C-46)	C-37	P-23PJPZV07	Hose Holder
C-6	P-03EV06V06	Switch Cover V5210 (Incl. C-46)	C-38	SS-8017	Cable Tie
C-7	P-73KV0ZV06	Packing, Switch Cover	C-39	P-50522	Motor Protector
C-8	P-77020	Switch Cover Screw	C-40	P-70KJMZ00	Protector Spring, Silver
C-9	P-77043	Screw, Handle	C-41	P-50525	Protector Support
C-10	P-21B-170	Nut, Handle Screw	C-42	P-75682	Protector Case
C-11	P-18420	Supporter, Filter	C-43	P-51E4GZU01	Rubber Protector
C-12	P-18020	HEPA Filter, Secondary	C-44	P-AXWE10J223FE	Flat Washer
C-12	P-MC191H	HEPA Filter, Secondary 2 Pk	C-45	P-06WAPNZ00	Cord Retainer
C-13	P-71125	Wheel	C-46	P-61LAGMZ00	Packing
C-14	P-71375	Roller Shaft	C-47	P-53RJPZV07	Hose Hook
C-15	P-71500	Wheel Stopper	C-48	P-54017	Crevice Tool
C-16	P-77118	Washer	C-49	P-53020	Dusting Brush
C-17	P-MC141M	Paper Bag U6 3 Pk	C-50	P-50040	Wand, Extension
C-17	PR-1471	Paper Bag U6 3 Pk	C-51	P-75928	Wand Holder
C-18	P-AXTN4+45BFY	Screw, Hose Holder	C-52	P-77020	Screw, Tool Holder
C-19	P-75690	Cover, Inlet	C-53	P-93FTEZ0U	Cap, Motor
C-20	P-77020	Screw, Inlet	C-54	P-95BATNZV07	Handle Ass'y (Incl. C-18, C-33, C-37)
C-21	P-75084	Motor Case, V5203, V5204			
C-21	P-75092	Motor Case V5210			
C-22	P-76850	Packing, Rear Cover			
C-23	P-19FJPZV06	Packing, Motor Case			
C-24	P-XTN4+20BFY	Screw, Motor Cover			
C-25	P-60141	Fan Motor			
C-26	P-38HAPNZ0U	Cover Cap V5203			
C-26	P-38HAPNZU00	Cover Cap V5204			
C-27	P-AXYN4+E10FFY	Screw, Ground			
C-28	P-99GAMMZ00	Noise Suppressor			
C-29	P-03F-V00	Motor Support, Rear			
C-30	P-76768	Motor Support, Front			
C-31	P-37GTEZ0U	Jumper Cord			

Original & Replacement

PANASONIC

Models V5210



PARTS LIST (NOZZLE HOUSING)

KEY	PART NO.	DESCRIPTION
A-1	P-73199	Nozzle Housing
A-2	P-10ACRSZV07	Furniture Guard
A-3	P-21HCRSZU03	Window
A-4	P-73900	Plastic Shaft
A-5	P-72404	Nozzle Hose
A-6	P-73736	Frame
A-7	P-77020	Screw
A-8	P-47A2VZV07	Pedal, Handle Release
A-9	P-77206	Pedal Spring
A-10	P-73742	Pedal Shaft
A-11	P-11S2VZW00	Belt Cover
A-12	P-62FAVGZ00	Washer
A-13	P-MC270BV	Belt UB8 2Pk
A-13	PR-1010	Belt UB8
A-14	P-02ACRSZW0H	Body, Upper
A-15	P-12ACRSZW0H	Cap, Body
A-16	P-68A-V30	Screw 10 Pk
A-17	P-71010	Wheel
A-18	P-71354	Shaft, Wheel
A-19	P-76018	Bottom Plate Ass'y
A-20	P-76415	Latch, Bottom Plate

A-21	P-70NYUZ00	Spring, Latch
A-22	P-74ACRSZ000	Packing, Bottom Plate
A-23	P-74ACRSZ000	Packing, Bottom Plate
A-24	P-39A-2V0	Packing, Bottom Plate
A-25	P-20052	Brushroll
A-26	P-XTN4+10BFY	Screw
A-27	P-82ACRRZV07	Holder, Brushroll

PARTS LIST (BRUSHROLL)

B-1	P-22023	Brush Strip 2 Pk
B-2	P-29SBVNZ000	Pulley
B-3	P-41SBVNZ000	Holder
B-4	P-44KBVNZ000	Washer, Felt
B-5	P-20550	End Cap, Non-Belt Side
B-6	P-20551	End Cap, Belt Side
B-7	P-57RBVNZ000	Shaft
B-8	P-56RBYYZ000	Core
B-9	P-23FBVNZ000	E-Clip
B-10	P-74SBVNZ000	Spacer
B-11	P-34SBYYZ000	Spacer, Brush



FOR INTERNAL USE ONLY - 5/06