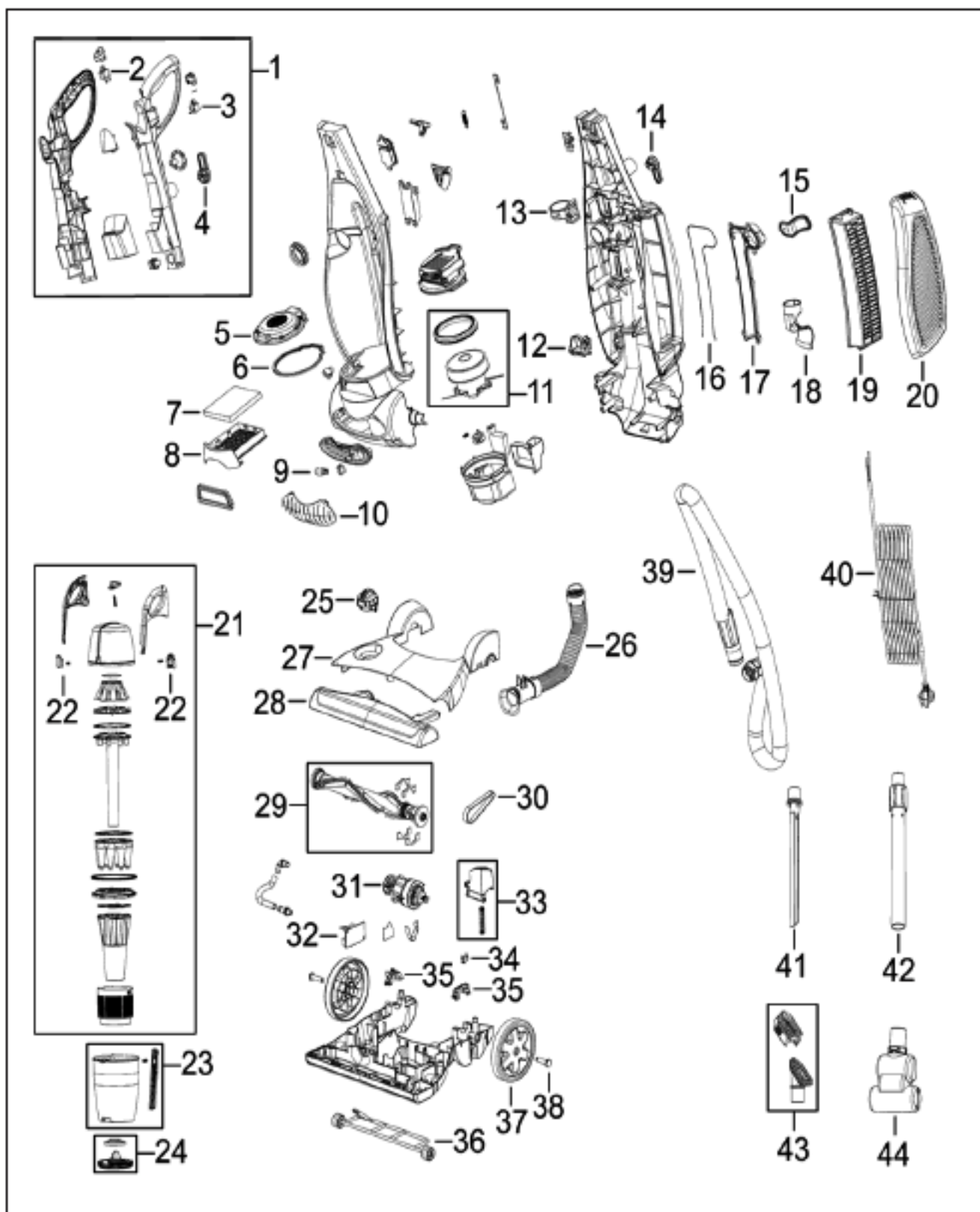


BISSELL Original & Replacement

HEALTHY HOME BAGLESS UPRIGHT SERIES 5770, 5990, 6100



Original & Replacement **BISSELL** HEALTHY HOME BAGLESS UPRIGHT SERIES 5770, 5990, 6100

KEY	PART NO.	DESCRIPTION	KEY	PART NO.	DESCRIPTION
1	B-203-1311	Handle Ass'y	23	B-203-1313	Dirt Bin & Debris Door Ass'y
2	B-203-1316	Power Switch	24	B-203-1299	Debris Door
3	B-203-1317	Brush Switch	25	B-203-1320	Height Adjustment Knob
4	B-203-1315	Cord Wrap	26	B-203-1348	Hose Ass'y
5	B-203-1378	UV Reflector	27	B-203-1321	Top Cover
6	B-203-1308	Cyclone Gasket	28	B-203-1324	Brush Window
7	B-203-1374	Pre Motor Filter	29	B-203-1328	Brush With Felt Gaskets
8	B-203-1352	Pre Motor Filter Tray	30	B-203-1329	Belt
9	B-203-1377	Light Bulb	31	B-203-1350	Brush Motor
10	B-203-1354	Headlight Lens	32	B-203-1349	Circuit Board
11	B-203-1360	Vacuum Motor W/ Gasket & Isolator	33	B-203-1340	Detent Pedal
12	B-203-1356	Lower Wand Support	34	B-203-1347	Micro Switch
13	B-203-1355	Upper Wand Support	35	B-203-1346	Body Pivot Clamp w/Screw
14	B-203-1315	Cord Wrap	36	B-203-1319	Front Wheel Assembly
15	B-203-1357	Hose Clip	37	B-203-1341	Rear Wheel
16	B-203-1379	Diverter Cover Gasket	38	B-203-1345	Axle With E-Ring
17	B-203-1361	Diverter Cover	39	B-203-1359	Hose Assembly
18	B-203-1358	Hose Guide	40	B-203-1318	Cord
19	B-3282	Style 15 HEPA Exhaust Filter	41	B-203-1363	Crevice Tool
20	B-203-1353	Filter Door	42	B-203-1364	Telescopic Plastic Wand
21	B-203-1310	Upper Cyclone Ass'y	43	B-203-1365	Combination Brush
22	B-203-1375	Cyclone Latches & Spring	44	B-203-1362	Turbo Brush