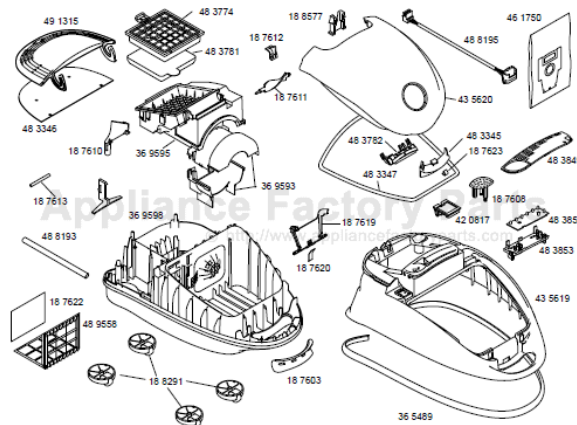


This Owner's Manual is provided and hosted by [Appliance Factory Parts](#).



BOSCH BSG81296 Owner's Manual

[Shop genuine replacement parts for BOSCH BSG81296](#)



[Find Your BOSCH Vacuum Cleaner Parts - Select From 27 Models](#)

----- Manual continues below -----

