

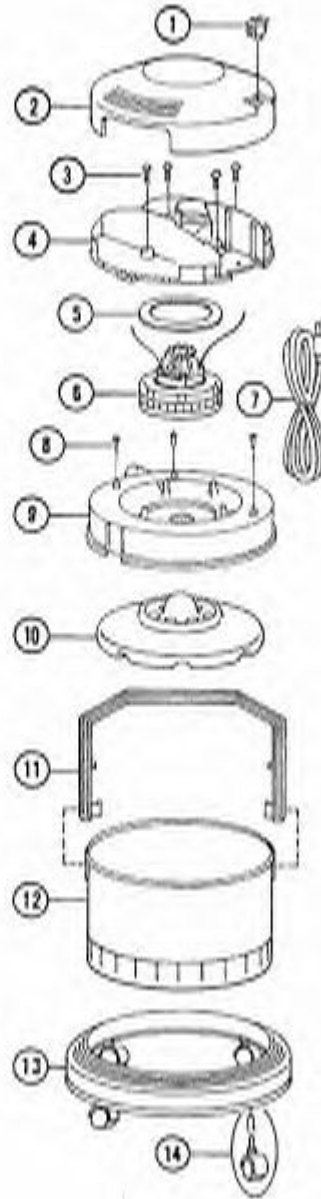


# DEEP CLEANER

FAUCET HOOK-UP MOD 1655

Key No.	Part No.	Part Desc.
01	<a href="#">2108827</a>	SWITCH 1 SPD 8 AMP VAC REPL
02	<a href="#">0142910</a>	COVER MOTOR ST GREY 1655 *RBO
03	<a href="#">8807038</a>	SCREW #8 X 3/4" PLAS PHL/HEX
04	<a href="#">0134708</a>	HSG MOTOR ST GREY 1655
05	<a href="#">0107762</a>	SEAL NITRILE PVC 1655/1660
06	<a href="#">0106005</a>	MTR, PLGON TRMS/NO CAP 1169*RBO
07	<a href="#">0102872</a>	CORD LTGREY 1655 PLUG-ON
08	<a href="#">2807026</a>	SCREW #8X1/2 PLAST 3-PCK REPL
11	<a href="#">2134463</a>	HANDLE LT GREY 1655 REPL
12	<a href="#">0149013</a>	TANK H.S. WHITE 1655 *RBO
14	<a href="#">0102284</a>	CASTER 118LT GREY-UNIV. 4PK
15	<a href="#">2130330</a>	BALL FLOAT SHUTOFF GREY REPL

MOD 1655  
DISCONTINUED  
IN 1997



FLOAT DISC (10) WAS  
REPLACED WITH BALL  
AND CAGE ON 1-4-96  
BALL 013-0330  
CAGE 013-1816

