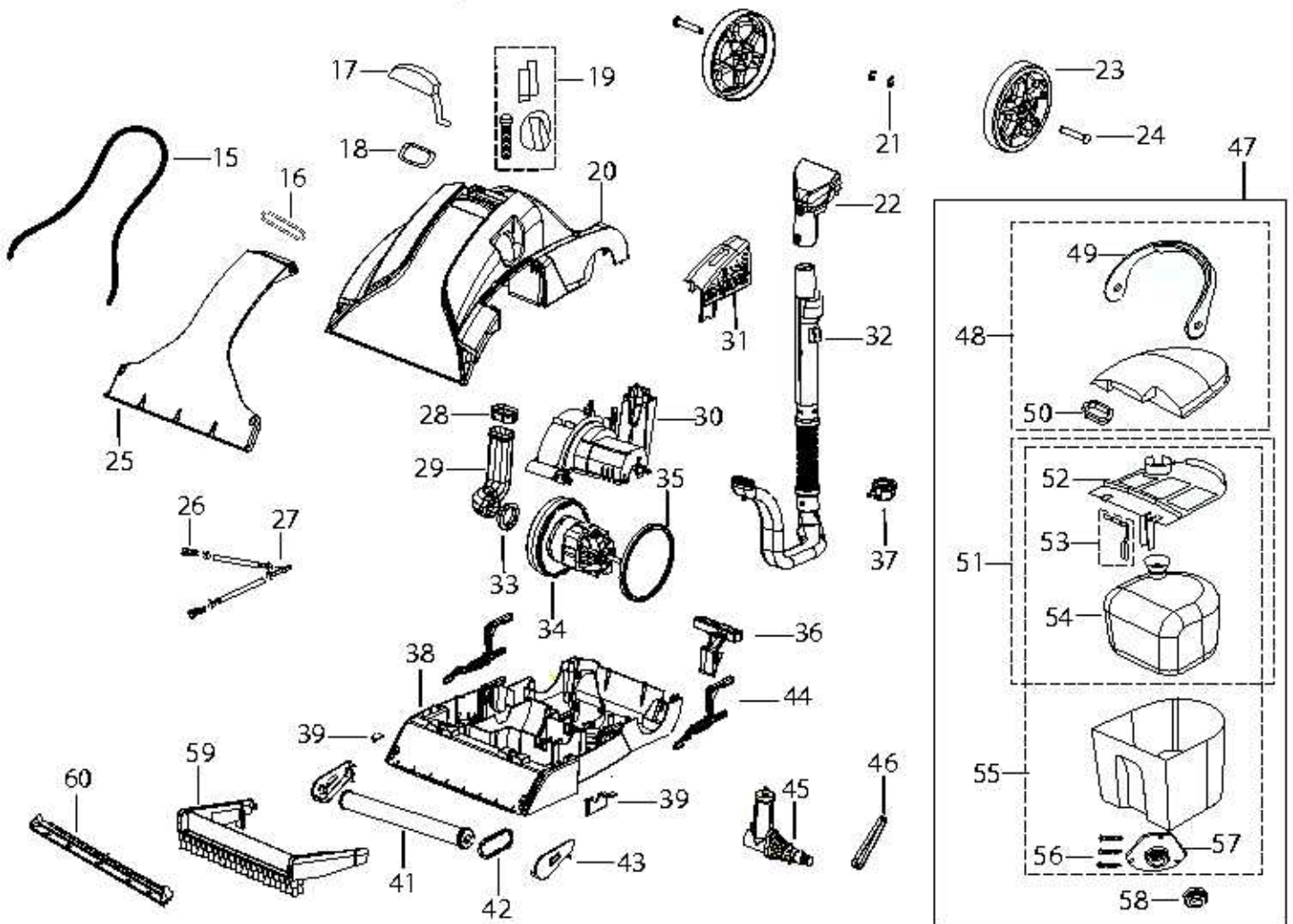
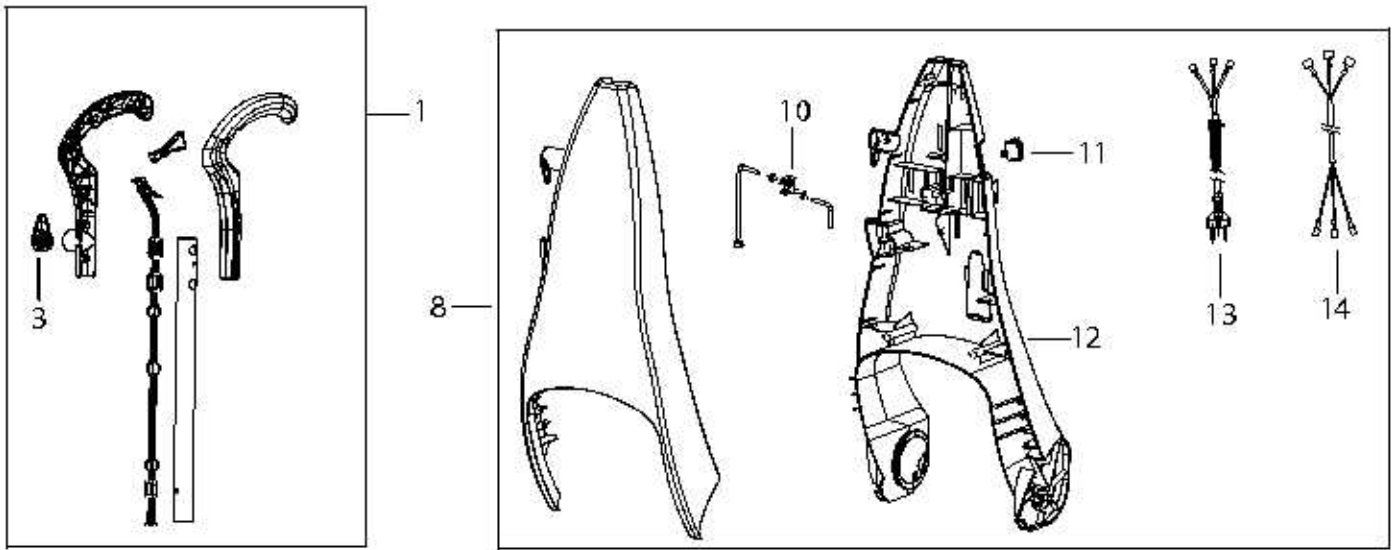




# Upright Deep Cleaner

## Models 1693, 1694



# Upright Deep Cleaner

POWERSTEAMER 1693,1694



KEY	PART NO	DESCRIPTION	KEY	PART NO	DESCRIPTION
1	2144023	HANDLE & GRIP ASSY MED BLUE	46	2150628	PUMP BELT
1	2144025	HANDLE & GRIP ASSY WHITE	47	0159043	TANK ASSY W/ LINT SCN
3	0106387	CORD WRAP - BLUE	48	0154439	TANK LID W/ SCN, GASKET, & HANDLE
3	0106397	CORD WRAP - WHITE	49	2034435	TANK HANDLE
8		LOWER HANDLE COMPLETE, BLUE	50	2133501	LINT SCREEN, RED
8	0144048	LOWER HANDLE COMPLETE, WHITE	51	2140213	BAFFLE & BLADDER ASSY
10	0159595	VALVE ASSY W/ VINYL TUBE	52	2130213	BAFFLE & FLOAT ASSY
11	5559125	SWITCH ROCKER, RED	53	2140325	FLOAT ASSY
12		HANDLE BACK ASSY, BLUE	54	2100315	BLADDER
12	2144048	HANDLE BACK ASSY, WHITE	55	0159041	TANK BOTTOM W/ AUTOLOAD
13	0102836	CORDSET 1693	56	2807075	SCREW #6 x 1/2
13	2102822	CORDSET 1694	57	2107041	AUTO LOAD ASSY
14	2104446	HARNES W/ INS TERMINALS	58	2106241	OVERSEAL FOR AUTOLOAD
15	2103418	GASKET EXTRUDED .136" x .32"	59	2151190	BRUSH STATIONARY TUFTED
16	2104052	TANK INTERFACE SEAL	60	2149131	BARE FLOOR ATTACHMENT
17	2136988	DIVERTER			
18	2114054	DIVERTER GASKET	xx	2133010	MEASURING CUP
19	2145170	DIVERTER KNOB ASSY	xx	2807030	SCREW #8 x 3/4
20	2144941	MAIN HOUSING, WHITE	xx	2158001	T ASSY ODD BARB
20	0144928	MAIN HOUSING, BLUE	xx	2108420	SPRING ELEVATOR
21	2106215	E-RING	xx	2102485	CLAMP LARGE
22	2159155	TUFF STAIN TOOL 3"	xx	2102490	CLAMP SMALL
23	2139754	WHEEL	xx	0139438	TUBE VINYL 20"
24	2100170	AXLE	xx	0136449	TUBE VINYL 7.5"
25	2149871	WINDOW NOZZLE, BLUE	xx	2105898	USER'S GUIDE
25	2149870	WINDOW NOZZLE, CLEAR			
26	2106107	SPRAY TIP			
27	2102602	CONNECTOR T			
28	2104050	DUCT GASKET			
29	2103161	MOTOR DUCT			
30	2132984	MOTOR COVER			
31	3132944	BELT COVER, WHITE			
31	2132970	BELT COVER, BLUE			
32	2103951	HOSE/DUCT/GRIP ASSY 6'			
33	2104051	MOTOR INTAKE GASKET			
34	0175972	MOTOR			
35	2104056	MOTOR GASKET			
36	5559102	PEDAL - HANDLE RELEASE			
37	2140710	RECEIVER - AUTOLOAD			
38	3140456	BASE W/ STATIONARY BRUSH			
38	2130432	BASE W/ ROTARY BRUSH			
39	5559113	ARM RETAINER RT & LT			
41	2101174	BRUSH DOWEL TUFTED			
42	0150621	BRUSH BELT			
43	2000011	PIVOT ARM LEFT & RIGHT KIT			
44	2000010	LEVER ELEVATOR LEFT & RIGHT			
45	2107181	PUMP			

1693 = BLUE w/ STATIONARY BRUSH

1694 = WHITE w/ ROTATING BRUSH