

This Owner's Manual is provided and hosted by [Appliance Factory Parts](#).



# Bissell 1715 Owner's Manual

[Shop genuine replacement parts for Bissell 1715](#)



[Find Your Bissell Vacuum Cleaner Parts - Select From 376 Models](#)

----- Manual continues below -----



# Spot Lifter®

## USER'S GUIDE

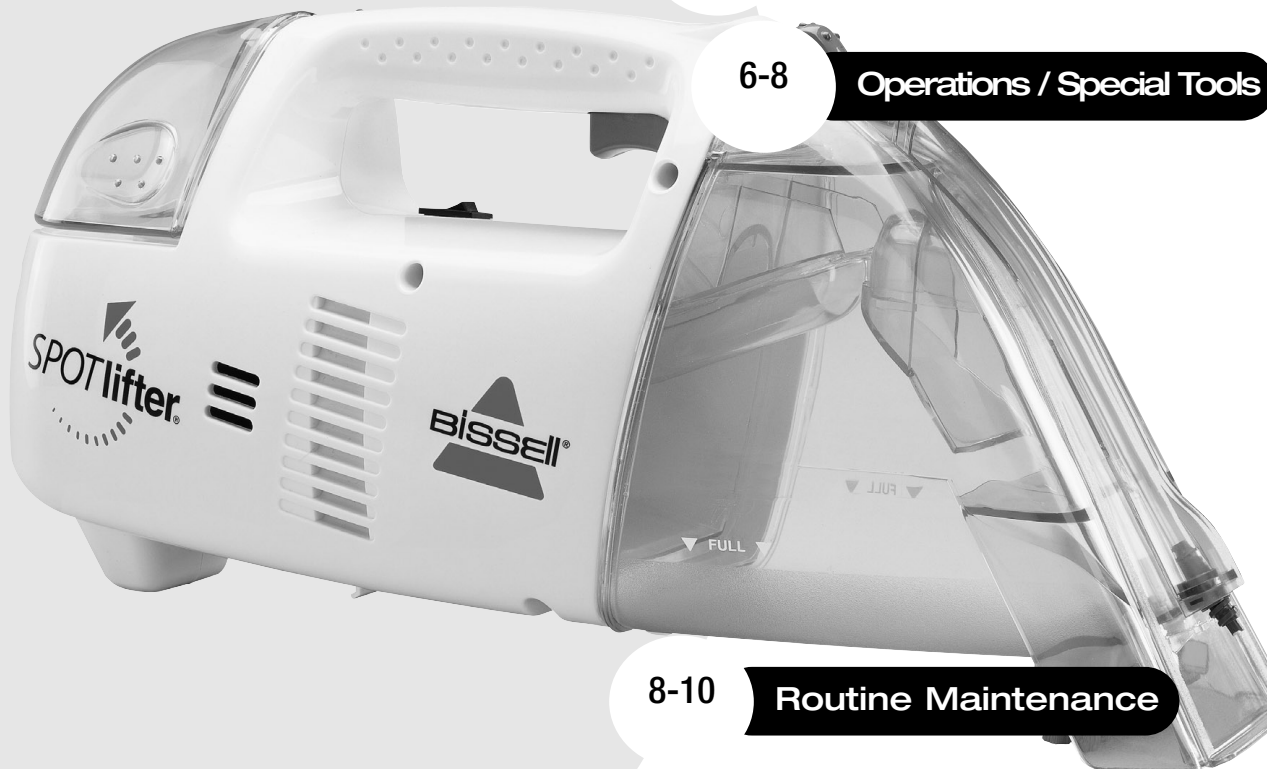
### 1715 SERIES

3 Safety Instructions

4 Product View

5 Product Features

6-8 Operations / Special Tools



8-10 Routine Maintenance

10 Troubleshooting

11 Consumer Services

11 Replacement Parts

12 Warranty



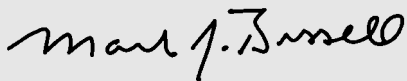
*Thanks for buying a BISSELL Spot Lifter Cordless Hand-Held Deep Cleaner*

We're glad you purchased a BISSELL Spot Lifter Cordless Hand-Held Deep Cleaner. Everything we know about home care went into the design and construction of this handy, high-tech home cleaning system.

Your Spot Lifter is well made, and we back it with a limited one-year warranty. We also stand behind it with a knowledgeable, dedicated Consumer Services department, so, should you ever have a problem, you'll receive fast, considerate assistance.

My great-grandfather invented the floor sweeper in 1876. Today, BISSELL is a global leader in the design, manufacture, and service of high quality homecare products like your Spot Lifter.

Thanks again, from all of us at BISSELL.



Mark J. Bissell  
President and Chief Executive Officer

# IMPORTANT SAFETY INSTRUCTIONS

When using an electrical appliance, basic safety precautions should be observed, including the following:

**READ ALL INSTRUCTIONS BEFORE USING YOUR BISSELL SPOT LIFTER CORDLESS HAND-HELD DEEP CLEANER.**

**⚠ WARNING:** To reduce the risk of fire, electric shock, or injury:

- Store indoors.
- Do not expose to rain.
- Do not immerse.
- Do not handle with wet hands.
- Do not use Spot Lifter if it has been dropped, damaged, left outdoors or dropped into water, have it repaired at an Authorized Service Center.
- Do not use with damaged cord or plug on the charger.
- Do not unplug charger by pulling on cord.
- Do not damage the charger cord. Never carry or pull the storage base, charger unit, by the cord, use cord as a handle, close door on cord, or pull cord around sharp edges or corners. Keep cord away from heated surfaces.
- Do not use an extension cord. Charger should plug directly into electrical outlet.
- Do not put any object into appliance openings, use with blocked opening, or restrict air flow. Do not use with any opening blocked.
- Do not expose hair, loose clothing, fingers or body parts to openings or moving parts.
- Do not pick up hot, burning or smoking objects such as cigarettes, matches or hot ashes.
- Do not pick up flammable or combustible materials (lighter fluid, gasoline, kerosene, etc.) or use in the presence of explosive liquids or vapor.
- Do not use appliance in an enclosed space filled with vapors given off by oil base paint, paint thinner, some moth proofing substances, flammable dust, or other explosive or toxic vapors.
- Do not pick up toxic material (chlorine bleach, ammonia, drain cleaner, gasoline, etc.)
- Do not allow to be used as a toy. Close attention is necessary when used by or near children.
- Do not use for any purpose other than described in this User's Guide.
- Use only manufacturer's recommended attachments - use of attachments not provided or sold by BISSELL may cause fire, electric shock or injury.
- Use only cleaning products formulated or recommended by BISSELL for this appliance.
- Use only the charger supplied by BISSELL (packaged with your appliance) to recharge your Spot Lifter.
- Use charger unit only in standard electrical outlet (120v-60 hz).
- Keep openings free of dust, lint, hair, etc.
- Unplug charger unit from outlet before maintenance or cleaning.
- Unplug by grasping the plug, not the cord.
- Be extra careful when cleaning stairs.
- Turn off all controls before unplugging.

Your Spot Lifter contains rechargeable nickel cadmium batteries. Do not incinerate batteries or they can explode when exposed to high temperatures.

Battery cell leaks can occur under extreme conditions. If battery cell liquid comes in contact with the skin:

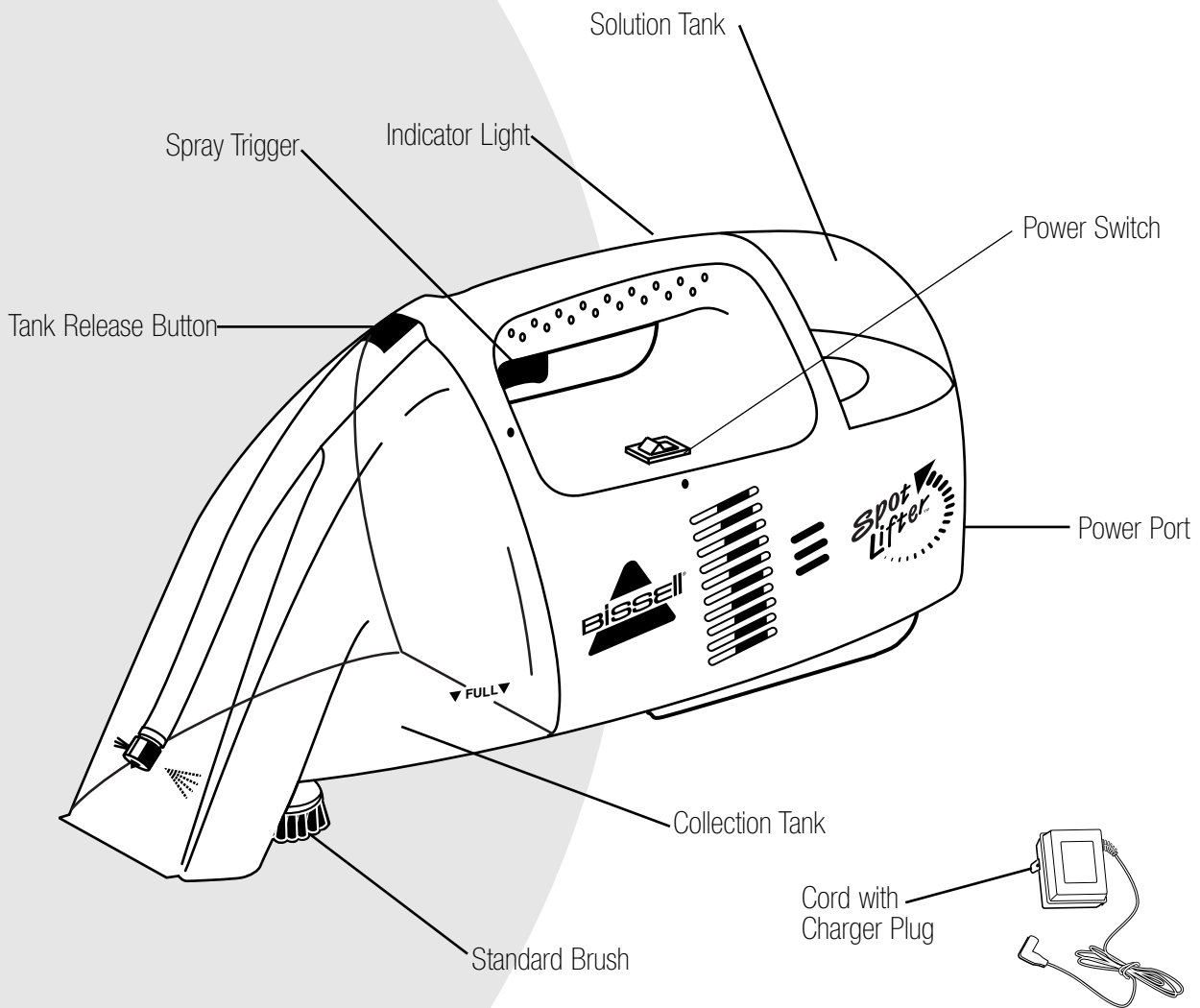
- Wash immediately with soap and water, then neutralize with a mild acid such as vinegar or lemon juice.
- If battery cell liquid gets into the eyes:
- Flush immediately with clean water for a minimum of 10 minutes.
- Seek medical attention.

**WARNING:** The Power Cord on this product contains lead, a chemical known to the State of California to cause birth defects or other reproductive harm.

**WASH HANDS AFTER HANDLING.**

**SAVE THESE INSTRUCTIONS.**

**This model is for household use only.**



**CAUTION:** Use only BISSELL Little Green® formula in your cleaner. Use of cleaning formulas which contain lemon or pine oil may damage this appliance and void warranty. Do not use chemical spot cleaners or solvent-based soil removers. These products may react with the plastic materials used in your cleaner, causing cracking or pitting.

## How to use this guide

This User's Guide has been designed to help you get the utmost satisfaction from your Spot Lifter Cordless Hand-Held Deep Cleaner. You'll find assembly directions, instructions for all cleaning tasks, safety precautions, plus maintenance and troubleshooting instructions. Please read this Guide thoroughly before using your Spot Lifter. Pay particular attention to the parts diagram, assembly instructions, and part names. Familiarize yourself with the controls and how they're used. Following the Guide will greatly enhance your ability to get the best performance from your Spot Lifter for many years.

## Product Features

### **Solution Tank**

Holds BISSELL Little Green® Formula and water (See "How to use Your Spot Lifter / Filling Your Solution Tank," Page 6)

### **Collection Tank**

Empty after each use, or when dirty water reaches the indicated maximum fill line (12 oz.). (See "When You're Done," page 8.)

### **Tank Release Button**

Press to remove the Collection Tank.

### **Indicator Light**

Glows red when unit is charging.

### **Power Switch**

Activates vacuum and pump.

### **Power Port**

Connect small plug of charger cord here to charge Spot Lifter.

### **Spray Trigger**

Depress to spray cleaning solution and water.

### **Standard Brush**

For scrubbing stubborn spots and soil. Removable for use on or off the unit.

### **Cord with Charger Plug**

Plugs into electrical outlet. Spot Lifter has not been designed to operate while plugged in with the charger.

## Charging The Battery

- 1.** When charging for the first time, allow to charge uninterrupted for at least 24 hours.
- 2.** Your Spot Lifter should be in charge mode whenever you are not using it. When charging, the Spot Lifter and charger may become warm to the touch. This is normal, and no cause for concern.
- 3.** Make certain the Spot Lifter is turned OFF. Switch must be in "OFF" position to charge.
- 4.** When completely charged, your Spot Lifter will operate for up to 5 minutes. When completely discharged, it will take approximately 12 hours to fully recharge.
- 5.** If necessary, your Spot Lifter can be charged by connecting the round end of the Power Cord into the special Power Port at the back of the unit.
- 6.** Decreased operating time may indicate that the battery has built up a charging resistance. To recharge, first completely exhaust the battery, recharge it, then exhaust it once again before recharging a second time. This procedure may be required more than once. If your battery still fails to recharge, or hold a charge through normal duration (5 minutes), call:

### **BISSELL Consumer Services** **1-800-237-7691**

Monday - Friday      8 am. — 10 pm. ET  
Saturday              9 am. — 8 pm.

### Tip:

For maximum battery life, completely discharge and recharge Spot Lifter every 1-2 months.

## How To Use Your Spot Lifter

### Filling Your Solution Tank

- 1.** Remove Solution Tank by grasping the indentations with thumb and finger firmly, and pulling it straight up.
- 2.** Open the Tank by unscrewing and removing the cap. Add BISSELL Little Green formula to the indicated "Formula" line on Tank.

**NOTE: Your Spot Lifter is shipped with starter bottle of formula.**

## Filling Your Solution Tank Continued

3. Fill the Solution Tank with warm tap water to the indicated "Water" line (8-oz.). Replace the cap before placing the Tank back into the unit.
4. Replace the Solution Tank by positioning the rubber fitting into the hole inside the Spot Lifter body. Press Tank gently until it fits snugly.

## Pre-treating

1. Activate vacuum/spray by pressing Power Switch "ON".
2. Pre-treat stained or highly soiled areas: Hold Spot Lifter above soiled surface, then press trigger to spray cleaning solution.
3. Wait 3 - 5 minutes before cleaning.

### Tip:

Fast attention to a spill on upholstery can prevent permanent staining.

## Deep Cleaning Carpet

1. Activate vacuum/spray by pressing Power Switch "ON".
2. Hold Spot Lifter above soiled surface, and press trigger to spray cleaning solution.
3. Press front of Spot Lifter firmly against surface and pull toward you to remove cleaning solution and soil.
4. Repeat Steps 2 and 3 until no more dirt or cleaning solution can be removed. **Do not overwet.**
5. For stubborn soil, use brush to gently scrub soiled area while continuing to spray cleaning solution. To remove brush from unit, gently pull on brush tab and lift out.
6. Check the Collection Tank and empty the tank if it is full. (See WHEN YOU'RE DONE, page 8).
7. If Spot Lifter stops spraying, turn off Power Switch and check cleaning solution level. Refill if needed. Never run dry.

### Tip:

Use the brush after you've applied cleaning solution and removed any surface soil. Using the brush before this step can push soil more deeply into carpet.

## Deep Cleaning Upholstery

- 1.** Check manufacturer's tag before cleaning. "W" or "WS" on the tag means you can use your Spot Lifter. If tag is coded with an "S" (with diagonal strike-through), or says "Dry Clean Only," do not proceed.
- 2.** If manufacturer's tag is missing or not coded, check with your furniture dealer.
- 3.** If possible, check upholstery stuffing. Colored stuffing may bleed through fabric when wet.

## Cleaning Spills From Hard Surfaces

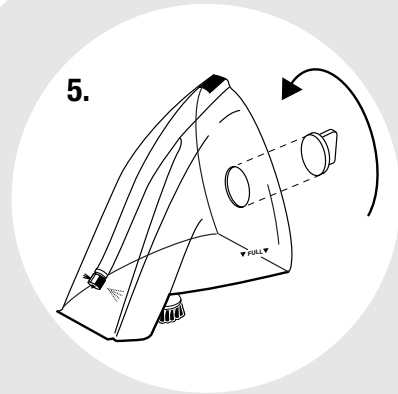
- 1.** Activate vacuum/pump by pressing Power Switch "ON".
- 2.** Press front of Spot Lifter firmly against surface to vacuum spill.
- 3.** Press trigger to spray cleaning solution.
- 4.** Press front of Spot Lifter firmly against surface to vacuum cleaning solution.
- 5.** Check the Collection Tank and empty the tank if it is full. (see WHEN YOU'RE DONE, page 9).
- 6.** If Spot Lifter stops spraying, turn off Power Switch and check cleaning solution level. Refill if needed. Never run dry.

## When You're Done

- 1.** Turn Power Switch to "OFF" position.
- 2.** Empty the Collection Tank after each use.
- 3.** Carry Spot Lifter to sink or drain.
- 4.** Remove the Collection Tank by pressing the Tank Release Button at the top of the tank, immediately in front of the handle. The Tank will pivot out on a "hinge" at the bottom of the unit. Keep one hand underneath Tank as it releases, then gently lift to disengage the Tank from the hinge.

## When You're Done Continued

5. Remove the Tank Plug by turning approximately 1/4 turn counterclockwise and lifting out. Empty Tank.
6. Fill Collection Tank with clean water. Rinse thoroughly and discard water. Be sure to rinse nozzle area.
7. Replace Plug and turn approximately 1/4 turn clockwise, until snug.
8. To replace the Tank, engage hinge at bottom and tilt Tank up to Handle, making sure that the Cleaning Solution connection in the Handle enters the port in the Tank. Depress the Tank Release Button, and snap the Tank into place. Test for a secure fit before using.
9. Check the Solution Tank. If a significant amount of BISSELL Little Green formula/water remains, you may leave it in the Solution Tank for your next cleaning task.
10. Check Spray Nozzle for accumulated dirt or debris. If necessary, clean with soft bristle brush.
11. Recharge Spot Lifter.



## Putting It Away

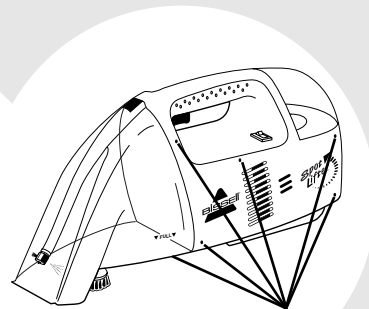
1. Clean exterior surfaces of Spot Lifter with a soft cloth dampened with water only. Do not use a strong detergent or other cleaners, as this may damage the finish.
2. Store Spot Lifter in a protected, dry area, at room temperature (40° - 110°F).

## Battery Removal And Disposal



1. Important: Unplug charger.
2. Remove tanks (front and rear) and discard.
3. Remove screws (6) holding Product Housing together (see diagram).
4. Use screwdriver to score Rating Label on bottom of unit.
5. Separate Housings and locate Battery Pack in bottom/ centre of unit.

**WARNING:**  
This product contains a rechargeable nickelcadmium battery (sometimes referred to as a "Ni-Cad" battery) pack. The average life of a Ni-Cad battery is 5-7 years, depending on frequency of use. According to Federal regulations, proper removal and disposal of Ni-Cad batteries are required.



## Battery Removal And Disposal Continued

6. Remove wire connectors from the Battery Pack.
7. Keep Battery Pack together - **DO NOT** separate individual batteries. For specific disposal instructions of batteries, please contact:  
RBRC (Rechargeable Battery Recycling Corporation)  
**1-800-822-8837.**
8. Discard remainder of product.

## Troubleshooting

**!WARNING:**  
To reduce the risk of fire, electric shock or injury, unplug charger from outlet before servicing

### **Reduced suction/no suction.**

Possible Causes	Remedies
Collection Tank is full	Empty Collection Tank
Collection Tank Drain Plug is loose	Check Plug for snug fit
Batteries weak/undercharged	Recharge according to instructions

### **Reduced spray/no spray.**

Possible Causes	Remedies
Solution Tank is empty	Refill Solution Tank
Pump not primed	While Spot Lifter is turned on, press Spray Trigger and gently rock Spot Lifter back and forth
Batteries weak/undercharged	Recharge according to instructions

### **Spot Lifter is not powered/underpowered.**

Possible Causes	Remedies
Charger/plug not connected	Check for red light on Spot Lifter when it is plugged in. Is Spot Lifter correctly seated in storage/charging bracket? Is charger plug completely plugged into wall outlet? Is charging cord completely plugged into port at back of unit? Was Spot Lifter stored with Power Switch in "OFF" position?

### **Spot Lifter will not charge.**

Possible Causes	Remedies
Charger/plug not connected	Is Power Switch in "OFF" position? Check for red light on Spot Lifter when it is plugged in Is Spot Lifter correctly seated in storage/charging bracket? Is charger plug completely plugged into wall outlet? Is charging cord completely plugged into port at back of unit?

## BISSELL Consumer Services

For information about repairs or replacement parts, or questions about your warranty, call:

**BISSELL Consumer Services**  
**1-800-237-7691**

Monday - Friday      8 am. — 10 pm. ET  
 Saturday              9 am. — 8 pm. ET

Or write:

BISSELL HOMECARE, INC  
 PO Box 3606  
 Grand Rapids MI 49501  
 ATTN: Consumer Services

Or visit the BISSELL website - [www.bissell.com](http://www.bissell.com)

When contacting BISSELL, have model number of unit available.

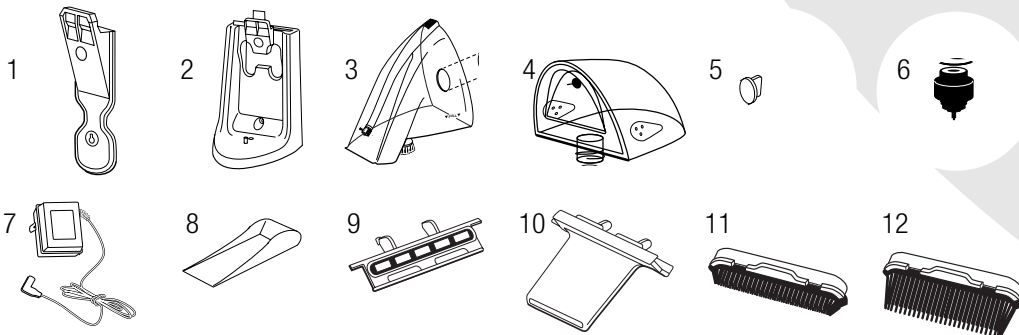
Please record your Model Number: \_\_\_\_\_

Please record your Purchase Date: \_\_\_\_\_

**NOTE: Please keep your original sales receipt. It provides proof of date of purchase in the event of a warranty claim. See "About Your Warranty" on page 12 for details.**

## Replacement parts - BISSELL Spot Lifter

Item	Part No.	Part Name
1*	603-2501	Wall Mount
2*	603-2502	Deluxe Wall Mount with Charger Brackets
3	603-2525	Collection Tank with plug (Sky Blue)
	603-2542	Collection Tank with plug (Aruba)
4	203-2500	Solution Tank with Cap (Sky Blue)
	603-2543	Solution Tank with Cap (Aruba)
5	203-2504	Collection Tank Plug
6	203-2512	Solution Tank Cap
7	203-2506	Charger/Charger Cord
8*	203-2507	Detachable Scoop
9*	203-2508	Squeegee
10*	603-2509	Crevice Tool
11	203-2510	Standard Brush
12*	603-2511	Upholstery Brush



\* Not all parts included with every model

## About Your Warranty

This warranty gives you specific legal rights, and you may also have other rights which may vary from state to state. If you need additional instruction regarding this warranty or have questions regarding what it may cover, please contact BISSELL Consumer Services by E-mail, telephone, or regular mail as described below.

### Limited **One** Year Warranty

Subject to the \*EXCEPTIONS AND EXCLUSIONS identified below, upon receipt of the product BISSELL Homecare Inc. will repair or replace (with new or remanufactured components or products), at BISSELL's option, free of charge from the date of purchase by the original purchaser, for one year any defective or malfunctioning part.

See information below on "If your BISSELL product should require service".

This warranty applies to product used for personal, and not commercial or rental service. This warranty does not apply routine maintenance components such as filters, belts, or brushes. Damage or malfunction caused by negligence, abuse, or use not in accordance with the User's Guide is not covered.

### **If your BISSELL product should require service:**

Contact BISSELL Consumer Services to locate a BISSELL Authorized Service Center in your area.

If you need information about repairs or replacement parts, or if you have questions about your warranty, contact BISSELL Consumer Services.

#### **Website or E-mail:**

[www.bissell.com](http://www.bissell.com)

Use the "Customer Services" tab.

#### **Or Call:**

BISSELL Consumer Services

1-800-237-7691

Monday - Friday 8 am. - 10 pm. ET

Saturday 9 am. - 8 pm. ET

#### **Or write:**

BISSELL Homecare Inc.

PO Box 3606

Grand Rapids MI 49501

ATTN: Consumer Services

BISSELL HOMECARE, INC. IS NOT LIABLE FOR INCIDENTAL OR CONSEQUENTIAL DAMAGES OF ANY NATURE ASSOCIATED WITH THE USE OF THIS PRODUCT. BISSELL'S LIABILITY WILL NOT EXCEED THE PURCHASE PRICE OF THE PRODUCT.

Some states do not allow the exclusion or limitation of incidental or consequential damages, so the above limitation or exclusion may not apply to you.

#### \*EXCEPTIONS AND EXCLUSIONS FROM THE TERMS OF THE **LIMITED** WARRANTY

THIS WARRANTY IS EXCLUSIVE AND IN LIEU OF ANY OTHER WARRANTIES EITHER ORAL OR WRITTEN. ANY IMPLIED WARRANTIES WHICH MAY ARISE BY OPERATION OF LAW, INCLUDING THE IMPLIED WARRANTIES OF MERCHANTABILITY AND FITNESS FOR A PARTICULAR PURPOSE, ARE LIMITED TO THE ONE YEAR DURATION FROM THE DATE OF PURCHASE AS DESCRIBED ABOVE.

Some states do not allow limitations on how long an implied warranty lasts, so the above limitation may not apply to you.



©2003 BISSELL HOMECARE, Inc.  
Grand Rapids, Michigan  
All rights reserved. Printed in China  
Part Number 603-2304  
Rev 7/03

Visit our website at:  
[www.bissell.com](http://www.bissell.com)