

This Owner's Manual is provided and hosted by [Appliance Factory Parts](#).



# Bissell 1950 Owner's Manual

[Shop genuine replacement parts for Bissell 1950](#)



[Find Your Bissell Vacuum Cleaner Parts - Select From 376 Models](#)

----- Manual continues below -----



# QuickSteamer®

## USER'S GUIDE

1950 SERIES QUICKSTEAMER  
2050 SERIES QUICKSTEAMER POWERBRUSH



3 Safety Instructions

4 Product View

5 Assembly/Accessories

6-9 Operations / Special Tools

10 Routine Maintenance

10 Troubleshooting

11 Customer Service

11 Replacement Parts

12 Warranty



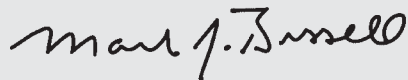
*Thanks for buying a BISSELL QuickSteamer®*

We're glad you purchased a BISSELL® QuickSteamer® Lightweight Deep Cleaner. Everything we know about floor care went into the design and construction of this complete, high-tech deep cleaning system.

Your QuickSteamer® is well made, and we back it with a limited one-year warranty. We also stand behind it with a knowledgeable, dedicated Customer Service department, so, should you ever have a problem, you'll receive fast, considerate assistance.

My great-grandfather invented the floor sweeper in 1876. Today, BISSELL is a global leader in the design, manufacture, and service of high quality homecare products like your QuickSteamer®.

Thanks again, from all of us at BISSELL.



Mark J. Bissell  
President and Chief Executive Officer

# IMPORTANT SAFETY INSTRUCTIONS

**When using an electrical appliance, basic precautions should be observed, including the following:**

**Read all instructions before using your QUICKSTEAMER®.**

**To reduce the risk of fire, electric shock or injury:**

## **⚠ WARNING:**

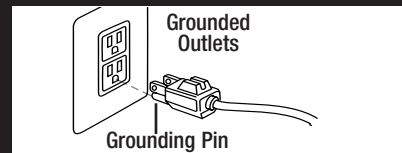
- Do not expose to rain, store indoors.
- Do not leave QUICKSTEAMER® when it is plugged in.
- Do not service QUICKSTEAMER® when it is plugged in.
- Do not use with damaged cord or plug.
- Do not use QUICKSTEAMER® if it has been dropped, damaged, left outdoors or dropped into water, have it repaired at an Authorized Service Centre.
- Do not pull or carry by cord, use cord as a handle, close door on cord, pull cord around sharp corners or edges, run appliance over cord, or expose cord to heated surfaces.
- Do not carry the appliance while in use.
- Do not handle QUICKSTEAMER® plug or appliance with wet hands.
- Do not put any object into appliance openings, use with blocked opening, or restrict air flow.
- Do not expose hair, loose clothing, fingers or body parts to openings or moving parts.
- Do not pick up hot or burning objects.
- Do not pick up flammable or combustible materials (lighter fluid, gasoline, kerosene, etc.) or use in the presence of explosive liquids or vapour.
- Do not use appliance in an enclosed space filled with vapours given off by oil base paint, paint thinner, some moth proofing substances, flammable dust, or other explosive or toxic vapours.
- Do not pick up toxic material (chlorine bleach, ammonia, drain cleaner, gasoline, etc.).
- Do not modify the 3-prong grounded plug.
- Do not allow to be used as a toy.
- Do not use for any purpose other than described in this User's Guide.
- Use only on surfaces moistened by cleaning process.
- Connect to a properly grounded outlet only. See Grounding Instructions.
- Unplug from outlet when not in use and before conducting maintenance or trouble shooting.

- Do not unplug by pulling on cord.
- Use only manufacturer's recommended attachments.
- Use only cleaning products formulated by BISSELL for use in this appliance.
- Keep openings free of dust, lint, hair, etc.
- Keep appliance on a level surface.
- Turn off all controls before unplugging.
- Unplug by grasping the plug, not the cord.
- Be extra careful when cleaning stairs.
- Close attention is necessary when used by or near children.

## **SAVE THESE INSTRUCTIONS.**

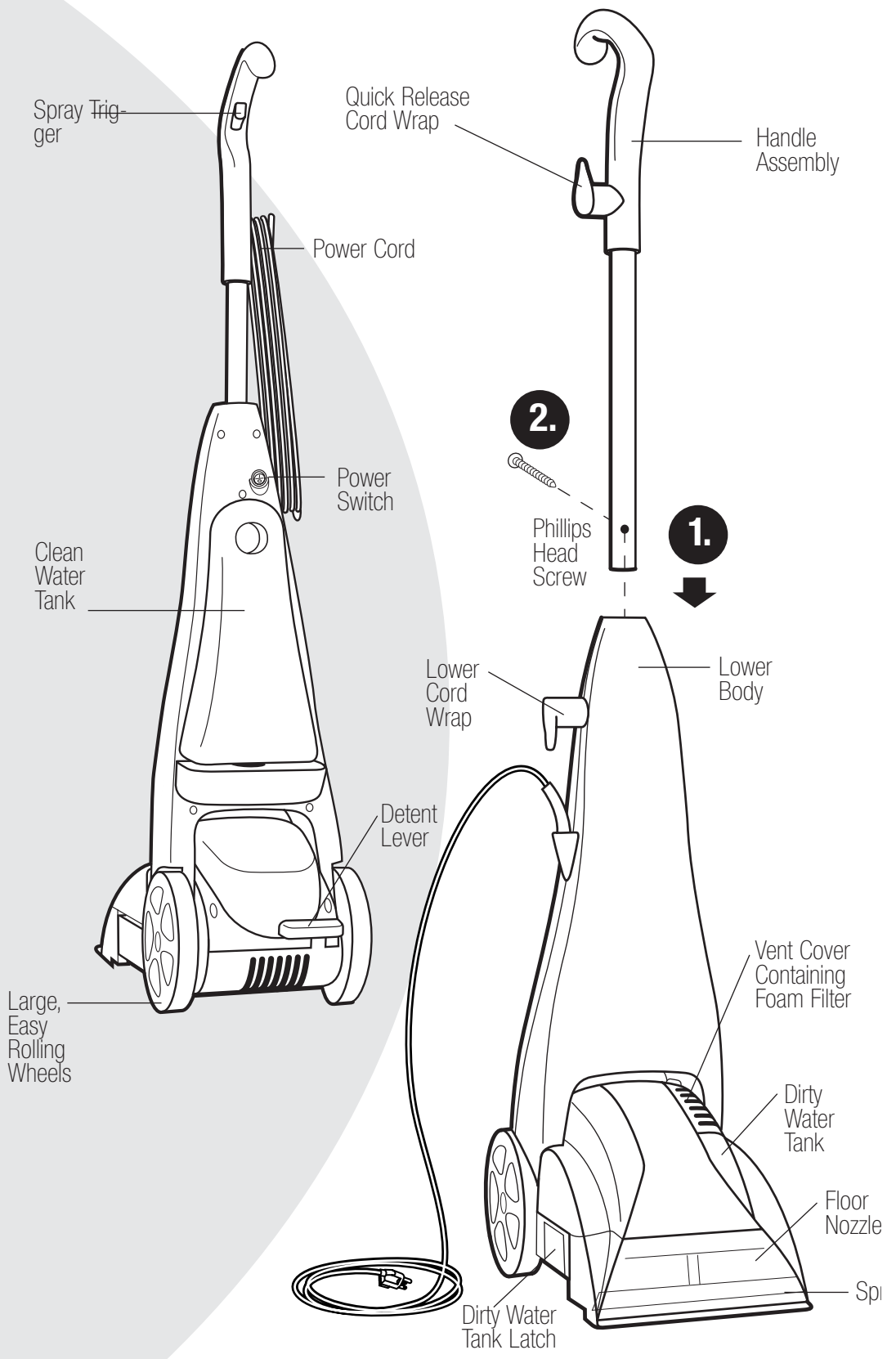
## **GROUNDING INSTRUCTIONS.**

**This appliance must be connected to a grounded wiring system. If it should malfunction or break down, grounding provides a safe path of least resistance for electrical current, reducing the risk of electrical shock. The cord for this appliance has an equipment-grounding conductor and a grounding plug. It must only be plugged into an outlet that is properly installed and grounded in accordance with all local codes and ordinances.**



**⚠ WARNING:** Improper connection of the equipment-grounding conductor can result in a risk of electrical shock. Check with a qualified electrician or service person if you aren't sure if the outlet is properly grounded. **DO NOT MODIFY THE PLUG.** If it will not fit the outlet, have a proper outlet installed by a qualified electrician. This appliance is designed for use on a nominal 120-volt circuit, and has a grounding attachment plug that looks like the plug in the drawing above. Make certain that the appliance is connected to an outlet having the same configuration as the plug. No plug adapter should be used with this appliance.

This model is for household use only.



## How To Use This Guide

This User's Guide has been designed to help you get the utmost satisfaction from your BISSELL QuickSteamer Lightweight Deep Cleaner. You'll find assembly and operating instructions, safety precautions, as well as maintenance and troubleshooting instructions. Please read this Guide thoroughly before assembling your cleaner.

Pay particular attention to the product diagram, assembly instructions, and part names. Locate and organize all parts before assembly. Familiarize yourself with the parts and where they go. Following this User's Guide will greatly enhance your ability to get the most performance from your BISSELL QuickSteamer for many years.

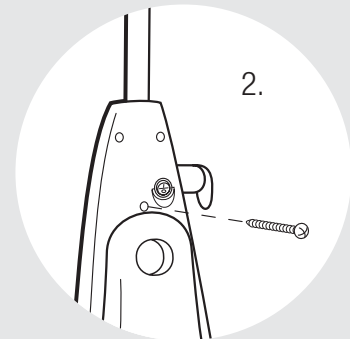
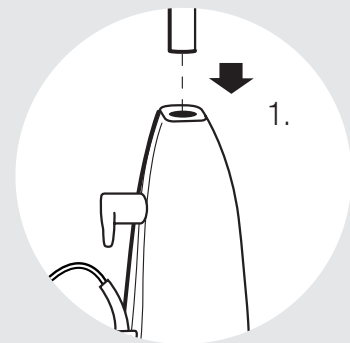
Your QuickSteamer comes in two, easy to assemble components:

Detachable Handle Assembly  
Lower Body

## How To Put It Together

Your QuickSteamer is packaged as two primary components - the Lower Body and the Handle Assembly. Your QuickSteamer assembles easily in two quick steps. The only tool you'll need to assemble your cleaner is a Phillips head screwdriver.

- 1. Attach Handle to Lower Body**  
Slide Handle Assembly (with attached Quick Release Cord Wrap) down into Lower Body until it will go no further.
- 2. Secure with screw**  
Secure by placing one (1) Phillips head screw (supplied) into rear of Handle Assembly. Tighten with screwdriver until secure.



## Other Components

Clean Water Tank - holds 1/2-gallon of hot water cleaning solution.

Dirty Water Tank - holds 1/2-gallon of dirty water.

Power Cord - for storage, wrap Power Cord around Upper and Lower Cord Wraps, and secure Plug to Cord with molded clip

## How to use your BISSELL QuickSteamer

### How to begin

- 1.** Plan activities to give carpet time to dry.
- 2.** Remove easily moved furniture (chairs, lamps, coffee/cocktail tables, etc.) from room if needed.

**⚠ WARNING:**  
To reduce the risk of fire, use only BISSELL Advanced Cleaning Formulas for Deep Cleaning Machines. Use of cleaning formulas that contain lemon or pine oil may damage this appliance and void warranty. Chemical spot cleaners or solvent-based soil removers should not be used. These products may react with the plastic materials used in your QuickSteamer®, causing cracking or pitting.

## How to begin - Continued

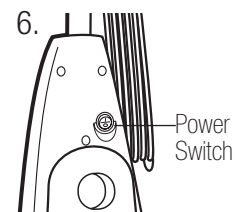
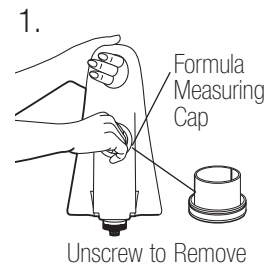
3. Vacuum carpet thoroughly.
4. Decide where to begin — and end — your job. Clean in 3' X 4' sections, starting in areas farthest from exit. Plan to leave a path open to empty soiled water and refill cleaner.
5. Carpeting will dry in three to four hours, depending on carpet style and air circulation in room. A floor fan speeds drying.
6. Replace furniture on damp carpeting by placing waxed paper under legs until floor dries completely.

## Getting ready

1. Remove the Clean Water Tank by lifting it straight up, then away from the Lower Body.
2. Using the Formula Measuring Cap, add two (2) capfuls of BISSELL® Advanced Cleaning Formulas for Deep Cleaning Machines to the Clean Water Tank. Add 1/2-gallon of hot (NOT boiling) tap water. Fill only to fill line — do not overfill.
3. Replace and turn Formula Measuring Cap clockwise until secure.
4. Place Clean Water Tank on Lower Body.
5. Rotate Quick Release Cord Wrap and plug in.
6. Turn Power Switch [located on the back of the Lower Body] to ( I ) ON.
7. If cleaner starts when first plugged in, switch cleaner OFF ( O ) until ready for use.

### Tip:

Always vacuum thoroughly before you deep clean. If possible, move larger furniture to an area you will not be cleaning.



## Pre-Treating

Pre-treat stubborn stains and highly soiled carpet in hallways and other high-traffic areas.

1. Spray soiled area with BISSELL® Tough Stain PreCleaner.™
2. Use a stiff-bristled brush to work formula into carpet pile.
3. Wait 3 -5 minutes before deep cleaning.

### Tip:

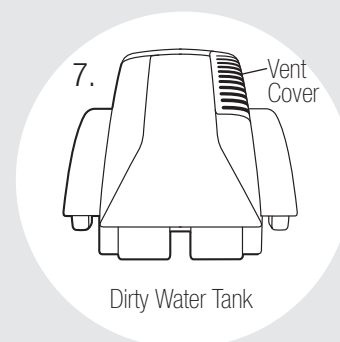
Deep cleaning spots, spills and high traffic areas on a regular basis can prolong carpet life.

## Deep Cleaning

1. Turn Power Switch [located on the back of the Lower Body] to ( I ) ON.
2. With foot, press the Detent Lever on right side of Lower Body.
3. Depress Spray Trigger to spray cleaning solution. Do not overwet.
4. Repeat motion over same area without depressing Trigger.
5. Repeat Steps 3 and 4 until no more dirt can be removed.
6. Continue to clean entire carpet, working in 3' x 4' sections.
7. Empty the Dirty Water Tank when dirty water reaches the full line, or when the Clean Water Tank is empty. See page 10 for instructions.
8. If Floor Nozzle stops spraying, turn Power Switch to OFF ( O ) and check water and cleaning solution levels. Refill if needed.

### Tip:

It is recommended that every time your Clean Water Tank is emptied of solution that you empty the contents of the Dirty Water Tank. If the Dirty Water Tank gets too full, you may begin to see foam spitting out of the vent cover. When this happens you will know it is time to empty the Dirty Water Tank.



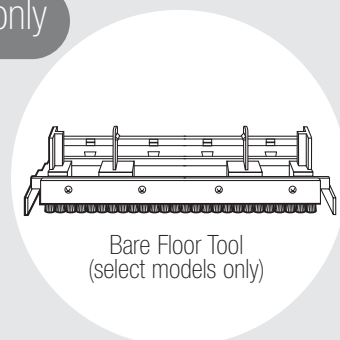
## Attaching the Bare Floor Tool - 1950 Series only

\*Bare Floor Cleaning is only available on select QuickSteamer models without the DirtLifter® PowerBrush. If your QuickSteamer did not come so equipped, you may order one through BISSELL Customer Service at 1-800-263-2535. You can also visit the BISSELL Web Site: [www.bissell.com](http://www.bissell.com).

**NOTE:** Your QuickSteamer is not recommended for cleaning wood floors.

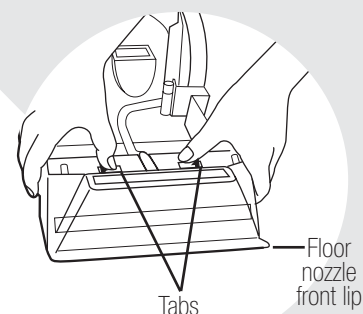
- Use only BISSELL® Floor Cleansing Formula™ on no-wax floors. Never use BISSELL carpet cleaning formulas on bare floors.
- Sweep or vacuum before starting.
- Remove old wax before cleaning.
- Leave an exit path for yourself.
- Allow at least 1/2 hour drying time.

1. Remove Dirty Water Tank.
2. Remove Brush by depressing tabs on the Cross Action Brush™ outward with thumbs until the Brush loosens.
3. Add Bare Floor Tool underneath the Floor Nozzle by sliding notches and tabs into the opening until it is secure. Make sure tabs on the Bare Floor Tool snap over front lip of Floor Nozzle.
4. Replace empty Dirty Water Tank.



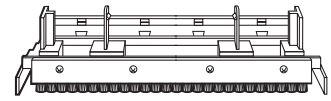
### CAUTION:

The Dirty Water Tank holds approximately 1/2 gallon of soiled liquid. Filling past the fill line can damage unit.



## Attaching the Bare Floor Tool Continued

5. Empty and rinse Clean Water Tank.
6. Using the Formula Measuring Cap, add two (2) capfuls of BISSELL® Floor Cleansing Formula™ to the Clean Water Tank. Add 1/2-gallon of hot (NOT boiling) tap water. Fill only to fill line – do not overfill.
7. Replace and turn the Formula Measuring Cap clockwise until secure.
8. Rotate Quick Release Cord Wrap and plug in.
9. Turn Power Switch located on the back of Lower Body to ( I ) ON.



Bare Floor Tool

## Cleaning Bare Floors

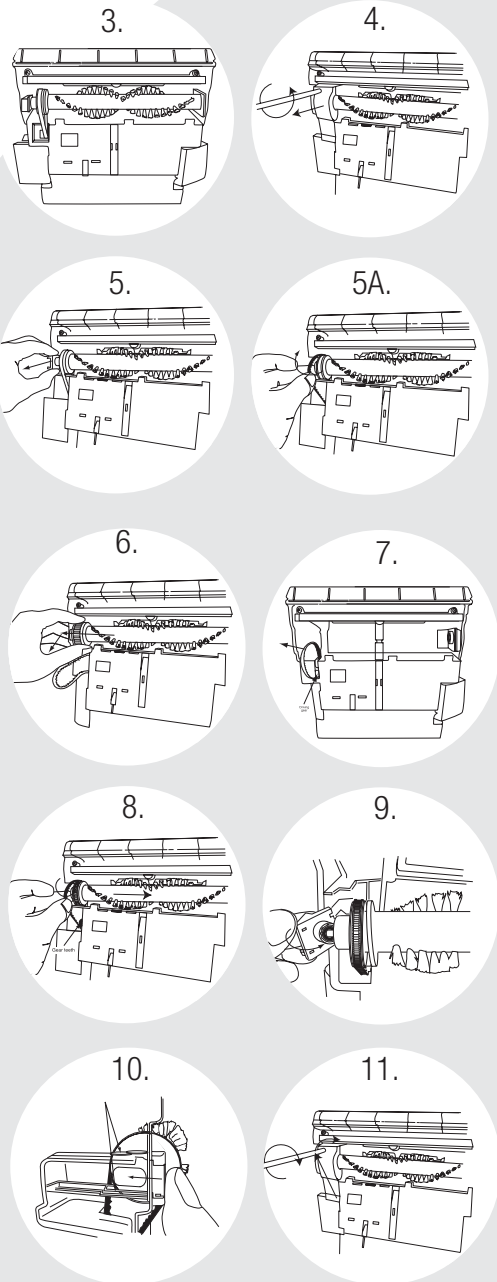
1. Slowly move QuickSteamer back and forth over soiled surface one time while depressing Trigger. Do not overwet.
2. Repeat motion over same area without depressing Trigger.
3. Repeat Steps 1 and 2 until no more dirt can be removed.
4. If Floor Nozzle stops spraying, turn Power Switch to OFF ( O ) and check water and cleaning solution levels. Refill if needed.

**CAUTION:**  
Do not lay QuickSteamer on its back with Clean Water Tank in place. Do not tip up foot with Dirt Water Tank in place.

## Belt and Brush Removal - 2050 Series only

\*QuickSteamer PowerBrush models only

1. Turn the machine off and unplug from wall outlet.
2. Remove clean and dirty water tanks.
3. Lie machine down to access the bottom of the machine.
4. Unscrew the brush cover.
5. Remove the brush end cap and remove belt from brush.
6. Brush can now be removed.
7. Belt can be removed by sliding off the motor pulley.
8. Clean or replace belt. Attach belt to motor pulley and brush, insert brush into right side end cap, and reattach belt to brush.
9. Reattach the left end cap.
10. Slide brush with the end cap attached back into place.
11. Replace the brush cover and screw into place.



**⚠ WARNING:**  
To reduce the risk of injury from moving parts and/or electrical shock, turn Power Switch OFF and disconnect polarized plug from electrical outlet before performing troubleshooting checks.

## Routine Maintenance

### When you're done

Turn Power Switch to OFF (○) position.

Unplug Power Cord from outlet.

Remove and empty Dirty Water Tank.

- Press detent Pedal and tip Handle back, laying it gently on floor.
- Release Dirty Water Tank latches [1 each side] by pulling up from bottom of latch and then out.
- Carefully lift Dirty Water Tank from Lower Body.
- Carry Dirty Water Tank to a toilet or sink. To empty, pour out contents using opening at back of Tank.
- Fill Dirty Water Tank with clean water through the Vent Cover and rinse thoroughly. Discard water.

Replace Dirty Water Tank on Lower Body and secure with latches. Replace Clean Water Tank.

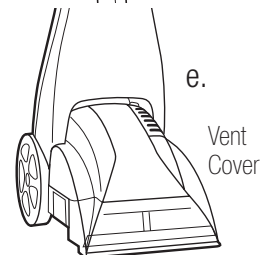
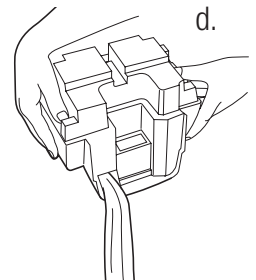
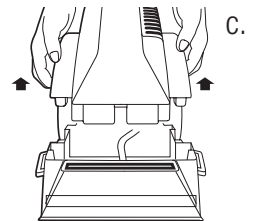
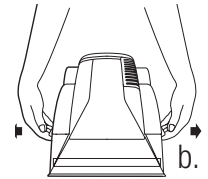
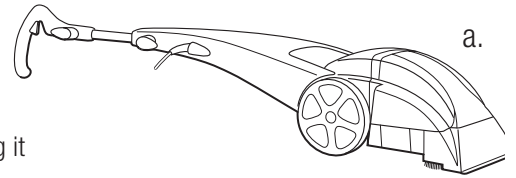
Wrap Power Cord around Quick Release Cord Wrap on side of QUICKSTEAMER.

Wipe all surfaces with a soft cloth. Store cleaner upright in a protected, dry area.

**NOTE: You may have cleaning solution remaining in the Clean Water Tank. You may store your QuickSteamer this way for the next cleaning task, but never keep soiled solution in the Dirty Water Tank.**

### CAUTION:

Do not store unit where freezing may occur. Damage to internal components may result.



## Trouble Shooting

### Reduced spray or no spray.

#### Possible Causes

- Clean Water Tank empty
- Spray Bar clogged

#### Remedies

- Refill Tank with water and formula
- Clean Spray Bar

### Deep Cleaner not picking up cleaning solution.

#### Possible Causes

- Dirty Water Tank not aligned/secured
- Dirty Water Tank is full

#### Remedies

- Check Tank for proper alignment and secure with side latches
- Empty Tank

## BISSELL Customer Service

For information about repairs or replacement parts, or questions about your warranty, call:

**BISSELL Customer Service**  
**1-800-263-2535**

Monday - Friday  
 8:00 A.M. — 4:30 P.M. (E.S.T)

E-mail us at: [canada.custhelp@bissell.com](mailto:canada.custhelp@bissell.com)

Visit our Web Site @ [www.bissell.com](http://www.bissell.com)

Or write:  
 BISSELL Ltd.  
 ATTN: Customer Service  
 Box 1003  
 Niagara Falls, Ontario, L2E 6W2

When contacting BISSELL, have model number of unit available.

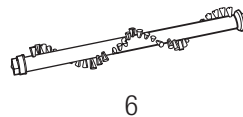
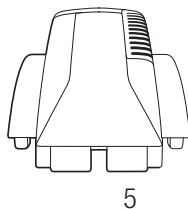
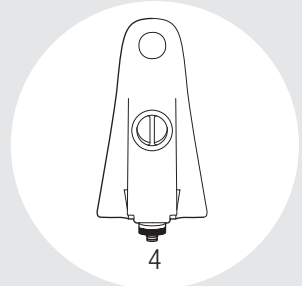
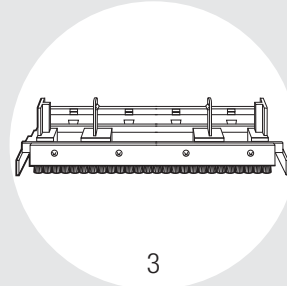
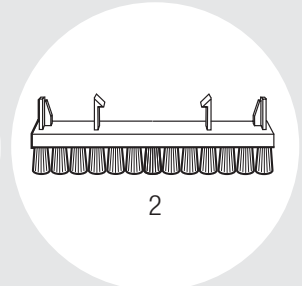
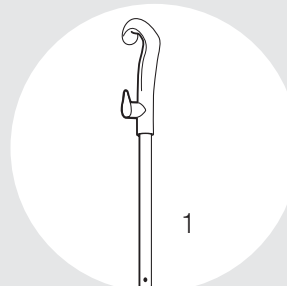
Please record your Model Number: \_\_\_\_\_

Please record your Purchase Date: \_\_\_\_\_

**NOTE: Please keep your original sales receipt. It provides proof of date of purchase in the event of a warranty claim. See "About Your Warranty" on page 12 for details.**

## Replacement parts - BISSELL QuickSteamer

Item	Part No.	Part Name
<b>QuickSteamer– 1950 Series</b>		
1	603-7818	Handle Assembly
2	603-7821	Cross Action Brush
3	603-7822	Bare Floor Tool
4	407-0931	Clean Water Tank
5	603-7816	Dirty Water Tank (Teal)
<b>QuickSteamer PowerBrush– 2050 Series</b>		
1	603-2010	Handle Assembly
4	603-2009	Clean Water Tank
5	603-2008	Dirty Water Tank
6	603-2206	Dirt Lifter PowerBrush
7	603-2207	Belt





## About Your Warranty

If you need additional instruction regarding this warranty or have questions regarding what it may cover, please contact BISSELL Customer Service by e-mail, telephone, or regular mail as described below.

### Limited One Year Warranty

Subject to the \*EXCEPTIONS AND EXCLUSIONS identified below, upon receipt of the product BISSELL Ltd. will repair or replace (with new or remanufactured components or products), at BISSELL's option, free of charge from the date of purchase by the original purchaser, for one year any defective or malfunctioning part.

See information below on "If your BISSELL product should require service".

This warranty applies to product used for personal, and not commercial or rental service. This warranty does not apply to fans or routine maintenance components such as filters, bags, belts, or brushes. Damage or malfunction caused by negligence, abuse, or use not in accordance with the User's Guide is not covered.

### If your BISSELL product should require service:

Call BISSELL Customer Service at the number below or [www.bissell.com](http://www.bissell.com) to locate a BISSELL Authorized Service Centre in your area. If there are no authorized BISSELL Service Centres in your area, a BISSELL Representative at [canada.custhelp@bissell.com](mailto:canada.custhelp@bissell.com) or at the phone number below will issue you a Return Authorization Number and a pre-paid mailing label to return the unit to BISSELL for warranty repair.

-- The machine should be returned with a photocopy of your proof of purchase. (Your dated sales receipt is your warranty - do not send original.) If you need information about repairs or replacement parts, or if you have questions about your warranty, e-mail: [canada.custhelp@bissell.com](mailto:canada.custhelp@bissell.com).

Or call:

#### **BISSELL Customer Service**

1-800-263-2535  
Monday - Friday  
8 a.m. - 4:30 p.m. (E.S.T.)

Or write:

**BISSELL Ltd.,**  
ATTN: Customer Service,  
Box 1003,  
Niagara Falls, Ontario, L2E 6W2

\*EXCEPTIONS AND EXCLUSIONS FROM THE TERMS OF THE **LIMITED** WARRANTY.

BISSELL LTD. IS NOT LIABLE FOR INCIDENTAL OR CONSEQUENTIAL DAMAGES OF ANY NATURE ASSOCIATED WITH THE USE OF THIS PRODUCT. BISSELL'S LIABILITY WILL NOT EXCEED THE PURCHASE PRICE OF THE PRODUCT.

THIS WARRANTY IS EXCLUSIVE AND IN LIEU OF ANY OTHER WARRANTIES EITHER ORAL OR WRITTEN. ANY IMPLIED WARRANTIES WHICH MAY ARISE BY OPERATION OF LAW, INCLUDING THE IMPLIED WARRANTIES OF MERCHANTABILITY AND FITNESS FOR A PARTICULAR PURPOSE, ARE LIMITED TO THE ONE YEAR DURATION FROM THE DATE OF PURCHASE AS DESCRIBED ABOVE.



©2002 BISSELL Homecare  
BISSELL Ltd.  
Niagara Falls, Ont., L2E 6W  
All rights reserved. Printed  
Part Number 999-6209  
Visit our Web Site at:  
[www.bissell.com](http://www.bissell.com)