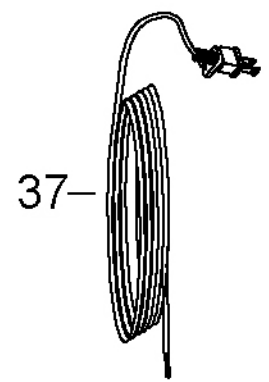
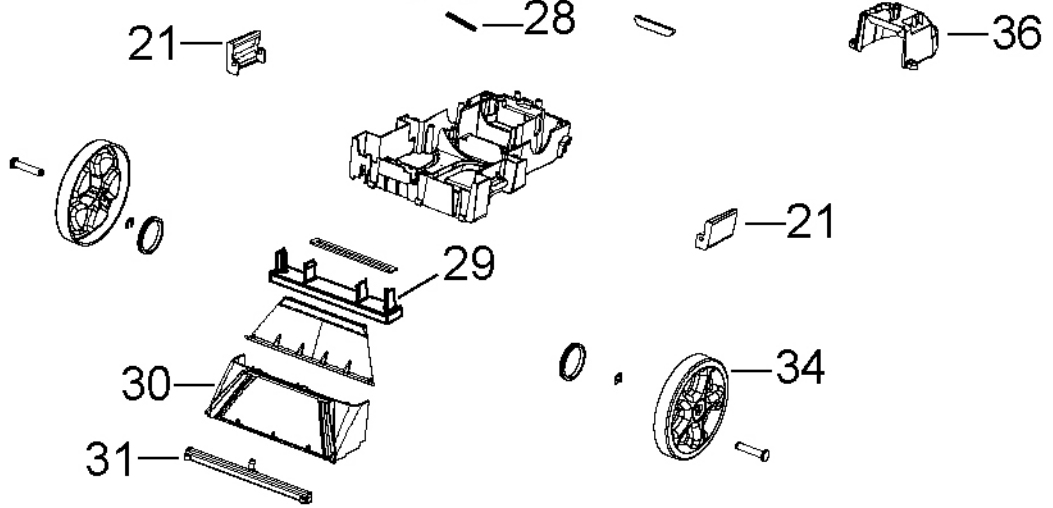
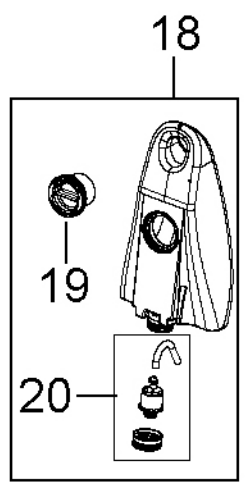
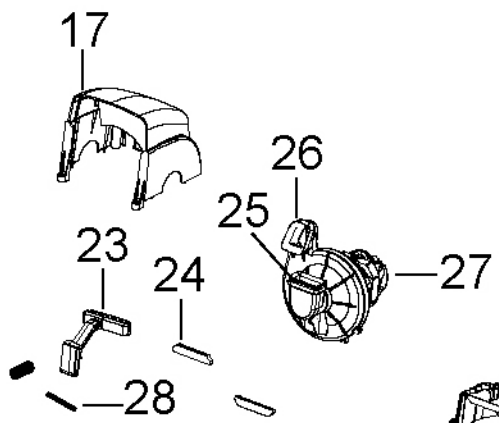
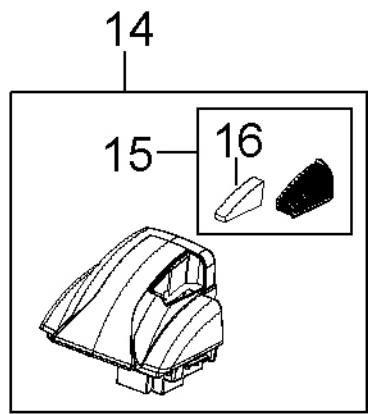
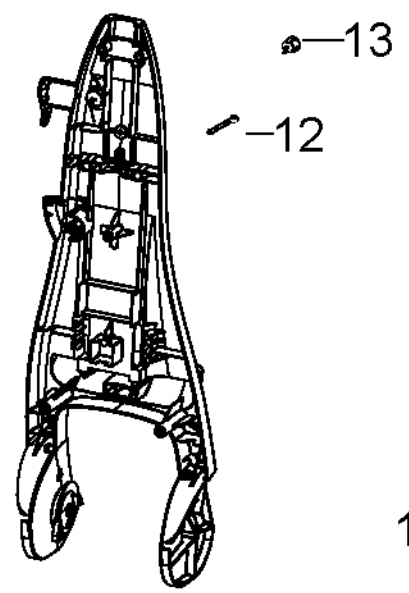
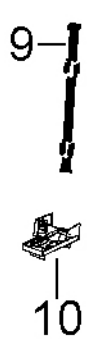
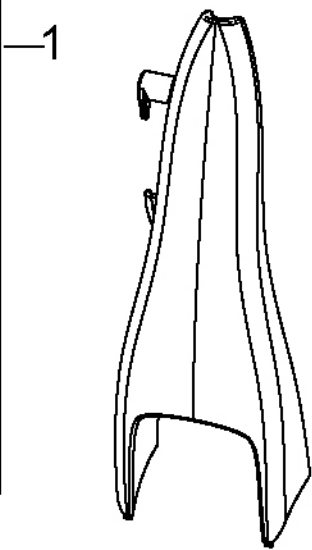
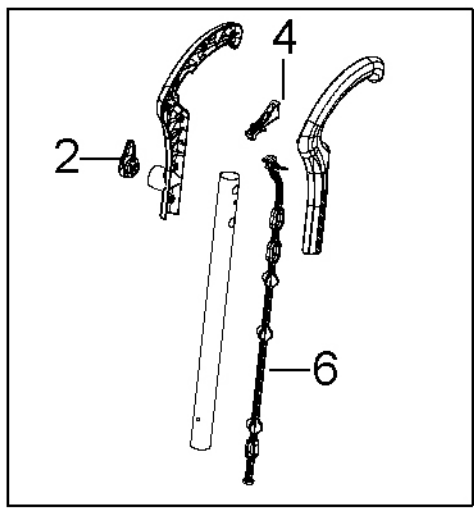




QUICKSTEAMER

Model 1950



Lightweight Deep Cleaner

Quicksteamer 1950 Series



KEY	PART NO	DESCRIPTION
1	2144025	HANDLE ASSY
2	6037817	CORD WRAP
4	2041103	TRIGGER
6	6037808	PUSH ROD - UPPER
9	6037809	PUSH ROD - LOWER
10	2041126	RECEIVER ASSY
12	2035616	HANDLE SCREW KIT (2+1)
13	6037805	ON/OFF SWITCH
14	2035604	DIRTY WATER TANK w/ PANEL & FILTER - DUSK
15	6037823	EXHAUST VENT PANEL W/ FILTER - TEAL
15	2035609	EXHAUST VENT PANEL W/ FILTER - DUSK
16	6037824	FOAM FILTER
17	0134002	REAR COVER
18	6037813	CLEAN WATER TANK - WHITE - 19603
18	2035603	CLEAN WATER TANK - DUSK - 1960W
19	2041112	FORMULA MEASURING CUP
20	2041111	CAP AND INSERT
21	6037820	TANK LATCHES - TWO
23	6037801	DETENT LEVER
24	0106357	REAR MOTOR SUPPORT
25	6037826	MOTOR INTAKE GASKET
26	6037825	MOTOR OUTLET GASKET
27	6037807	COMPLETE MOTOR ASSY
28	2041115	METAL DETENT DOWEL
29	6037821	BRUSH - CROSS ACTION
30	6037800	FRONT NOZZLE ASSY
31	6037812	SPRAY BAR
34	6037802	WHEEL
36	0106356	MOTOR COVER
37	6037803	POWER CORD
xx	2106322	USER'S GUIDE
xx	6037806	TUBING
xx	6037822	BARE FLOOR TOOL

Issued: 10/03

BISSELL Service Center Dept