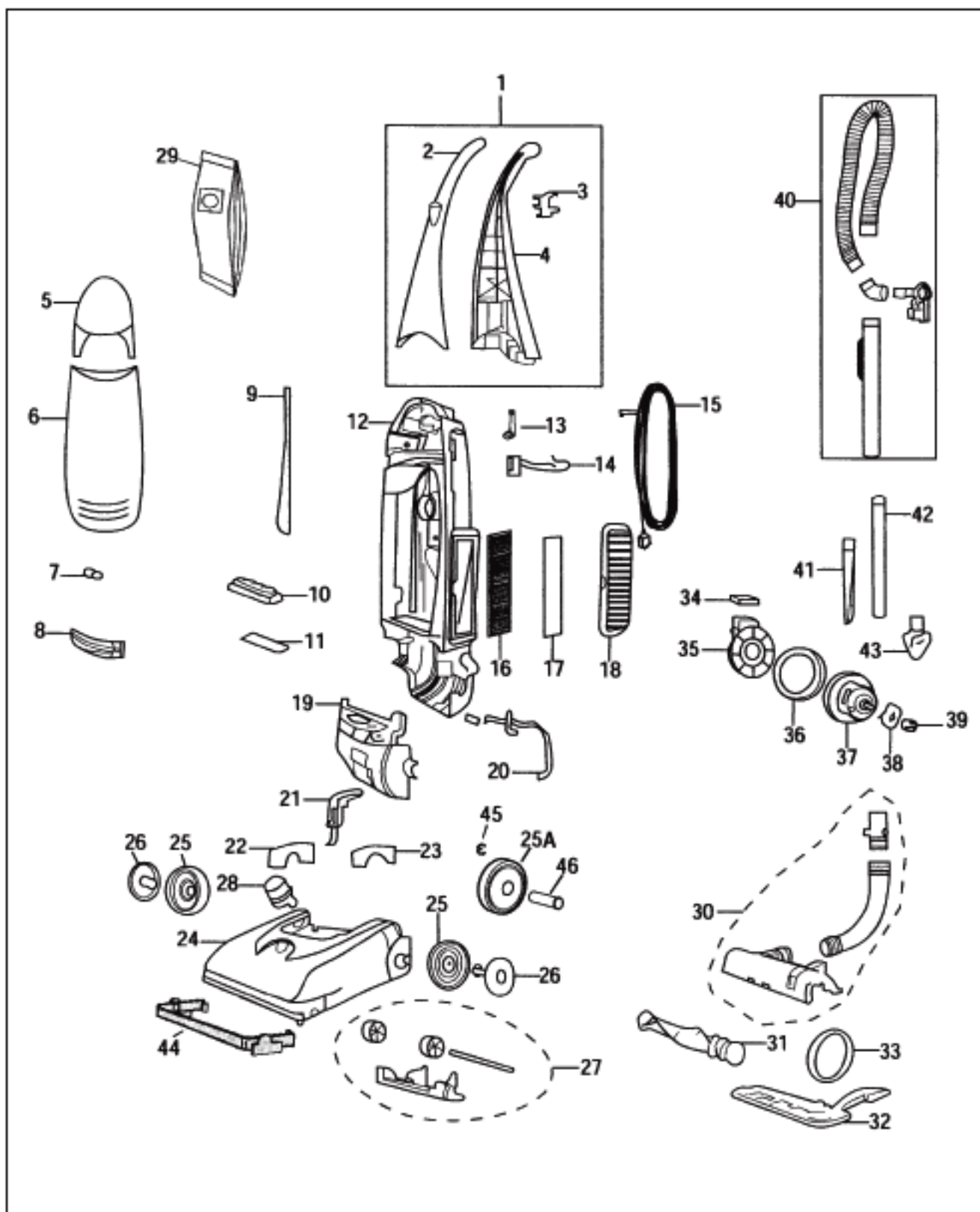


# **BISSELL** Original & Replacement

**POWERFORCE** Models 3522, 3522-1, 3522-4, 3522-5, 3522-6  
**POWERGLIDE** Models 3545, 3545-1, 3545-2, 3545-3, 3545-5, 3545-Q



# Original & Replacement **BISSELL**

## POWERFORCE Models 3522, 3522-1, 3522-4, 3522-5, 3522-6

## POWERGLIDE Models 3545, 3545-1, 3545-2, 3545-3, 3545-5, 3545-Q

KEY	PART NO.	DESCRIPTION	KEY	PART NO.	DESCRIPTION
1	B-203-1098	Handle Ass'y 3522, 3522-1/5/6	27	B-203-2556	Front Wheel 3522, 3522-1/5/6
1	NLA	Handle Ass'y 3522-4 (Order B-203-1098)	27	B-203-1015	Front Wheel Assembly
1	B-203-1001	Handle Ass'y 3545			3522-4, 3545, 3545-1/2/3/5/Q
1	B-203-1000	Handle Ass'y 3545-1/Q	28	B-203-1095	Height Adjustment Knob
1	B-203-1258	Handle Ass'y 3545-2			3522, 3522-1/4/5/6, 3545-2
1	B-203-1002	Handle Ass'y 3545-3, 3545-5	28	B-203-1042	Height Adjustment Knob
2	N/A	Handle Front (Order Key 1)			3545, 3545-1/3/5/Q
3	B-203-1028	Hose Hanger	29	B-30861	Paper Bag Style 7 Envirofresh 3 Pk
4	B-203-1029	Handle Back 3545, 3545-1, 3545-5			3522, 3545, 3545-1/2/Q
5	NLA	Top Panel	29	NLA	Paper Bag Style 7 Filtrete 2 Pk
6	B-203-1087	Bag Door 3522			3545-3, 3545-5
6	B-203-1247	Bag Door 3522-1/5/6	29	BR-1471	Paper Bag Style 7 & 1 Micro Lined 3 Pk
6	NLA	Bag Door 3522-4 (Order B-203-1087)	30	B-203-1110	Nozzle Intake Ass'y 3522, 3522-1/4/5/6
6	B-203-1005	Bag Door 3545	30	B-203-1046	Nozzle Intake Ass'y
6	B-203-1004	Bag Door 3545-1/Q			3545, 3545-1/3/5/Q
6	B-203-1259	Bag Door 3545-2	30	B-203-2039	Nozzle Intake Ass'y 3545-2
6	B-203-1006	Bag Door 3545-3, 3545-5	31	B-203-1016	Brushroll Ass'y 3522, 3522-1/4/5/6,
7	B-203-1007	Bulb 20 Watt			3545, 3545-1/3/5/Q
8	B-203-1008	Light Lens	31	B-203-2013	Brushroll Ass'y 3545-2
9	B-203-1106	Wire Cap 3522, 3522-1/4/5/6, 3545-2	32	B-203-1091	Bottom Plate 3522, 3522-1/4/5/6
9	B-203-1037	Wire Cap 3545, 3545-1/3/5/Q	32	B-203-1017	Bottom Plate 3545, 3545-1/3/5/Q
10	B-203-1014	Secondary Filter Grill 3545, 3545-1/3/5/Q	32	B-203-2036	Bottom Plate 3545-2
11	B-203-1089	Secondary Filter 3522, 3522-1/4/5/6, 3545-2	33	B-32074	Belt Style 7, 9 & 10 2 Pk
11	B-203-1013	Secondary Filter 3545, 3545-1/3/5/Q	33	BR-1007	Belt Style 7, 9 & 10
12	NLA	Main Body	34	B-203-1058	Motor Case Gasket
13	B-203-1018	Cord Hook			3545, 3545-1/3/5/Q
14	B-203-1035	Rocker Switch	35	B-203-1057	Motor Case 3545, 3545-1/3/5/Q
15	B-203-1105	Power Cord 3522, 3522-1/4/5/6 22'	36	B-203-1107	Motor Gasket 3522, 3522-1/4/5/6
15	B-203-1024	Power Cord 3545 25'	36	B-203-1060	Motor Gasket 3545, 3545-1/3/5/Q
15	B-203-1066	Power Cord 3545-1/2/Q 30'	36	B-203-1218	Motor Gasket 3545-2
15	B-203-1067	Power Cord 3545-3, 3545-5 35'	37	B-203-1100	Motor Ass'y 3522, 3522-1/4/6
16	B-32076	Exhaust Filter HEPA 3545-1/2/3/5/Q	37	B-203-2211	Motor Ass'y 3522-5
16	BR-1800	Exhaust Filter HEPA 3545-1/2/3/5/Q	37	B-203-1052	Motor Ass'y 3545, 3545-1/3/5/Q
17	B-203-1009	Exhaust Filter 3522, 3522-1/4/5/6, 3545	37	B-203-1214	Motor Ass'y 3545-2
18	B-203-1088	Exhaust Filter Grill 3522, 3522-1/4/5/6, 3545-2	38	B-203-1101	Motor Support 3522, 3522-1/4/5/6
18	B-203-1011	Exhaust Filter Grill 3545, 3545-1/3/5/Q	38	B-203-1054	Motor Support 3545, 3545-1/3/5/Q
19	NLA	Motor Cover	38	B-203-1217	Motor Support 3545-2
20	B-203-1108	Thermal Protector 3522, 3522-1/4/5/6	39	B-203-1102	Motor Cushion 3522, 3522-1/4/5/6
20	B-203-1034	Thermal Protector 3545, 3545-1/2/3/5/Q	39	B-203-1061	Motor Cushion 3545, 3545-1/3/5/Q
21	B-203-1044	Handle Release Pedal	39	B-203-1107	Motor Cushion 3545-2
		3522, 3522-1/4/5/6, 3545, 3545-1/3/5/Q	40	B-203-1097	Hose Ass'y 3522, 3522-1/4/5/6
21	B-203-0052	Handle Release Pedal 3545-2	40	B-203-1019	Hose Ass'y 3545, 3545-1/Q
22	B-203-1112	Nozzle Clamp 3522, 3522-1/4/5/6	40	B-203-1261	Hose Ass'y 3545-2
22	B-203-1040	Right Nozzle Clamp	40	NLA	Hose Ass'y 3545-3, 3545-5
		3545, 3545-1/2/3/5/Q	41	B-203-1063	Crevice Tool
23	B-203-1112	Nozzle Clamp 3522, 3522-1/4/5/6	42	B-203-1022	Extension Wand
23	B-203-1039	Left Nozzle Clamp 3545, 3545-1/2/3/5/Q	43	B-203-1099	Combination Tool 3522, 3522-1/4/5/6,
24	B-203-1113	Nozzle Housing 3522, 3522-1/5/6	43	B-203-1023	Combination Tool 3545, 3545-1/3/5/Q
24	NLA	Nozzle Housing 3522-4 (Order B-203-1113)	43	B-203-1228	Combination Tool 3545-2
24	NLA	Nozzle Housing 3545	44	B-203-1114	Bumper 3522, 3522-1/5/6
24	NLA	Nozzle Housing 3545-1/2/Q	45	B-203-2548	E-Ring 3522-1/4/5/6
24	NLA	Nozzle Housing 3545-3, 3545-5	46	B-203-2547	Axle 3522-1/4/5/6
25	B-203-1111*	Rear Wheel 3522			
25A	B-203-2070	Rear Wheel 3522-1/4/5/6			
25	B-203-1043	Rear Wheel 3545, 3545-1/3/5/Q			
25	B-203-2037	Rear Wheel 3545-2			
26	B-203-1045	Wheel Cap 3545, 3545-1/3/5/Q			
26	B-203-2065	Wheel Cap 3545-2			

\* ON UNITS WHERE WHEEL IS SECURED BY A HUBCAP, THE FOLLOWING PARTS MUST BE ORDERED FOR UNIT TO ACCEPT NEW STYLE WHEEL: B-203-1110 NOZZLE HOUSING, B-203-1111 WHEEL, B-203-2547 AXLE, B-203-2548 E-RING

NLA = No Longer Available

N/A = Not Available