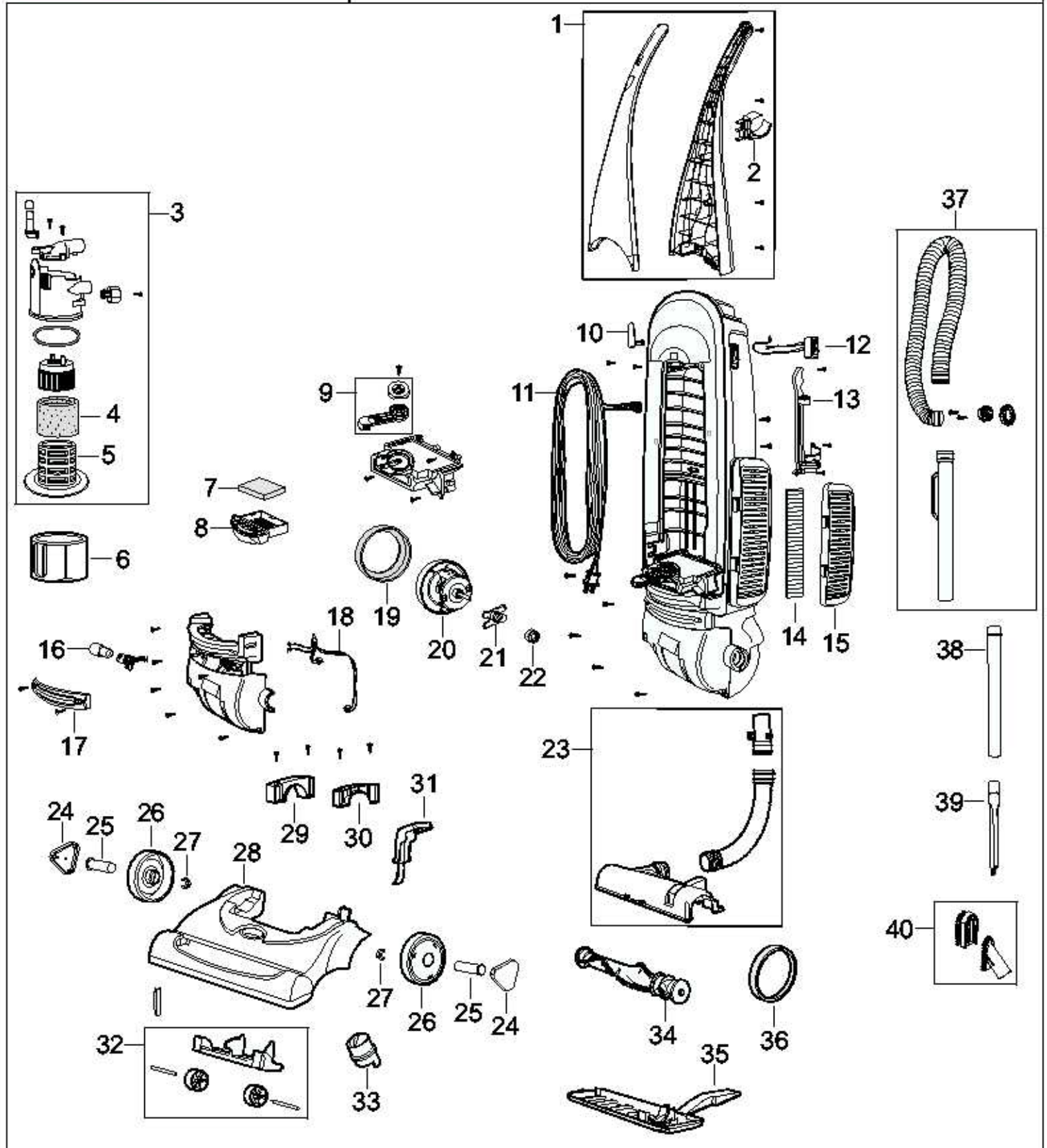




CLENVIEW BAGLESS

Model 3593-2



Issued: May 2004

©2004 BISSELL Homecare, Inc.

BAGLESS VACUUM

CleanView™ Model 3593-2



KEY	PART NO	DESCRIPTION		
1	2032069	Upper Handle Assy. - Wine Red		
2	2031028	Hanger - Hose		
3	2031225	Upper Tank Assy		
4	2031085	Separation Flange Filter		
5	2032042	Separation Flange Frame		
6	2030176	Dirt Cup		
7	2031073	Pre Motor Filter		
8	2032058	Pre Motor Filter Tray - Med Gray		
9	2031119	Lock n' Seal Lever - Med Grey		
10	2031018	Cord Release		
11	2031067	Power Cord		
12	2031035	Switch - Rocker		
13	2031076	Tool Caddy		
14	2231047	Post Motor Filter - 3M/HEPA		
15	2031011	Post Motor Filter Grill		
16	2031007	Lamp - Incandescent		
17	2031008	Headlight Lens		
18	2031034	Wire Harness - Thermo		
19	2031218	Motor Cushion - Large		
20	2031214	Motor		
21	2031217	Motor Support		
22	2031107	Motor Cushion - Small		
23	2031240	Case Drum Assy.		
24	2032066	Wheel Cap - Wine Red		
25	2032547	Axle		
26	2032037	Rear Wheel		
27	2032548	E-Ring		
28	2032068	Top Cover - Wine Red		
29	2031040	Right Neck Brush		
30	2031039	Left Neck Brush		
31	2030052	Lever Release		
32	2032556	Roller Assy. W/ Axle		
33	2031095	Height Adjustment Knob		
34	2032013	Brush		
35	2032036	Access Plate		
36	2031093	Belt		
37	2032035	Hose Assy.		
38	2031084	Extension Wand		
39	2031063	Crevice Tool		
40	2031228	Dust Brush Combo Tool		
xx	2031003	Screw - Handle/Hose Cuff		
xx	2102564	User's Guide		