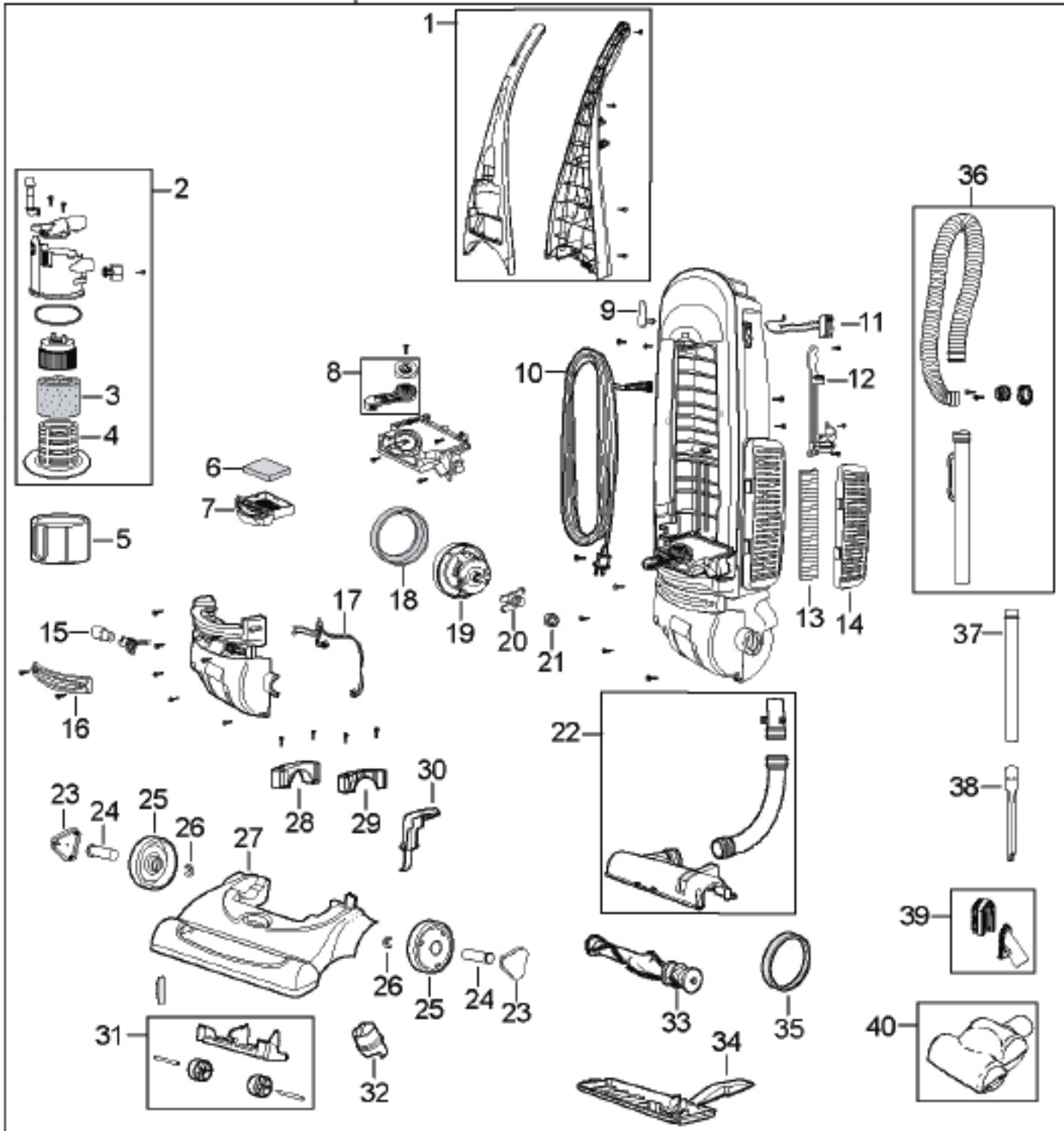


CLENVIEW BAGLESS

Models 3593-3, 3593-M



BAGLESS VACUUM

CleanView™ Models 3593-3, 3593-M

KEY	PART NO	DESCRIPTION
1	2031230	Upper Handle Assy. - Turbo - Indigo
2	2031225	Upper Tank Assy
3	2031085	Separation Flange Filter
4	2032042	Separation Flange Frame
5	2031117	Dirt Cup
6	2031073	Pre Motor Filter
7	2032058	Pre Motor Filter Tray - Med Gray
8	2031119	Lock n' Seal Lever - Med Grey
9	2031018	Cord Release
10	2031067	Power Cord
11	2031035	Switch - Rocker
12	2031076	Tool Caddy
13	2231047	Post Motor Filter - 3M/HEPA
14	2031011	Post Motor Filter Grill
15	2031007	Lamp - Incandescent
16	2031008	Headlight Lens
17	2031034	Wire Harness - Thermo
18	2031218	Motor Cushion - Large
19	2031214	Motor
20	2031217	Motor Support
21	2031107	Motor Cushion - Small
22	2032039	Case Drum Assy.
23	2032065	Wheel Cap - Black
24	2032547	Axle
25	2032037	Rear Wheel
26	2032548	E-Ring
27	2031237	Top Cover - Indigo
28	2031040	Right Neck Brush
29	2031039	Left Neck Brush
30	2030052	Lever Release
31	2032556	Roller Assy. W/ Axle
32	2031095	Height Adjustment Knob
33	2032013	Brush
34	2032036	Access Plate
35	2031093	Belt
36	2032035	Hose Assy.
37	2031084	Extension Wand
38	2031063	Grevice Tool
39	2031228	Dust Brush Combo Tool
40	2031227	Turbobrush
xx	2031003	Screw - Handle/Hose Cuff
xx	2102564	User's Guide