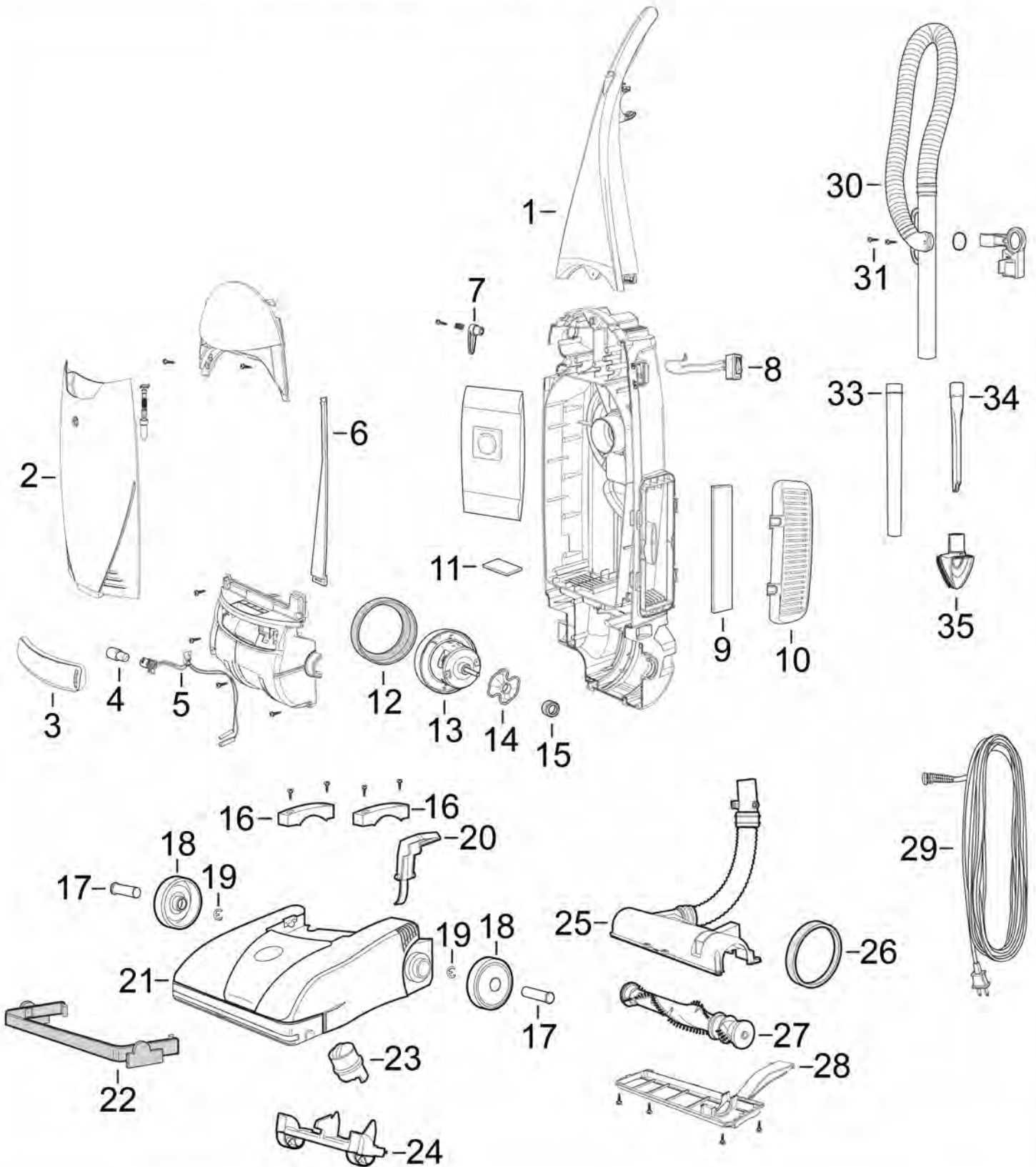


Upright Vacuum

Powerforce™ 3530, 3537, 46E5 Series



Issue: April 2008

©2008 BISSELL Homecare, Inc.

Upright Vacuum

Powerforce™ 3530, 3537, 46E5 Series

| KEY | PART NO | DESCRIPTION | |
|-----|------------|---|--------------------------------------|
| 1 | B-203-5578 | Handle Assembly - Black | |
| 2 | B-203-5579 | Bag Door Assembly - Black - 3530 | |
| 2 | B-203-5635 | Bag Door Assembly - Burgundy - 3537, 46E5 | |
| 7 | B-203-1018 | Cord Release | |
| 8 | B-203-1035 | Switch | |
| 9 | B-203-1009 | Post Motor Filter | |
| 10 | B-203-1088 | Filter Grille- Post | |
| 11 | B-203-5576 | Pre Motor Filter | |
| 12 | B-203-1107 | Motor Cushion - Large - 12 Amp | |
| 13 | B-203-5627 | Vacuum Motor - 12 Amp | |
| 13 | B-203-2439 | Vacuum Motor - 10 Amp | |
| 14 | NLA | Motor Support - 12 Amp | |
| 15 | NLA | Motor Cushion - Small - 12 Amp | |
| 16 | B-203-1112 | Clamp Pivot | |
| 17 | B-203-2547 | Axle | |
| 18 | B-203-2070 | Rear Wheel | |
| 19 | B-203-2548 | E-ring | |
| 20 | B-203-1044 | Lever Release | |
| 21 | B-203-5582 | Foot Cover - Black | |
| 22 | B-203-1114 | Bumper | |
| 23 | B-203-1095 | Height Adjustment Knob | |
| 24 | B-203-1330 | Front Wheel Assembly | |
| 25 | B-203-1110 | Case Drum Assembly | |
| 26 | B-203-1093 | Belt | |
| 27 | B-203-5624 | Brush | |
| 28 | B-203-5583 | Access Plate | |
| 29 | B-203-1105 | Cord | |
| 30 | B-203-1097 | Hose Assembly | |
| 31 | B-203-1003 | Screw for Handle Assembly | |
| 33 | B-203-1068 | Extension Wand | |
| 34 | B-203-1056 | Crevice Tool | |
| 35 | B-203-1059 | Combo Tool Upholstery/Dusting | |
| | | | 3530, 3537 = 12 Amp 46E5 = 10 Amp |
| XX | B-32120 | Style 7 Bag (3-pack) | |
| XX | 1104026 | User's Guide - 3530 | |
| XX | 1104067 | User's Guide - 46E5 | |
| | | | |