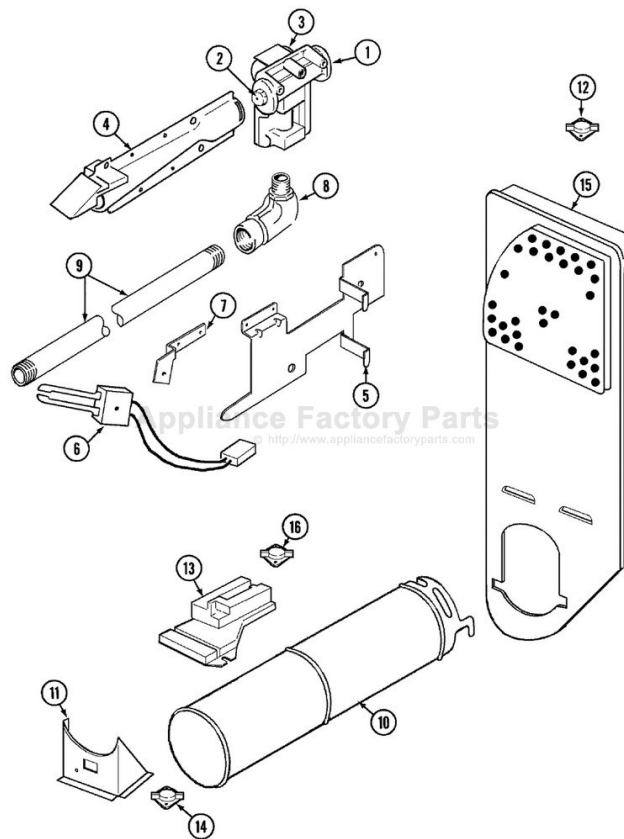


This Owner's Manual is provided and hosted by [Appliance Factory Parts](http://www.appliancefactoryparts.com).



MAYTAG PYGT244AWW Owner's Manual

[Shop genuine replacement parts for MAYTAG
PYGT244AWW](#)



[Find Your MAYTAG Dryer Parts - Select From 2097 Models](#)

----- Manual continues below -----



MAYTAG
Performa™

PY-3

Dryer

Use & Care Guide

Table of Contents



Safety 1-2



Using the Controls 3-4

- Select Temperature
- Select Options
- Select Cycle
- Push the Control Dial in to Start



Operating Tips 5

- Clean the Lint Filter
- Load the Dryer Properly



Care & Cleaning 5

- Control Panel
- Tumbler
- Cabinet
- Dryer Exhaust System
- Replacing the Drum Light



Dryer Exhaust Tips 6



Troubleshooting 7



Service & Warranty 9

**Guide d'utilisation et
 d'entretien** 10
Guía de uso y cuidado 19



Installer: Please leave this manual with this appliance.

Consumer: Please read and keep this manual for future reference. Keep sales receipt and/or canceled check as proof of purchase.

Model Number _____

Serial Number _____

Date of Purchase _____

If you have questions, call:

Maytag Customer Assistance

1-800-688-9900 U.S.A.

1-800-688-2002 Canada

(Mon.-Fri. 8 a.m.-8 p.m. Eastern Time)

Internet: <http://www.maytag.com>

U.S.A. Customers using TTY for deaf, hearing impaired or speech impaired, call 1-800-688-2080.

In our continuing effort to improve the quality and performance of our appliances, it may be necessary to make changes to the appliance without revising this guide.

For service information, see page 9.

What You Need to Know About Safety Instructions

Warning and Important Safety Instructions appearing in this manual are not meant to cover all possible conditions and situations that may occur. Common sense, caution and care must be exercised when installing, maintaining or operating appliance.

Always contact your dealer, distributor, service agent or manufacturer about problems or conditions you do not understand.

Recognize Safety Symbols, Words, Labels

⚠ WARNING

WARNING – Hazards or unsafe practices which **COULD** result in severe personal injury or death.

⚠ CAUTION

CAUTION – Hazards or unsafe practices which **COULD** result in minor personal injury.

⚠ WARNING

For your safety, the information in this manual must be followed to minimize the risk of fire or explosion or to prevent property damage, personal injury or death.

- Do not store or use gasoline or other flammable vapors and liquids in the vicinity of this or any other appliance.

WHAT TO DO IF YOU SMELL GAS

- Do not try to light any appliance.
- Do not touch any electrical switch.
- Do not use any phone in your building.
- Clear the room, building or area of all occupants.
- Immediately call your gas supplier from a neighbor's phone. Follow the gas supplier's instructions.
- If you cannot reach your gas supplier, call the fire department.

Installation and service must be performed by a qualified installer, service agency or the gas supplier.

⚠ WARNING! FIRE HAZARD

Do not place into your dryer items that have been spotted or soaked with vegetable oil or cooking oil. Even after being washed, these items may contain significant amounts of these oils. The remaining oil can ignite spontaneously. The potential for spontaneous ignition increases when the items containing vegetable oil or cooking oil are exposed to heat. Heat sources, such as your clothes dryer, can warm these items, allowing an oxidation reaction in the oil to occur. Oxidation creates heat. If this heat cannot escape, the items can become hot enough to catch fire. Piling, stacking or storing these kinds of items may prevent heat from escaping and can create a fire hazard.

All washed and unwashed fabrics that contain vegetable oil or cooking oil can be dangerous. Washing these items in hot water with extra detergent will reduce, but will not eliminate, the hazard. Always use the Cool Down cycle for these items to reduce the items' temperature. Never remove these items from the clothes dryer hot or interrupt the drying cycle until the items have run through the Cool Down cycle. Never pile or stack these items when they are hot.



Safety

⚠ WARNING

To reduce the risk of fire, explosion, electric shock, or personal injury when using your dryer, follow basic safety precautions, including the following:

1. Read all instructions before using the appliance.
2. To avoid the possibility of fire or explosion:
 - a. Do not dry items that have been previously cleaned in, washed in, soaked in, or spotted with gasoline, dry-cleaning solvents, other flammable or explosive substances as they give off vapors that could ignite or explode. Any material on which you have used a cleaning solvent, or which is saturated with flammable liquids or solids, should not be placed in the dryer, until all traces of these flammable liquids or solids and their fumes have been removed. There are many highly flammable items used in homes, such as: acetone, denatured alcohol, gasoline, kerosene, some liquid household cleaners, some spot removers, turpentine, waxes and wax removers.
 - b. Items containing foam rubber (may be labeled latex foam) or similarly textured rubber-like materials must not be dried on a heat setting. Foam rubber materials when heated, can under certain circumstances produce fire by spontaneous combustion.
3. Do not allow children or pets to play on, in, or in front of the appliance. Close supervision is necessary when the appliance is used near children and pets.
4. Before the appliance is removed from service or discarded, remove the door to the drying compartment.
5. Do not reach into the appliance if the drum is moving.
6. Do not install or store this appliance where it will be exposed to the weather.
7. Do not tamper with controls.
8. Do not repair or replace any part of the appliance or attempt any servicing unless specifically recommended in published user-repair instructions that you understand and have the skills to carry out.
9. Do not use fabric softeners or products to eliminate static unless recommended for dryer use by the manufacturer of the fabric softener or product.

10. Clean the lint screen before or after each load.
11. Keep the area around the exhaust opening and surrounding areas free from lint accumulation, dust and dirt.
12. The interior of the dryer and exhaust duct should be cleaned periodically by qualified service personnel.
13. This appliance must be properly grounded. Never plug the appliance cord into a receptacle which is not grounded adequately and in accordance with local and national codes. See installation instructions for grounding this appliance.
14. Do not sit on top of the clothes dryer.

Important Safety Notice & Warning

The California Safe Drinking Water and Toxic Enforcement Act of 1986 (Proposition 65) requires the Governor of California to publish a list of substances known to the State of California to cause cancer or reproductive harm, and requires businesses to warn customers of potential exposures to such substances.

Users of this appliance are hereby warned that the burning of gas can result in low-level exposure to some of the listed substances, including benzene, formaldehyde, and soot, due primarily to the incomplete combustion of natural gas or liquid petroleum (LP) fuels. Exhaust ducts should be kept free of obstructions and properly exhausted dryers will minimize exposure.

⚠ WARNING

Gas leaks may occur in your system and result in a dangerous situation. Gas leaks may not be detected by smell alone. Gas suppliers recommend you purchase and install an UL approved gas detector. Install and use in accordance with the manufacturer's instructions.

Note

- Because of continuing product improvements, Maytag reserves the right to change specifications without notice. For complete details, see the Installation Instructions packed with your product before selecting cabinetry, making cutouts or beginning installation.

SAVE THESE INSTRUCTIONS



Using the Controls

STEP 1

Select Temperature

In order to select the correct temperature, turn the temperature control to one of four choices; Regular, Medium (select models), Delicate or Air Fluff.

DRYER TEMPS	LOAD TYPE
Regular	Sturdy cottons or labels marked Tumble Dry.
Medium (select models)	For wrinkle free/permanent press synthetics, lightweight cottons labeled Tumble Dry Medium.
Delicate	For heat sensitive items labeled Tumble Dry Low or Tumble Dry Medium.
Air Fluff	Items which need freshening. Load tumbles with room temperature air.

STEP 2

Select Options

Extended Tumble (select models)

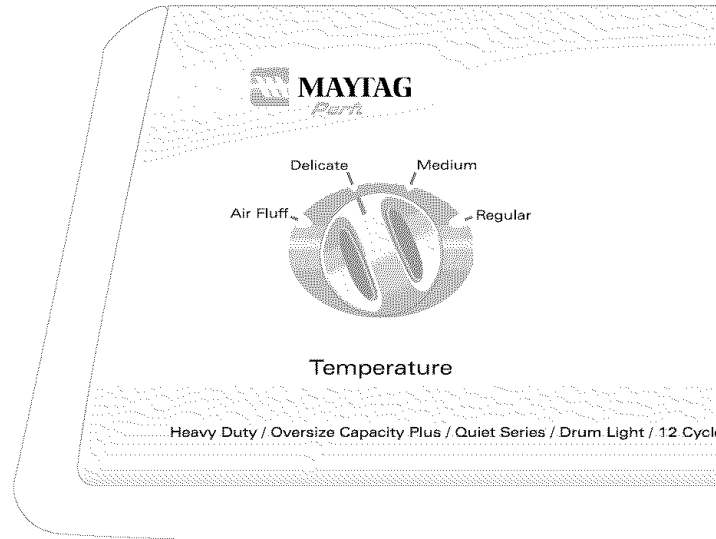
Extended Tumble is provided to minimize wrinkles in the Auto Dry Wrinkle Free Fabrics cycle. This feature provides an extra 60 minutes of unheated tumble action at the end of the cycle. Clothes can be removed any time during this portion of the cycle.

On dryer models with optional **EXTENDED TUMBLE**, the additional 60 minutes of unheated tumbling can be cancelled by turning the selector knob to OFF.

End of Cycle Signal

When the cycle is complete, a signal will sound. On select models, the End of Cycle Signal can be turned off.

Remove load immediately to reduce wrinkling.



STEP 3

Select Cycle

To select a cycle, rotate the control dial to the desired setting. When using an Auto Dry cycle, the control dial should point between More Dry and Less Dry for most loads.

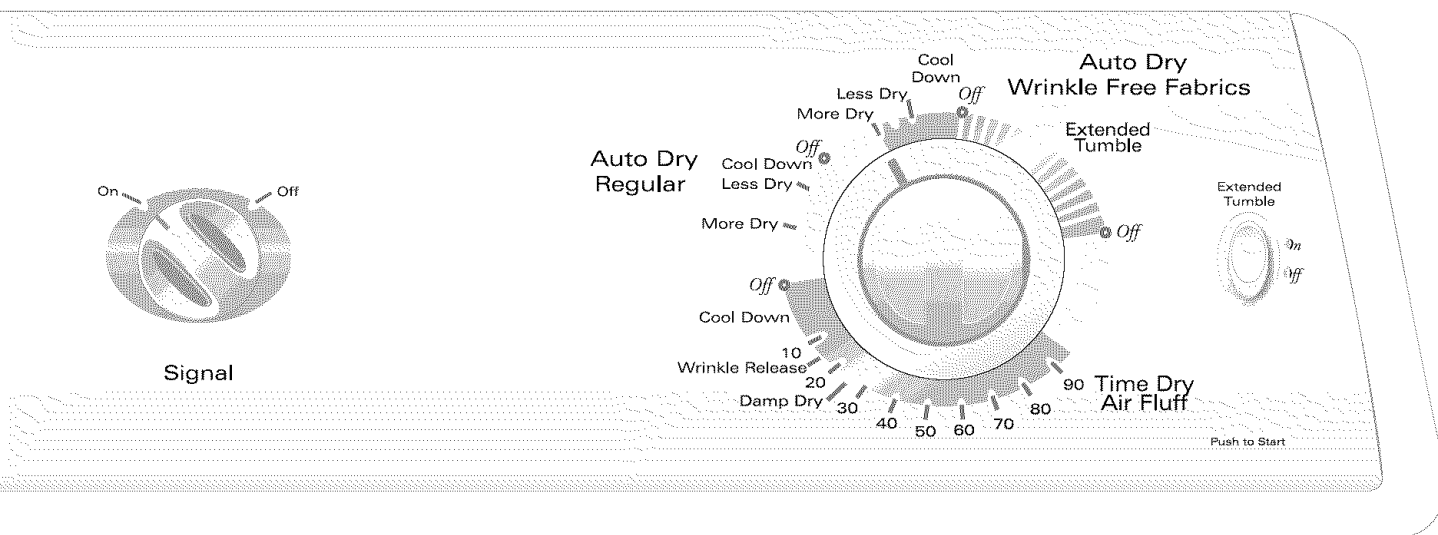
Loads of larger or bulkier size may require the More Dry setting to completely dry the load. The Less Dry setting is best suited for lightweight fabrics or for leaving some moisture in the clothing at the end of the cycle.

Auto Dry Regular

The Auto Dry Regular cycle is designed to dry most cottons and linens. At the end of the cycle, the clothes are cooled to reduce wrinkling for approximately 10 minutes.

Auto Dry Wrinkle Free Fabrics

The Auto Dry Wrinkle Free Fabrics cycle is designed to dry wrinkle free cottons, synthetic fabrics, double knits and permanent press fabrics automatically. At the end of the cycle, the clothes are cooled for approximately 20 minutes to reduce wrinkling. If the load is not removed from the dryer and **Extended Tumble** has been selected, the cycle will advance to **Extended Tumble** which provides additional unheated tumbling time. (See Step 2).



Cycles and options may vary by model.

STEP 4

Push the Control Dial in to Start

Push the control dial in to start the dryer. The dryer door must be closed for the dryer to start.

Time Dry/Air Fluff

This cycle can be used to regulate the drying time. Use with Air Fluff, Delicate, Medium (select models) or Regular temperature settings. For timed drying, turn the control dial clockwise until the pointer points to the proper time setting in the Time Dry/Air Fluff cycle.

Note

- Using the Air Fluff temperature setting will require a longer drying time.

Special Options (select models)

Damp Dry is located on the Time Dry/Air Fluff section of the dial. It is designed to partially dry items and can be used with any temperature selection. **Damp Dry** will provide 20 minutes of tumbling time, followed by five minutes of cool-down tumbling.

Wrinkle Release will release wrinkles from items that are clean and dry but only slightly wrinkled, such as from a crowded closet or suitcase, or from sitting in the dryer too long after the cycle has ended. **Wrinkle Release** provides 10 minutes of tumbling followed by five minutes of cool-down tumbling and can be used with any temperature selection.

Note

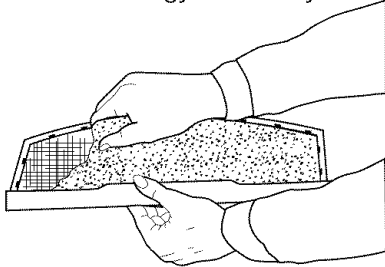
- The dial can be turned in either direction to select a cycle. Once started, the dial will not advance at a specific rate during the Auto Dry cycles. At first the dial may not advance at all. Toward the end of the cycle (when the load begins to dry), the dial will advance at a more regular rate and much more quickly. This is normal operation.



Operating Tips

Clean the Lint Filter

- After each load.
- To shorten drying time.
- To operate more energy efficiently.

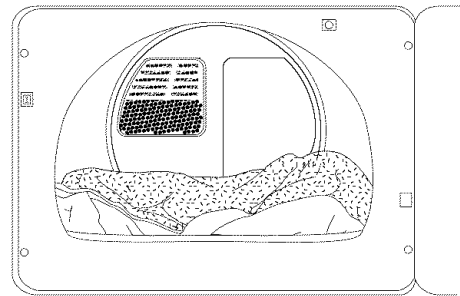


Note

- Do not operate the dryer without the lint filter in place.

Load the Dryer Properly

- Place only one washload in the dryer at a time.
- Mixed loads of heavy and lightweight clothes will dry differently. Lightweight clothes will dry, while heavy clothes may be damp.
- Add one or more similar items to the dryer when only one or two articles need drying. This improves the tumbling action and drying efficiency.
- Overloading restricts tumbling action, resulting in uneven drying as well as excessive wrinkling of some fabrics.



Care & Cleaning

Control Panel

Clean with a soft, damp cloth. Do not use abrasive substances.

Tumbler

Remove any stains (such as crayon, ink pen or fabric dye) with soap and water. Then tumble clean old towels or rags to remove any excess stain.

Cabinet

Wipe off any marks with soap and water. Use an appliance wax once a year if desired.

Dryer Exhaust System

Inspect and clean once a year to maintain optimum performance. The outside exhaust hood should be cleaned more frequently to ensure proper operation. (Refer to the Installation Instructions for more information.)

Replacing the Drum Light

(select models)

1. Unplug or disconnect the dryer from the power supply.
2. Lift top of dryer by inserting a putty knife under top, 4" in from each side.
3. Rotate bulb holder to vertical position before removing bulb.
4. Push bulb down and rotate counterclockwise to remove.
5. Replace with a 25 watt, 115/125 volt twist lock utility light Part No. 53-0570 or equivalent. Place bulb in socket, push down and rotate clockwise.
6. Rotate bulb holder to horizontal position.
7. Place top of dryer back in original position. Make sure metal tabs hold top in place.
8. Reconnect dryer to power supply.



Dryer Exhaust Tips

⚠ WARNING

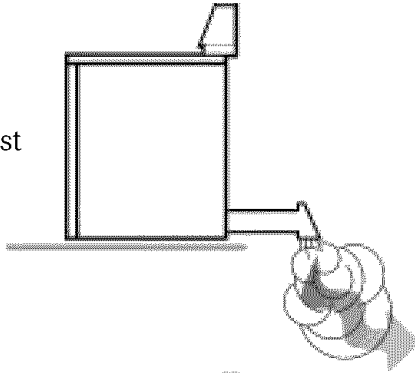
Plastic or nonmetal flexible duct presents a potential fire hazard.

Do

Read the installation instructions and the use and care guide.

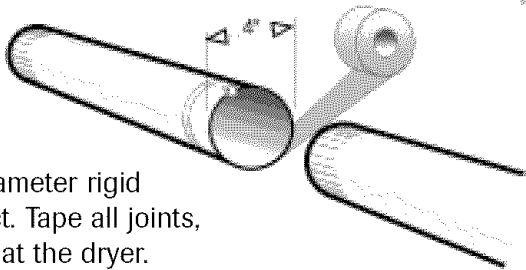
Do

Let your dryer exhaust the air easily.



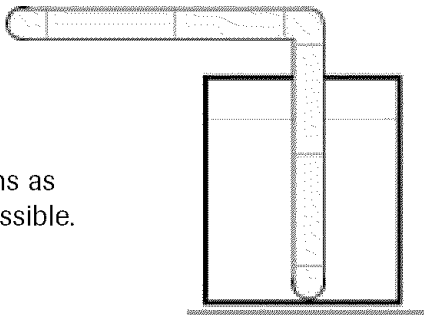
Do

Use 4" diameter rigid metal duct. Tape all joints, including at the dryer. Never use lint-trapping screws.



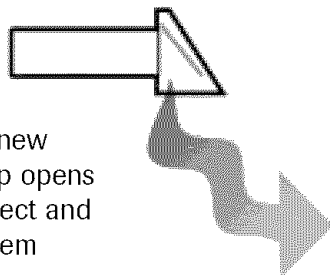
Do

Keep duct runs as straight as possible.



Do

Clean all old ducts before installing your new dryer. Be sure vent flap opens and closes freely. Inspect and clean the exhaust system annually.

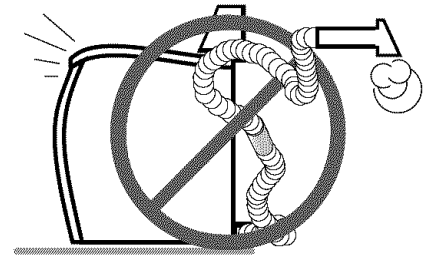


Don't

Let a poor exhaust system cause slow drying.

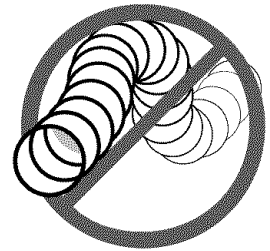
Don't

Restrict your dryer with a poor exhaust system.



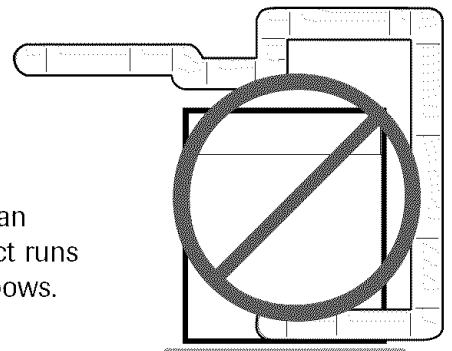
Don't

Use plastic, thin foil, or non-metal flexible duct.



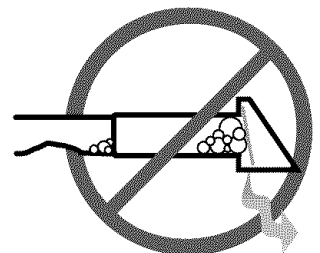
Don't

Use longer than necessary duct runs with many elbows.



Don't

Allow crushed or clogged ducts and vent.



Troubleshooting

Doesn't Run	<ul style="list-style-type: none"> • Be sure the door is shut. • Is the electrical cord plugged in? • Has a fuse blown or the circuit breaker tripped? • Push the control dial in again if the door was opened during the cycle.
Doesn't Heat	<ul style="list-style-type: none"> • Has a fuse blown or the circuit breaker tripped? • Select a heat setting, not air fluff. • Check that the gas supply is on for gas dryers. • Clean the lint filter and exhaust duct. • Dryer time may have moved into the cool-down portion of the cycle.
Doesn't Dry Properly	<ul style="list-style-type: none"> • Check all of the above, plus . . . • Check the exhaust hood outside the house, does it open and close freely? • Check exhaust system for lint buildup. Ducting should be inspected and cleaned annually. • Use rigid 4" metal exhaust duct. • Do not overload. 1 wash load = 1 dryer load. • Sort heavy items from lightweight items. • Large, bulky items like blankets or comforters may require repositioning to ensure even drying. • Check the washer to be sure it is draining properly to extract water from the load. • Clothes load is too small to tumble properly. Add a few towels.
Is Noisy	<ul style="list-style-type: none"> • Check the load for objects such as coins, nails, etc. Remove promptly from dryer. • It is normal to hear the dryer gas valve or heating element cycle on and off during the drying cycle. • The dryer should be level and installed on a solid floor. • A clicking noise may be the timer advancing. • It is normal for the dryer to hum due to the high velocity of air moving through the dryer drum and exhaust system.
Control Knob Advances Slowly	<ul style="list-style-type: none"> • This is normal operation for an Auto Dry cycle, especially at the beginning of cycle. Once the load begins to dry, the control knob will start to advance. The rate of advancement will be slow at the beginning of the cycle because there is more moisture in the load. As the load becomes more dry, the control knob will advance more quickly.
Dries Unevenly	<ul style="list-style-type: none"> • Seams, pockets and other similar heavy areas may not be completely dry when the rest of the load has reached the selected dryness level. This is normal. Select the More Dry setting if desired. • If one heavy item is dried with a lightweight load, such as one towel with sheets, it is possible that the heavy item will not be completely dry when the rest of the load has reached the selected dryness level. Sort heavy items from lightweight items for best drying results.
Has an Odor	<ul style="list-style-type: none"> • Household odors such as from painting, varnishing, strong cleaners, etc. may enter the dryer with the surrounding room air. This is normal as the dryer draws the air from the room, heats it, pulls it through the tumbler and exhausts it to the outside. When these odors are present in the air, ventilate the room completely before using the dryer.

For further assistance contact Maytag ServicesSM, Maytag Customer Assistance: U.S.A. 1-800-688-9900 or Canada 1-800-688-2002. U.S.A. Customers using TTY for deaf, hearing impaired or speech impaired, call 1-800-688-2080.



Notes



Service & Warranty

Dryer Warranty

Full One Year Warranty

For one (1) year from the date of original retail purchase, any part which fails in normal home use will be repaired or replaced free of charge.

Limited Warranty

After the first year from date of original retail purchase, through the time periods listed below, the parts designated below which fail in normal home use will be repaired or replaced free of charge for the part itself, with the owner paying all other costs, including labor, mileage, transportation, trip charge and diagnostic charge, if required.

Second Year – All parts.

Third through Fifth Year – All parts of the solid state controls if so equipped.

Additional Limited Warranty Against Rust-Through

Should an exterior cabinet, including the door, tumbler and tumbler front and back, rust through during the one-year period starting from the date of retail purchase, repair or replacement will be made free of charge. After the first and through the tenth year, repair or replacement will be made free of charge for the part itself, with the owner paying all other costs, including labor, mileage, transportation, trip charge and diagnostic charge, if required.

Please Note: This full warranty and the limited warranty apply when the dryer is located in the United States or Canada. Dryers located elsewhere are covered by the limited warranty only, including parts which fail during the first two years.

Canadian Residents

This warranty covers only those dryers installed in Canada that have been listed with the Canadian Standards Association unless the dryers are brought into Canada due to transfer of residence from the United States to Canada.

The specific warranties expressed above are the **ONLY** warranties provided by the manufacturer. This warranty gives you specific legal rights, and you may also have other rights that vary from state to state.

What is Not Covered By These Warranties:

1. Conditions and damages resulting from any of the following:
 - a. Improper installation, delivery or maintenance.
 - b. Any repair, modification, alteration, or adjustment not authorized by the manufacturer or an authorized servicer.
 - c. Misuse, abuse, accidents or unreasonable use.
 - d. Incorrect electric current, voltage or supply.
 - e. Improper setting of any control.
2. Warranties are void if the original serial numbers have been removed, altered or cannot be readily determined.
3. Light bulbs.
4. Products purchased for commercial or industrial use.
5. The cost of service or service call to:
 - a. Correct installation errors.
 - b. Instruct the user on the proper use of the product.
 - c. Transport the appliance to the servicer.
6. Consequential or incidental damages sustained by any person as a result of any breach of these warranties.
Some states do not allow the exclusion or limitation of consequential or incidental damages, so the above exclusion may not apply.

To Obtain Warranty Service

To locate an authorized service company in your area, contact the dealer from whom your appliance was purchased; or call Maytag ServicesSM, Maytag Customer Assistance. Should you not receive satisfactory warranty service, please call or write:

Maytag ServicesSM
Attn: CAIR[®] Center
P.O. Box 2370
Cleveland, TN 37320-2370
U.S.A. 1-800-688-9900
Canada 1-800-688-2002
U.S.A. Customers using TTY for deaf, hearing impaired or speech impaired, call 1-800-688-2080.

Note

- When contacting Maytag ServicesSM, Maytag Customer Assistance about a service problem, please include the following:
 - a. Your name, address and telephone number;
 - b. Model number and serial number (found on the back center of the control panel) of your appliance;
 - c. Name and address of your dealer and the date the appliance was purchased;
 - d. A clear description of the problem you are having;
 - e. Proof of purchase.



MAYTAG
Performa™

PY-3

Secheuse

Guide d'utilisation et d'entretien

Table des matières



Sécurité 11-12



Employer les Commandes 13-14

Sélectionner la température
Sélectionner les options
Sélectionner un cycle
Pousser sur le sélecteur pour
mettre en marche



Fonctionnement 15

Nettoyer le filtre à charpie
Charger la sècheuse correctement



Entretien 15

Tableau de commande
Tambour
Carrosserie
Système d'évacuation de l'air
Remplacement de la lumière du tambour



**Conseils pour l'évacuation
de l'air** 16



Recherche des pannes 17



**Garantie et service
après-vente** 18

Guía de uso y cuidado 19



Sécurité

Installateur : Remettre ce manuel au propriétaire.

Consommateur : Lire le manuel; le conserver pour consultation ultérieure. Conserver la facture d'achat ou le chèque encaissé comme preuve de l'achat.

Numéro de modèle _____

Numéro de série _____

Date d'achat _____

Pour toute question, contacter :

Service-Clients Maytag

1-800-688-2002 Canada

(Lundi au Vendredi, 8 h à 8 h, heure de l'Est)

Site Internet: <http://www.maytag.com>

En raison de nos efforts constants d'amélioration de la qualité de nos appareils électro-ménagers, il se peut qu'une machine à laver soit modifiée sans que le guide soit révisé.

Pour le service après-vente, voir page 18.

Ce qu'il faut savoir à propos des consignes de sécurité

Les consignes de sécurité et les mises en garde présentées dans ce manuel ne couvrent pas toutes les situations possibles. Faire preuve de jugement, de prudence et d'attention lors de l'installation, de l'entretien et de l'utilisation du propriétaire.

Lorsque survient un problème ou une situation inhabituelle, toujours communiquer avec le détaillant, le distributeur, le technicien agréé ou le fabricant.

Reconnaissez les étiquettes, phrases ou symboles sur la sécurité

AVERTISSEMENT

AVERTISSEMENT – Risques ou pratiques non sûres, qui **POURRAIENT** résulter en de graves blessures ou même la mort.

ATTENTION

ATTENTION – Risques ou pratiques non sûres qui **POURRAIENT** résulter en blessures mineures.

AVERTISSEMENT

Pour votre sécurité, suivre les instructions données dans ce manuel afin de réduire les risques d'incendie ou d'explosion et d'éviter dommages matériels, blessures et décès.

- Ne pas entreposer ni utiliser d'essence ou autres produits et vapeurs inflammables à proximité de cet appareil ou de tout autre appareil ménager.

QUE FAIRE S'IL Y A UNE ODEUR DE GAZ :

- N'allumer aucun appareil.
- N'actionner aucun commutateur électrique.
- Ne pas utiliser le téléphone dans votre maison ou dans votre immeuble.
- Faire sortir tous les occupants de la pièce, du logement ou immeuble ou de la vicinity.
- Appeler immédiatement la compagnie de gaz en utilisant le téléphone d'un voisin. Suivre les instructions de la compagnie de gaz.
- En cas d'impossibilité de joindre la compagnie de gaz, appeler les pompiers.

L'installation et toutes les réparations doivent être effectuées par un technicien qualifié, un prestataire de services ou la compagnie de gaz.

AVERTISSEMENT! RISQUE D'INCENDIE

Ne pas sécher d'articles qui ont trempé dans de l'huile végétale ou de l'huile de cuisine ou en sont tachés. Même après avoir été lavés, ces articles peuvent encore contenir des quantités non négligeables de ces substances. L'huile dont ils sont encore imbibés peut prendre feu spontanément. Le risque de combustion spontanée de ces articles augmente quand ils sont exposés à la chaleur. Des sources de chaleur, telles qu'une sècheuse, peuvent chauffer ces articles et entraîner une réaction d'oxydation de l'huile. L'oxydation produit de la chaleur. Si cette chaleur n'est pas dissipée, les articles peuvent chauffer suffisamment pour prendre feu. Le fait d'empiler ou d'entreposer ce type d'articles peut empêcher la dissipation de la chaleur et créer ainsi un risque d'incendie.

Tous les articles, lavés ou non, qui contiennent de l'huile végétale ou de l'huile de cuisine sont un danger potentiel. Le fait de les laver à l'eau chaude avec une plus grande quantité de détergent que la normale réduit les risques mais ne les élimine pas. Toujours utiliser le cycle « cool down » (cycle de refroidissement) pour réduire la température de ce type d'article. Ne jamais retirer ces articles de la sècheuse alors qu'ils sont encore chauds ni interrompre le cycle de séchage avant que l'appareil n'ait effectué un cycle de refroidissement. Ne jamais empiler ou entreposer ces articles pendant qu'ils sont encore chauds.



Sécurité

⚠ AVERTISSEMENT

Pour réduire les risques d'incendie, d'explosion, d'électrocution ou des blessures lors de l'utilisation de cet appareil, suivre les précautions d'usage, dont les suivantes :

1. Lire toutes les instructions avant d'utiliser la sècheuse.
2. Pour éviter les risques d'incendie ou d'explosion :
 - a. Ne pas sécher d'articles qui ont auparavant été nettoyés ou lavés à l'aide d'essence, de solvants de nettoyage à sec ou d'autres produits explosifs ou inflammables, ou qui en sont imbibés ou éclaboussés, car ces substances produisent des vapeurs qui peuvent s'enflammer ou exploser. Tout tissu sur lequel des solvants de nettoyage ont été utilisés ou qui sont saturés de liquides ou solides inflammables ne doit pas être mis dans la sècheuse avant que toute trace et toute vapeur de ces liquides ou solides ne soient complètement éliminées. De nombreux produits extrêmement inflammables sont communément utilisés à la maison, entre autres l'acétone, l'alcool dénaturé, l'essence, le kérosène, certains produits de nettoyage ménagers, les détachants, la térébenthine, les cires et les décapants de cire.
 - b. Les articles contenant du caoutchouc mousse (l'étiquette indique parfois : mousse de latex) ou tout matériau de texture similaire ne doivent pas être séchés sur un cycle utilisant de l'air chaud. Lorsqu'ils sont exposés à la chaleur, ces matériaux peuvent, dans certaines conditions, s'enflammer par un phénomène de combustion spontanée.
3. Ne pas permettre aux enfants ou aux animaux familiers de jouer sur l'appareil, à l'intérieur ou en face de celui-ci. Une supervision étroite est nécessaire lorsque l'appareil est utilisé à proximité d'enfants ou d'animaux familiers.
4. Avant de mettre l'appareil hors service ou au rebut, retirer la porte du compartiment de séchage.
5. Ne pas mettre la main ou le bras dans l'appareil si le tambour est en mouvement.
6. Ne pas installer ou remiser l'appareil dans un endroit où il est exposé aux intempéries.
7. Ne pas modifier les mécanismes de commande.
8. Ne pas réparer ou remplacer une pièce de l'appareil ou procéder à un dépannage, sauf si les instructions publiées le recommandent et que la personne effectuant la réparation les comprend et possède les connaissances voulues pour les exécuter.
9. Ne pas utiliser d'assouplissant textile ni de produit visant à réduire l'électricité statique sauf si le fabricant de ces produits recommande leur usage dans la sècheuse.

10. Nettoyer le filtre à charpie avant et après chaque utilisation.
11. Éviter l'accumulation de charpie, de poussière et de saleté directement autour du conduit d'évacuation et dans toute la zone environnante.
12. Faire nettoyer régulièrement l'intérieur de la sècheuse et du conduit d'évacuation par des techniciens qualifiés.
13. Cet appareil doit être correctement mis à la terre. Ne jamais brancher le câble électrique de l'appareil sur une prise murale non mise à la terre conformément aux codes locaux et nationaux. Voir les instructions d'installation pour la mise à la terre de cet appareil.
14. Ne pas s'asseoir sur la sècheuse.

Mesures de sécurité importantes

En application de la loi californienne concernant la salubrité de l'eau et la protection contre les substances chimiques (« California Safe Drinking and Toxic Enforcement Act ») de 1986 (Proposition 65), le gouverneur de Californie est tenu de publier une liste des substances reconnues par l'état de Californie comme étant cancérigènes ou pouvant être cause d'infertilité, et les commerces et industries sont tenus d'avertir les consommateurs des risques potentiels d'exposition à de telles substances.

En conséquence, les utilisateurs de l'appareil sont avertis que la combustion de gaz peut entraîner une faible exposition à certaines des substances nomenclaturées par l'état de Californie, dont le benzène, le formaldéhyde et la suie, principalement en raison d'une combustion incomplète de gaz naturel ou de gaz de pétrole liquéfié (GPL). Les conduits d'évacuation ne doivent pas être obstrués et l'exposition à ces substances peut être réduite en assurant une évacuation d'air adéquate.

⚠ AVERTISSEMENT

Il peut se produire dans votre système une fuite de gaz créant une situation dangereuse. Il n'est pas toujours possible de détecter les fuites de gaz à l'odeur. Les fournisseurs de gaz recommandent l'achat et la pose d'un détecteur de gaz homologué UL. Poser et utiliser l'appareil conformément aux indications du fabricant.

Remarque

- En raison des améliorations apportées régulièrement à ses produits, Maytag se réserve le droit de modifier les spécifications sans préavis. Pour de plus amples renseignements, consulter les instructions d'installation incluses avec votre appareil avant de choisir des meubles de rangement, de faire du découpage ou de commencer l'installation.

CONSERVER CES INSTRUCTIONS



Employer les commandes

ÉTAPE 1

Sélectionner la température

Afin de sélectionner la température adéquate, tourner le sélecteur de température à l'une des trois positions suivantes : « Regular » (ordinaire), « Medium » (moyen) (certains modèles) « Delicate » (fragile) ou « Air Fluff » (gonflant).

TEMPS	TYPE DE LINGE
Regular Ordinaire	Coton résistant ou étiquettes marquées « Séchable en sècheuse »
Medium Moyen (certains modèles)	Pour les tissus synthétiques infroissables/à pli permanent, les cotons légers dont l'étiquette indique « sécher en sècheuse à température moyenne ».
Delicate Fragile	Pour les articles qui ne supportent pas la chaleur dont l'étiquette indique « Sécher en sècheuse à température douce » ou « Sécher en sècheuse à température tiède ».
Air Fluff Gonflant	Articles devant être rafraîchis. Le linge sèche à la température ambiante.

ÉTAPE 2

Sélectionner les options

Extended Tumble (culbutage prolongé) (certains modèles)

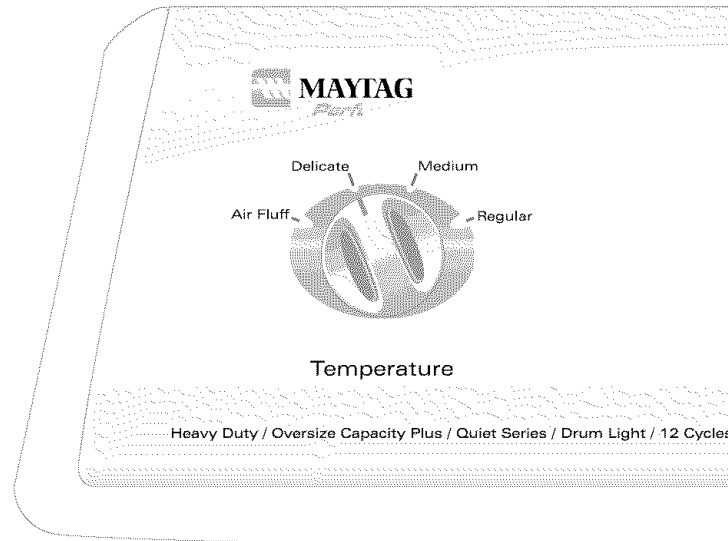
Cette option permet de réduire le froissement au minimum lorsque le cycle « Auto Dry Wrinkle Free Fabrics » est sélectionné. Le linge continue à culbuter à froid pendant 60 minutes à la fin du cycle. On peut enlever le linge à tout moment de cette portion du cycle.

Sur les sècheuses dotées de l'option « Extended Tumble » (culbutage prolongé), il est possible d'annuler les 60 minutes supplémentaires de culbutage à froid en mettant le sélecteur sur OFF (arrêt).

End of Cycle Signal (Signal de fin de cycle)

Une fois le cycle terminé, la sècheuse produit un signal sonore. Sur certains certains modèles, le signal sonore peut être arrêté.

Enlever le linge immédiatement pour réduire le froissement.



ÉTAPE 3

Sélectionner un cycle

Pour sélectionner un cycle, tourner le sélecteur au réglage désiré. L'utilisation d'un cycle de séchage automatique signifie que le sélecteur doit pointer entre « More Dry » (plus sec) et « Less Dry » (moins sec) pour la plupart des charges.

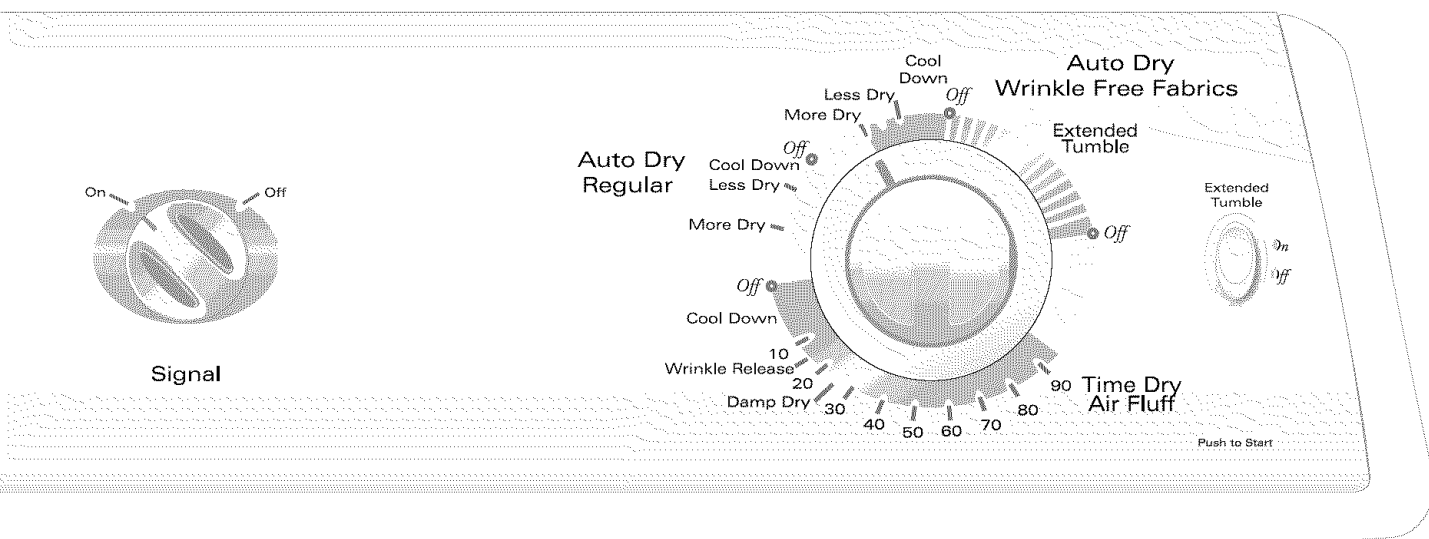
Les plus grosses charges nécessitent parfois le réglage « More Dry » pour sécher complètement. Il est préférable de sécher le linge au réglage « Less Dry » lorsque les tissus sont plus légers ou que le linge doit rester légèrement humide à la fin du cycle.

Auto Dry Regular (séchage automatique des tissus ordinaires)

Le cycle de séchage automatique ordinaire est conçu pour sécher la plupart des articles en coton et le linge. À la fin du cycle, les vêtements refroidissent pendant environ 10 minutes pour réduire les plis.

Auto Dry Wrinkle Free Fabrics (séchage automatique, pour les tissus en plis permanents)

Ce cycle est conçu pour le séchage du coton infroissable, des tissus synthétiques, du jersey et des tissus à pli permanent. À la fin du cycle, le linge est refroidi pendant environ 20 minutes pour réduire le froissement. Si la charge n'est pas enlevée de la sècheuse et que l'option de culbutage



Cycles et options modal varier par modèles.

prolongé a été sélectionnée, le cycle passera à l'option de défroissage pour une période supplémentaire de culbutage à froid (voir étape 2).

Time Dry/Air Fluff (séchage minuté/gonflant)

Ce cycle peut être utilisé pour minuter le séchage. S'utilise avec les réglages de température « Air Fluff » (gonflant), « Delicate » (fragile), « Medium » (moyen) (certains modèles) ou « Regular » (normal). Pour un séchage minuté, tourner le sélecteur dans le sens des aiguilles d'une montre jusqu'à ce que la flèche pointe vers la durée de séchage désirée pour le cycle séchage minuté/gonflant.

Remarque

- L'utilisation du réglage « Air Fluff » prolonge la durée du séchage.

Options spéciales (certains modèles)

« **Damp Dry** » (séchage partiel) se trouve sur la partie « Time Dry/Air Fluff » du sélecteur. Cette option est conçue pour sécher partiellement le linge et peut s'utiliser avec tous les réglages de température. La sècheuse fonctionne à chaud pendant 20 minutes, puis passe à une période de refroidissement de 5 minutes.

« **Wrinkle Release** » (défroissage) défroisse les vêtements propres et secs mais légèrement froissés pour être restés dans un placard ou une valise trop pleins, ou encore dans la sècheuse à la fin du cycle. La sècheuse fonctionne à chaud pendant 10 minutes, puis passe à une période de refroidissement de 5 minutes. Cette option peut s'utiliser à tous les réglages de température.

ÉTAPE 4

Pousser sur le sélecteur pour mettre en marche

Pousser sur le sélecteur pour mettre la sècheuse en marche. La porte de celle-ci doit d'abord être fermée.

Remarque

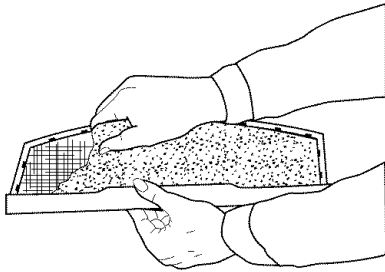
- Le sélecteur peut être tourné dans l'une ou l'autre direction. Il ne progresse pas à vitesse régulière pendant les cycles de « Auto Dry » (séchage automatique). Au départ, il peut rester immobile sur le même point. Vers la fin du cycle (quand le linge commence à sécher), il progresse à un rythme plus régulier et beaucoup plus rapide. Ceci est normal.



Fonctionnement

Nettoyer le filtre à charpie

- Après chaque utilisation.
- Pour réduire le temps de séchage.
- Pour un fonctionnement plus économe en énergie.



Remarque

- Ne pas faire fonctionner la sécheuse sans que le filtre soit en place.



Entretien

Tableau de commande

Nettoyer avec un linge doux et humide. Ne pas utiliser de substances abrasives.

Tambour

Enlever toutes taches (crayon de couleur, encre de stylo ou teinture textile) avec un produit nettoyant universel. Faire fonctionner la sécheuse avec une charge de vieux chiffons et serviettes afin qu'ils absorbent tout ce qu'il reste des taches et du produit nettoyant.

Carrosserie

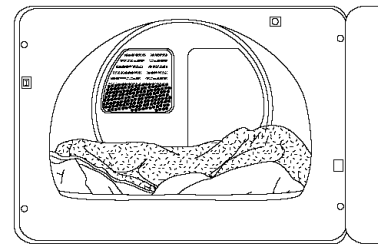
Nettoyer toutes traces de saleté à l'eau et au savon. Si désiré, appliquer de la cire pour appareils ménagers une fois par an.

Système d'évacuation de l'air

Doit être inspecté et nettoyé entièrement une fois par an pour donner des résultats optimaux. La hotte se trouvant à l'extérieur de la résidence doit être nettoyée plus fréquemment pour assurer son bon fonctionnement. (Voir les instructions de mise en service pour plus de renseignements.)

Charger la sécheuse correctement

- En mettant une seule charge de machine à laver à la fois.
- En évitant les très petites charges ou le mélange de différents types de linge.
- En ajoutant un ou plusieurs articles de même type lorsqu'un ou deux articles seulement doivent être séchés. Le linge « tourne » mieux dans la sécheuse et sèche plus efficacement.
- Toute surcharge nuit au fonctionnement de la sécheuse, ce qui entraîne un séchage inégal, de même qu'un excès de plis dans certains tissus.



Remplacement de la lumière du tambour (certains modèles)

1. Débrancher la sécheuse ou la couper du secteur.
2. Soulever le dessus de la sécheuse en insérant un couteau à mastic dessous à 10,2 cm (4 po) du côté de chaque côté.
3. Faire pivoter le porte-ampoule pour le mettre en position verticale avant d'enlever l'ampoule.
4. Pousser sur l'ampoule et la faire tourner dans le sens antihoraire pour l'enlever.
5. Remplacer l'ampoule par une ampoule à appareils électro-ménagers à visser de 25 W et 115/125 V, référence n° 53-0570, ou une ampoule équivalente. Mettre l'ampoule dans la douille, pousser et tourner dans le sens horaire.
6. Faire pivoter le porte-ampoule pour le mettre en position horizontale.
7. Remettre le dessus de la sécheuse dans sa position d'origine. Veiller à ce que les languettes métalliques retiennent le dessus en place.
8. Rebrancher la sécheuse ou la remettre sur le secteur.



Conseils pour l'évacuation de l'air

⚠ AVERTISSEMENT

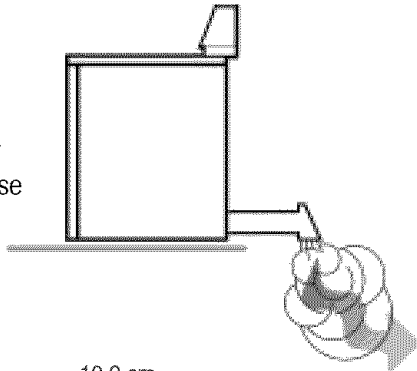
Les conduits flexibles en plastique ou non métalliques présentent des risques d'incendie.

Faire

Lire les instructions de mise en service et le guide de l'utilisateur.

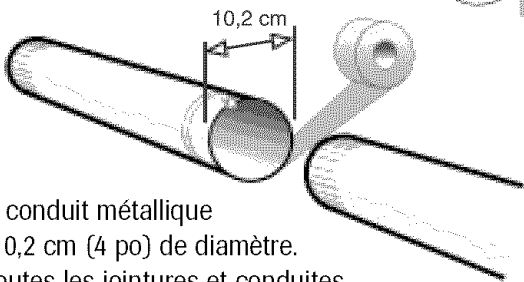
Faire

Faire en sorte que l'air s'évacue de la sècheuse avec facilité.



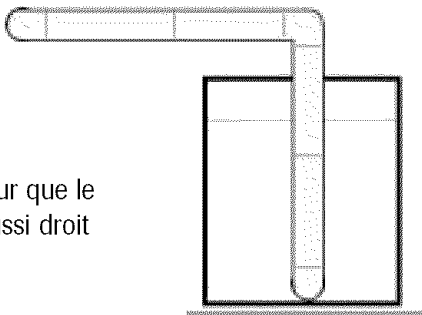
Faire

Utiliser un conduit métallique rigide de 10,2 cm (4 po) de diamètre. Rubaner toutes les jointures et conduites au niveau de la sècheuse. Ne pas utiliser de vis, qui retiennent la charpie.



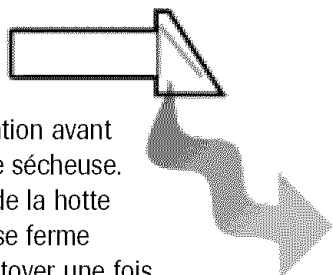
Faire

S'organiser pour que le conduit soit aussi droit que possible.



Faire

Nettoyer à fond tout ancien conduit d'évacuation avant d'y raccorder la nouvelle sècheuse. S'assurer que le clapet de la hotte d'évacuation s'ouvre et se ferme librement. Vérifier et nettoyer une fois par an le système d'évacuation.

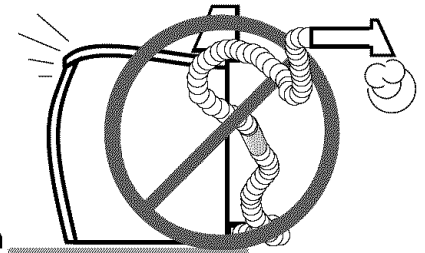


Ne pas faire

Permettre qu'un système d'évacuation inadéquat ralentisse le séchage du linge.

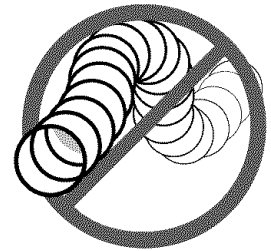
Ne pas faire

Restreindre l'efficacité de la sècheuse avec un système d'évacuation médiocre.



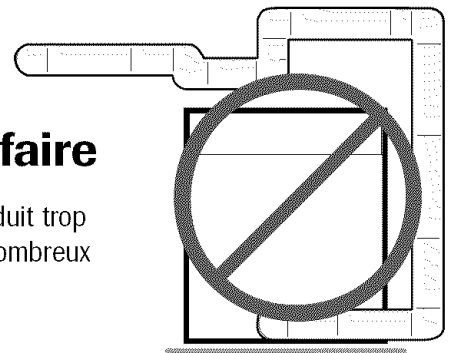
Ne pas faire

Utiliser un conduit en plastique, en aluminium fin ou un conduit flexible non métallique.



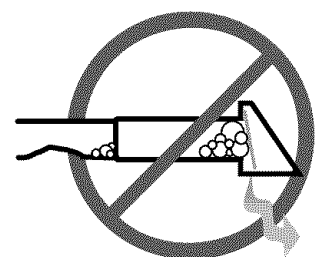
Ne pas faire

Utiliser un conduit trop long avec de nombreux coudes.



Ne pas faire

Utiliser des conduits et un clapet d'évacuation écrasés ou bloqués.



Recherche des pannes

Ne se met pas en marche	<ul style="list-style-type: none"> • S'assurer que la porte est bien fermée. • La sècheuse est-elle branchée ? • Un fusible a-t-il sauté ou le disjoncteur est-il enclenché ? • Pousser sur la selecteur à nouveau si la porte a été ouverte au cours du cycle.
Ne produit pas de chaleur	<ul style="list-style-type: none"> • Un fusible a-t-il sauté ou le disjoncteur est-il enclenché ? • Sélectionner un réglage avec production de chaleur, et non « Fluff ». • S'il s'agit d'une sècheuse à gaz, vérifier que le robinet d'arrivée de gaz est ouvert. • Nettoyer le filtre à charpie et le conduit d'évacuation. • La minuterie de la sècheuse peut s'être déplacée à la section refroidissement du cycle.
Sèche de façon inadéquate	<ul style="list-style-type: none"> • Vérifier ce qui précède, plus... • Vérifier si la hotte d'évacuation à l'extérieur de la maison s'ouvre et se ferme librement. • Vérifier le système d'évacuation pour voir s'il n'y a pas d'accumulation de charpie. La conduite doit être vérifiée et nettoyée une fois par an. • Utiliser une gaine d'évacuation en métal rigide de 10,2 cm (4 po). • Ne pas trop remplir la sècheuse. Une charge de machine à laver correspond à une charge de sècheuse. • Séparer les tissus épais des tissus légers. • Les articles de grande taille, volumineux, comme couvertures et dessus de lit peuvent exiger une redistribution afin d'assurer un séchage uniforme. • Vérifier le tuyau d'écoulement de la machine à laver pour s'assurer qu'elle essore correctement le linge. • Charges de linge trop petites pour un culbutage satisfaisant. Ajouter quelques serviettes.
Est bruyante	<ul style="list-style-type: none"> • Vérifier qu'il n'y a pas, dans la sècheuse, d'objets tels que pièces, clous, etc. Les enlever immédiatement. • Il est normal d'entendre le robinet à gaz ou l'élément chauffant de la sècheuse fonctionner par intermittence pendant le cycle de séchage. • La machine doit être de niveau et stable. • Un petit déclic peut provenir du fonctionnement de la minuterie. • Il est normal que la sècheuse fasse un bruit de ronronnement étant donné le mouvement important d'air dans le tambour de la sècheuse et son système d'évacuation.
Le sélecteur avance lentement	<ul style="list-style-type: none"> • Ceci est normal avec un cycle « AutoDry » (séchage automatique), surtout au début du cycle. Une fois que le linge commence à sécher, le sélecteur commence à avancer. Il avance lentement au début du cycle parce qu'il y a plus d'humidité dans le linge. Le sélecteur avance plus rapidement au fur et à mesure que le linge sèche.
Ne sèche pas uniformément	<ul style="list-style-type: none"> • Les coutures, les poches et autres endroits semblables de forte épaisseur, peuvent ne pas être complètement secs, alors que le reste a atteint le niveau de séchage choisi. Ceci est normal. Choisir le réglage « More Dry » (Plus sec). • Si un article épais est mis à sécher avec une charge légère comme une serviette avec des draps, il est possible qu'il ne soit pas complètement sec, alors que le reste est au niveau de séchage choisi. Pour obtenir de meilleurs résultats, mettre à sécher les articles légers à part des articles épais.
Dégage une odeur	<ul style="list-style-type: none"> • Les odeurs domestiques comme peinture, vernis, nettoyants puissants, etc., peuvent atteindre la sècheuse en provenance de l'air ambiant alentour. Ceci est normal étant donné que la sècheuse extrait de l'air de la pièce, le réchauffe, puis après un passage par le tambour, l'évacue vers l'extérieur. Lorsque ces odeurs sont présentes dans l'air, bien aérer la pièce avant d'utiliser la sècheuse.

**Pour toute assistance technique, communiquer avec Maytag ServicesSM,
Service-clients Maytag : au Canada : 1-800-688-2002**



Garantie et service après-vente

Garantie de la sécheuse

Garantie totale d'un an

Pendant un (1) an à partir de la date de l'achat d'origine, toute pièce qui vient à être défectueuse dans des conditions normales d'utilisation ménagère sera réparée ou remplacée gratuitement.

Garantie limitée

Après la première année suivant la date de l'achat d'origine et pendant les périodes énumérées ci-dessous, les pièces indiquées ci-après qui se révéleraient défectueuses dans des conditions normales d'utilisation domestique seront réparées ou remplacées gratuitement pour ce qui est de la pièce elle-même; il revient au client de prendre à sa charge les autres frais, y compris les frais de main-d'œuvre, de kilométrage, de déplacement, de transport et si besoin est, les frais relatifs au diagnostic.

Deuxième année : Toutes les pièces.

De la troisième à la cinquième année : Toutes les commandes à circuits intégrés (si la machine en est équipée).

Garantie limitée additionnelle contre la rouille à coeur

Si la caisse extérieure, y compris la porte, le tambour et l'avant et l'arrière du tambour font l'objet de perforation par la rouille au cours de la première année suivant la date de l'achat d'origine, elle sera réparée ou remplacée gratuitement. Après la première année et jusqu'à la fin de la dixième année, elle sera réparée ou remplacée gratuitement pour ce qui est de la pièce elle-même, tous les autres frais, y compris ceux de main-d'œuvre, de déplacement, de transport et les frais relatifs au diagnostic (si besoin est), étant à la charge du client.

À noter : Cette garantie totale et la garantie limitée s'appliquent quand la machine se trouve aux États-Unis ou au Canada. Si elle se trouve dans une autre partie du monde, elle n'est couverte que par la garantie limitée, y compris en ce qui concerne les pièces se révélant défectueuses au cours de la première deux années.

Résidents canadiens

Cette garantie ne couvre que les appareils électroménagers mis en service au Canada et homologués par des organismes de vérification appropriés ou certifiés conformes aux directives de l'Association canadienne de normalisation, sauf en ce qui concerne les appareils transférés au Canada à la suite d'un changement de résidence à partir des États-Unis.

Les garanties spécifiques ci-dessus sont les SEULES garanties accordées par le fabricant. Cette garantie vous donne des droits juridiques spécifiques et vous pouvez également bénéficier d'autres droits qui varient d'une province à l'autre.

Ne sont pas couverts par ces deux garanties:

1. Les problèmes et dommages résultant des situations suivantes:
 - a. Installation, livraison ou entretien défectueux.
 - b. Toute réparation, modification, altération ou ajustement non autorisé par le fabricant ou un prestataire de service après-vente agréé.
 - c. Usage inapproprié, abusif, déraisonnable ou accidents.
 - d. Alimentation électrique ou tension incorrectes.
 - e. Réglage inapproprié de toute commande.
2. Les garanties sont annulées si les numéros de série d'origine ont été enlevés, modifiés ou ne peuvent être déterminés facilement.
3. Ampoule.
4. Appareils achetés à des fins commerciales ou industrielles.
5. Les frais de dépannage ou de visite pour:
 - a. Corriger des erreurs d'installation.
 - b. Enseigner au consommateur comment utiliser son appareil correctement.
 - c. Assurer le transport de l'appareil jusqu'à l'entreprise de service après-vente.
6. Dommages indirects ou accessoires supportés par toute personne à la suite d'une quelconque violation de garantie.

Certain états ne permettent pas l'exclusion ou la limitation de responsabilité en ce qui concerne les dommages indirects, et l'exclusion ci-dessus peut ne pas s'appliquer à votre cas.

Pour obtenir les prestations de garantie

Pour localiser une entreprise de service après-vente agréée Maytag dans votre région, contacter le concessionnaire MAYTAG où la machine a été achetée ou appeler Maytag ServicesSM le service-clients Maytag. Si les prestations de garantie obtenues ne vous donnent pas satisfaction, contacter ce service par courrier ou par téléphone:

Maytag ServicesSM
Attn: CAIR[®] Center
P.O. Box 2370
Cleveland, TN 37320-2370
Canada 1-800-688-2002

Remarque

- Quand vous écrivez au sujet d'un problème non résolu, veuillez inclure les renseignements suivants :
 - a. Vos nom, adresse et numéro de téléphone ;
 - b. Les numéros de modèle et de série de votre machine (sur la plaque signalétique située dans le coin inférieur droit de l'ouverture de la porte) ;
 - c. Les nom et adresse du concessionnaire ainsi que la date d'achat de l'appareil ;
 - d. Une description claire du problème rencontré ;
 - e. Date de la preuve d'achat (bon de caisse).

Guide de l'utilisateur, manuels de dépannage et catalogues de pièces détachées sont disponibles auprès Maytag ServicesSM, du service-clients Maytag.



MAYTAG
Performa™



Secadora

Guía de uso y cuidado

Tabla de Materias



Seguridad 20-21



Sugerencias para la operación ... 22

Limpie el filtro para pelusa
 Cargue adecuadamente



Cuidado y limpieza 22

Panel de control
 Tambor
 Gabinete
 Sistema de descarga de la secadora
 Reemplazo del foco del tambor



Usar los controles 23-24

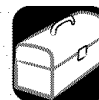
Selección la temperatura
 Selección las opciones
 Selección el ciclo
 Presione el disco de control



Sugerencias para el escape 25



Localización y solución de averías 26



Garantía y servicio 27



Seguridad

Instalador: Deje este manual con el electrodoméstico.

Cliente: Lea y conserve este manual para futuras referencias. Conserve el recibo de compra y/o el cheque cancelado como comprobante de compra.

Número de modelo _____

Número de serie _____

Fecha de compra _____

Si desea obtener más información llame a:

Maytag Customer Assistance

1-800-688-9900 EE.UU.

1-800-688-2002 Canada

(De lunes a viernes de 8 a.m. a 8 p.m. hora del Este)

Internet: <http://www.maytag.com>

En nuestro esfuerzo continuo para mejorar la calidad y el rendimiento de nuestros productos, puede ser necesario hacer cambios a este electrodoméstico sin necesidad de revisar esta guía.

Si desea obtener más información sobre el servicio, consulte la página 27.

Ahora debe conocer las instrucciones de seguridad

Las advertencias y las instrucciones importantes de seguridad que aparecen en este manual no tienen el propósito de cubrir todas las condiciones posibles que podrían ocurrir. Debe usarse sentido común, precaución y cuidado cuando se instale, se presente mantenimiento o se opere el electrodoméstico.

Siempre comuníquese con el distribuidor, concesionario, agente de servicio o fabricante para los asuntos relacionados con problemas o condiciones que no entienda.

Reconozca los símbolos de seguridad, advertencias, etiquetas

ADVERTENCIA

ADVERTENCIA – Peligros o prácticas no seguras que **PODRÍAN** causar lesión personal grave o mortal.

PRECAUCIÓN

PRECAUCIÓN – Peligros o prácticas no seguras que **PODRÍAN** causar lesión personal menos grave.

ADVERTENCIA

Por su seguridad, debe seguir las instrucciones de este manual para minimizar el riesgo de incendio o explosión o para evitar daños materiales, lesiones personales o la muerte.

- No almacene ni use gasolina u otros vapores y líquidos inflamables cerca de este o de cualquier otro electrodoméstico.

EN CASO DE QUE PERCIBA OLOR A GAS:

- No trate de encender ningún electrodoméstico.
- No toque ningún interruptor eléctrico.
- No use ningún teléfono en el edificio.
- Pida a todos los ocupantes de la habitación, el edificio o el área que se alejen de ella.
- Llame inmediatamente a la compañía abastecedora de gas desde el teléfono de un vecino. Siga las instrucciones de la compañía.
- Si no puede comunicarse con la compañía de gas, llame al departamento de bomberos.

La instalación y el servicio de este electrodoméstico deben llevarse a cabo por un instalador, centro de servicio calificados o por la compañía de gas.

ADVERTENCIA! PELIGRO DE INCENDIO

No coloque dentro de la secadora artículos que se hayan manchado o empapado con aceite vegetal o de cocina. Aún después de lavarse, estos artículos pueden contener cantidades significativas de estos aceites. El aceite restante puede encenderse espontáneamente. El potencial de ignición espontánea aumenta cuando los artículos que contienen aceite vegetal o de cocina están expuestos al calor. Las fuentes de calor, tales como su secadora de ropa, pueden calentar estos artículos, permitiendo que ocurra una reacción por oxidación en el aceite. La oxidación crea calor. Si este calor no puede escapar, los artículos pueden llegar a calentarse lo suficiente como para prenderse. El amontonar, apilar o guardar esta clase de artículos puede impedir que el calor escape creando un peligro de incendio.

Todas las telas lavadas y sin lavar que contengan aceite vegetal o de cocina pueden ser peligrosas. El lavar estos artículos en agua caliente con detergente adicional reducirá, pero no eliminará el peligro. Siempre use el ciclo de "enfriamiento" en estos artículos para reducir la temperatura de los mismos. Nunca retire estos artículos de la secadora de ropa mientras estén calientes ni interrumpa el ciclo de secado hasta que los artículos se hayan hecho pasar por el ciclo de "enfriamiento". Nunca amontone ni apile estos artículos cuando están calientes.



Seguridad

⚠ ADVERTENCIA

Para reducir el riesgo de incendio, explosión, descarga eléctrica o lesiones personales al usar su secadora, siga las precauciones básicas de seguridad, entre ellas las siguientes:

1. Lea todas las instrucciones antes de usar el aparato.
2. Para evitar la posibilidad de incendio o de explosión:
 - a. Este aparato no debe usarse para secar líquidos solventes ni de lavado en seco. Esta secadora está diseñada sólo para secar materiales textiles lavados en agua. No seque artículos que han sido previamente lavados o sumergidos en gasolina, o limpiados o desmanchados con ella, solventes de lavado en seco, u otras sustancias inflamables o explosivas y que despiden vapores que podrían encenderse o explotar. Todo material en el que ha usado un solvente de limpieza, o el cual se ha saturado con líquidos o sólidos inflamables, no debe colocarse en la secadora hasta que todo rastro de estos líquidos o sólidos inflamables y sus vapores se hayan quitado. Hay muchos artículos altamente inflamables que se usan en los hogares, tales como: acetona, alcohol desnaturalizado, gasolina, parafina, algunos limpiadores domésticos, algunos quitamanchas, aguarrás, ceras y quita cera.
 - b. Los artículos que contengan espuma de goma (puede estar marcado como espuma de látex) o materiales parecidos a la goma de similar textura no deben secarse en un ajuste de calor. Los materiales de espuma de goma, cuando se calientan, pueden producir fuego por combustión espontánea bajo ciertas circunstancias.
3. No permita que los niños jueguen sobre el aparato o dentro de él. Es necesario supervisar de cerca a los niños cuando se use el aparato cerca de ellos.
4. Antes de retirar el aparato de servicio o de desechar.
5. No introduzca las manos dentro del aparato si el cilindro se está moviendo (se ha instalado un interruptor de seguridad en la puerta).
6. No instale ni guarde este aparato donde va a estar expuesto a la intemperie.
7. No altere los controles.
8. No repare ni reemplace ninguna pieza del aparato o intente darle ninguna clase de servicio. Las reparaciones y el servicio deben llevarse a cabo por personal calificado de servicio.
9. No use suavizante de telas ni otros productos para eliminar la estática a menos que el fabricante del suavizante o del producto lo recomiende para usarse en secadoras.
10. Limpie el filtro de pelusa antes o después de cada carga.

11. Mantenga el área alrededor de la abertura del escape y las áreas circundantes libres de acumulaciones de pelusa, polvo y suciedad.
12. El interior de la secadora y del ducto de escape debe limpiarse periódicamente por personal calificado de servicio.
13. Este aparato debe estar apropiadamente conectado a tierra. Nunca conecte este aparato a una fuente de electricidad que no esté apropiadamente conectada a tierra y de acuerdo a las regulaciones locales y nacionales (vea las instrucciones de instalación).
14. No se siente ni se pare en la parte superior de la secadora de ropa.

Aviso y advertencia de seguridad importantes

La Ley sobre Sustancias Tóxicas y Agua Potable Segura de California, de 1986 (Proposición 65), estipula que el gobernador de California debe publicar una lista de sustancias que el Estado de California sabe que pueden causar cáncer o daños en el sistema reproductor, y requiere que las empresas adviertan a sus consumidores sobre las exposiciones potenciales a tales sustancias.

Los usuarios de este dispositivo quedan advertidos por medio de este documento que la combustión de gas puede dar como resultado una exposición a bajo nivel de algunas de las sustancias listadas, entre ellas benceno, formaldehído y negro de humo (hollín), debido principalmente a la combustión incompleta del gas natural o petróleo líquido (LP). Los conductos de descarga deben mantenerse libres de obstrucciones, y una secadora con un sistema de descarga adecuadamente instalado minimizará la exposición a estas sustancias.

⚠ ADVERTENCIA

Podían ocurrir fugas de gas en el sistema y causar una situación peligrosa. Es posible que las fugas de gas no se detecten con el olfato solamente. Los proveedores de gas recomiendan que compre e instale un detector de gas aprobado por UL. Instálelo y úselo de acuerdo con las instrucciones del fabricante.

Nota

- Debido a la mejora continua de sus productos, Maytag se reserva el derecho de cambiar las especificaciones sin previo aviso. Si desea ver los detalles completos, consulte las instrucciones de instalación que vienen con su producto antes de seleccionar el tipo de ebanistería, marcar las aberturas o comenzar la instalación.

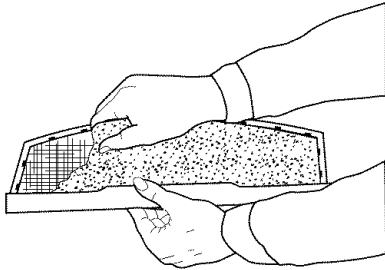
CONSERVE ESTAS INSTRUCCIONES



Sugerencias para la operación

Limpie el filtro para pelusa

- Después de cada carga.
- Para reducir el tiempo de secado.
- Para que la secadora funcione con un consumo más eficiente de energía.

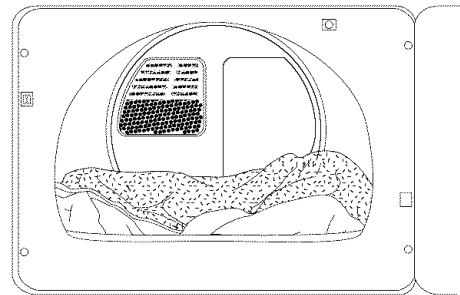


Nota

- No opere la secadora sin el filtro para pelusa.

Cargue adecuadamente la secadora

- Coloque en la secadora una carga a la vez.
- Las cargas mezcladas de ropa pesada y ropa ligera se secarán de manera diferente. La ropa ligera se secará, mientras que la ropa pesada puede quedar húmeda.
- Cuando necesite secar sólo una o dos prendas, añada uno o más artículos similares. De esta manera aumentará el movimiento de la ropa y la eficiencia de secado.
- Las cargas excesivas restringen el movimiento de la ropa dando como resultado un secado irregular y el arrugado excesivo de algunas telas.



Cuidado y limpieza

Panel de control

Limpie el panel con un paño suave y húmedo. No use sustancias abrasivas.

Tambor

Quite todas las manchas, (de lápices de cera, tinta o colorante de telas) con jabón y agua. Luego seque toallas o trapos viejos limpios para remover las manchas que hayan quedado.

Gabinete

Borre las marcas con jabón y agua. Si lo desea, utilice cera para electrodomésticos una vez al año.

Sistema de descarga de la secadora

Inspeccione y limpie una vez al año el sistema de descarga para mantener un rendimiento óptimo. La campana exterior de descarga debe limpiarse con más frecuencia para asegurar una operación adecuada. (Si desea más información consulte las instrucciones de instalación.)

Reemplazo del foco del tambor (modelos selectos)

1. Desenchufe o desconecte la secadora del suministro eléctrico.
2. Levante la parte superior de la secadora insertando un cuchillo de masilla debajo de la parte superior, a 4" (10,2 cm) de cada lado.
3. Gire el portafoco hasta que quede en posición vertical antes de quitar el foco.
4. Empuje el foco hacia abajo y gírelo hacia la izquierda para quitarlo.
5. Coloque un foco nuevo de 25 watts, de 115/125 voltios con conector de fijación, número de pieza 53-0570 o uno equivalente. Coloque el foco en el receptáculo, empujelo hacia adentro y gírelo hacia la derecha.
6. Gire el portabulbos hasta colocarlo en posición horizontal.
7. Vuelva a colocar la parte superior de la lavadora en su posición original. Asegúrese de que las lengüetas metálicas fijen la parte superior de la lavadora en su posición.
8. Vuelva a conectar la secadora en el suministro eléctrico.



Usar los controles

PASO 1

Selección la temperatura

Para seleccionar la temperatura correcta, coloque el control de temperatura en una de las siguientes cuatro opciones: regular, media (modelos selectos), delicado o esponjado con aire.

TEMPS, DE LA SECADORA	TIPO DE CARGA
Regular	Telas de algodón resistentes o ropa con etiqueta Tumble Dry (Secado regular).
Medium Mediano (modelos selectos)	Para telas sintéticas inarrugables o de planchado permanente, y telas de algodón ligeras con la etiqueta Tumble Dry Medium (Secado mediano).
Delicate Delicado	Para telas sensibles al calor con la etiqueta Tumble Dry Low (Secado bajo) o Tumble Dry Medium (Secado mediano).
Air Fluff Esponjado con aire	Ropa que necesita renovación. La carga se seca con aire a temperatura ambiente.

PASO 2

Selección las opciones

Extended Tumble (Agitación prolongada) (modelos selectos)

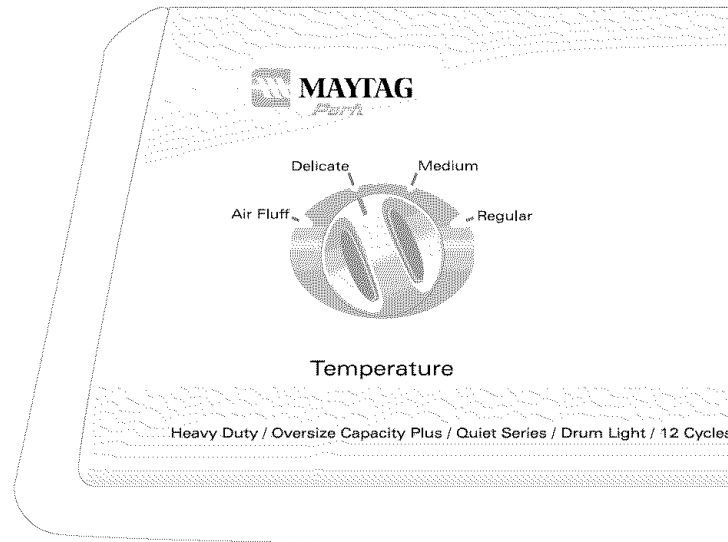
La opción de Extended Tumble (Agitación prolongada) se ofrece para minimizar las arrugas en el ciclo de secado automático de telas inarrugables. Esta característica permite el secado adicional sin calor durante 60 minutos adicionales al final del ciclo, dependiendo del modelo. La ropa se puede sacar en cualquier momento durante esta porción del ciclo.

En los modelos de secadoras con la característica opcional EXTENDED TUMBLE, los 60 minutos de secado sin calor se pueden cancelar girando la perilla selectora hasta OFF (APAGADO).

End of Cycle Signal (Señal de fin de ciclo)

Cuando termina el ciclo, se escuchará una señal. En algunos modelos, la señal de final de ciclo se puede dar vuelta apagado.

Saque inmediatamente la carga para reducir el arrugado de la ropa.



PASO 3

Selección el ciclo

Para seleccionar un ciclo, gire hacia la derecha el disco de control hasta el ajuste deseado. Cuando use un ciclo de secado automático, el disco de control debe apuntar entre More Dry (Más seco) y Less Dry (Menos seco) para la mayoría de las cargas.

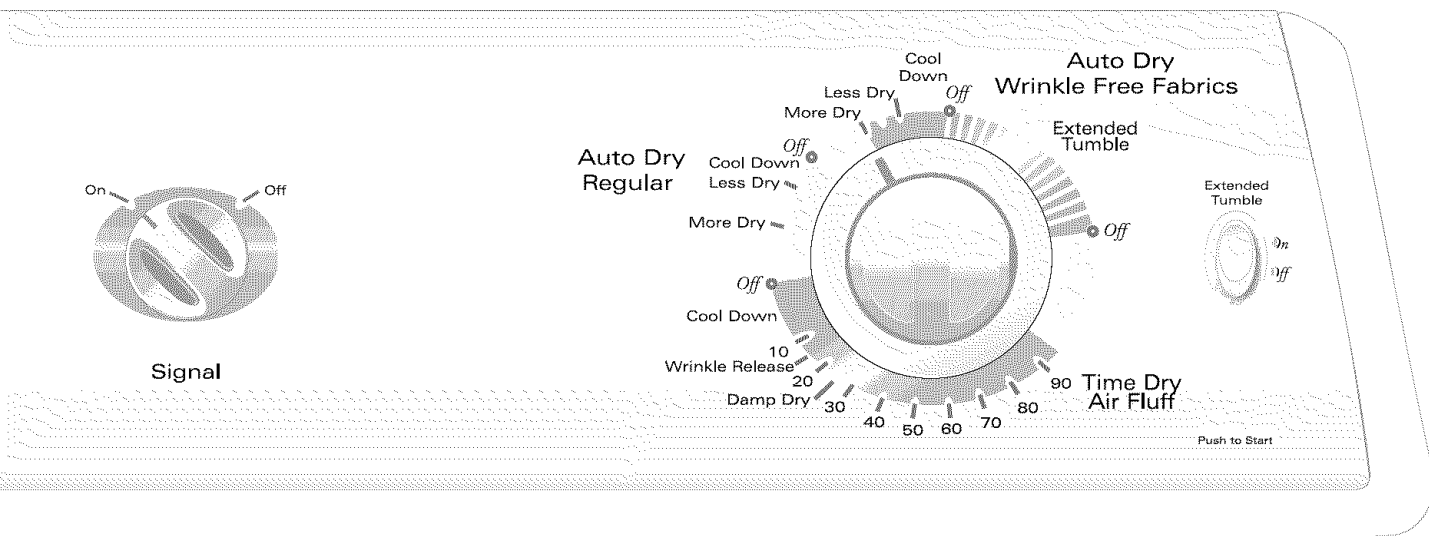
Es posible que las cargas de mayor tamaño o más voluminosas requieran el ajuste More Dry para secar completamente la carga. El ajuste Less Dry es mejor para las telas ligeras o para dejar humedad en la ropa al final del ciclo.

Auto Dry Regular (Secado automático regular)

El ciclo de secado automático regular está diseñado para secar la mayoría de telas de algodón y de lino. Al final del ciclo, las telas se enfrían durante aproximadamente 10 minutos para reducir el arrugado.

Auto Dry Wrinkle Free Fabrics (Secado automático de telas sin arrugas)

El ciclo de secado automático de telas sin arrugas está diseñado para secar automáticamente telas de algodón, telas sintéticas, de tejido doble y de planchado permanente, sin arrugas. Al final del ciclo, la ropa se enfría durante aproximadamente 20 minutos para reducir el arrugado. Si la ropa no es sacada de la secadora y se ha seleccionado



Los ciclos y las opciones pueden variar dependiendo del modelo.

'Extended Tumble', el ciclo avanzará a 'EXTENDED TUMBLE' que proporciona tiempo de secado adicional sin calor (Ver Paso 2).

Time Dry/Air Fluff (Tiempo de secado/esponjado con aire)

Este ciclo se puede usar para regular el tiempo de secado. Úselo con los ajustes de temperatura esponjado con aire, delicado, media (modelos selectos) o regular. Para el secado por un tiempo determinado, gire hacia la derecha el disco de control hasta que el indicador apunte al ajuste de tiempo adecuado en el ciclo de tiempo de secado/esponjado con aire.

Nota

- Cuando se usa el ajuste de temperatura de esponjado con aire el tiempo de secado será mayor.

Opciones especiales (modelos selectos)

La opción **Damp Dry** (Secado húmedo) se encuentra en la sección de Tiempo de secado/esponjado con aire del disco de control. Esta opción está diseñada para secar parcialmente la ropa, y se puede usar con cualquier selección de temperatura. La opción **Damp Dry** (Secado húmedo) proporcionará 20 minutos de secado, seguidos por cinco minutos de secado con enfriamiento.

La opción **Wrinkle Release** (Eliminación de arrugas) eliminará las arrugas de la ropa limpia y seca que está ligeramente arrugada, como por ejemplo ropa que estaba apilada en un armario o en una maleta o que se quedó en la secadora un período de tiempo prolongado después de la conclusión del ciclo. La opción **Wrinkle Release** (Eliminación de arrugas) proporciona 10 minutos de secado seguidos por cinco minutos de secado con enfriamiento y se puede usar con cualquier selección de temperatura.

PASO 4

Presione el disco de control

Presione el disco de control para iniciar el funcionamiento de la secadora. La puerta de la secadora debe estar cerrada para que la secadora funcione.

Nota

- Puede girarse el disco en cualquiera de las dos direcciones para seleccionar un ciclo. Una vez iniciado, el disco no avanzará a una velocidad específica durante los ciclos de « Auto Dry » (secado automático). Al principio el disco no avanzará nada. Hacia el final del ciclo (cuando la carga comienza a secarse) el disco avanzará a una velocidad más regular y mucho más rápidamente. Esta operación es normal.



Sugerencias para el escape

⚠ ADVERTENCIA

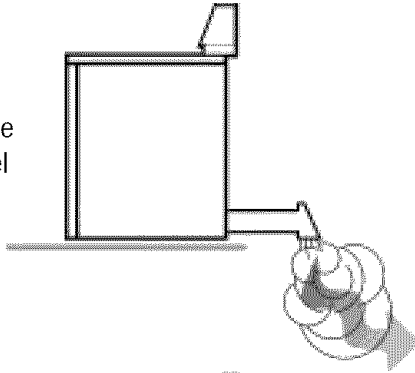
Los conductos flexibles de plástico o no metálicos presentan el riesgo de incendio.

Qué hacer

Sí lea las instrucciones de instalación y la guía del usuario.

Qué hacer

Lea las instrucciones de instalación y la guía del usuario.



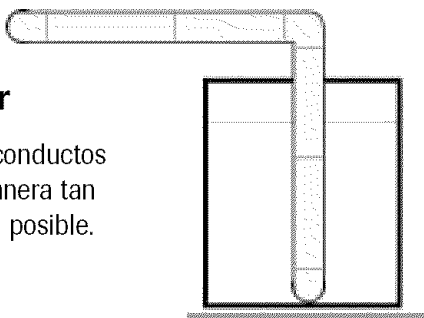
Qué hacer

Utilice un conducto metálico rígido de 4" (10,2 cm) de diámetro. Coloque cinta adhesiva en todas las juntas, incluyendo en la secadora. Nunca utilice tornillos para atrapar pelusa.



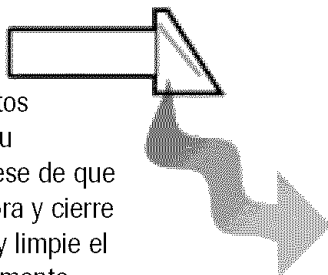
Qué hacer

Mantenga los conductos tendidos de manera tan recta como sea posible.



Qué hacer

Limpie todos los conductos viejos antes de instalar su secadora nueva. Asegúrese de que la aleta de ventilación abra y cierre libremente. Inspeccione y limpie el sistema de escape anualmente.

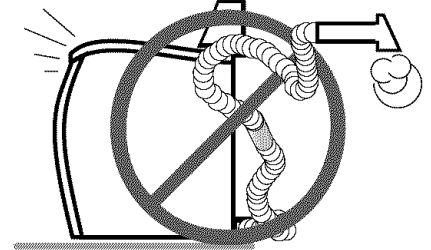


Qué no hacer

No permita que un sistema de descarga inadecuado aumente el tiempo de secado.

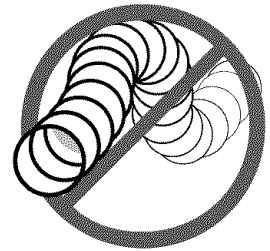
Qué no hacer

No limite el rendimiento de su secadora con un sistema de descarga inadecuado.



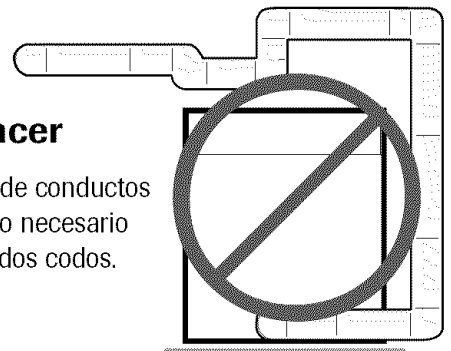
Qué no hacer

No use conductos flexibles de plástico, aluminio ni no metálicos.



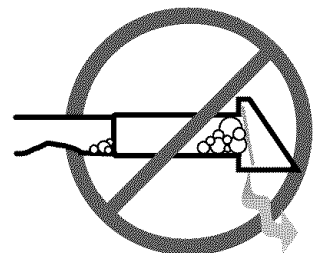
Qué no hacer

No use tramos de conductos más largos de lo necesario ni con demasiados codos.



Qué no hacer

No permita que los conductos y la abertura de ventilación estén aplastados ni obstruidos.





Localización y solución de averías

No funciona	<ul style="list-style-type: none">• Asegúrese de que la secadora tenga la puerta cerrada.• ¿Está enchufado el cable eléctrico?• ¿Hay un fusible fundido o un disyuntor disparado?• Si la puerta se abre durante el ciclo, presione el disco de control para reanudar el ciclo, una vez que se haya cerrado la puerta.
No calienta	<ul style="list-style-type: none">• ¿Hay un fusible fundido o un disyuntor disparado?• Selección un ajuste de calor, no el ajuste de esponjado con aire.• Verifique que el suministro de gas sea adecuado para secadoras alimentadas con gas.• Limpie el filtro de retención de fibras y el conducto dedescarga.• El indicador de tiempo de la secadora puede haber pasado a la porción de enfriamiento del ciclo.
No seca adecuadamente	<ul style="list-style-type: none">• Revise todo lo anterior, y además...• Revise la campana de descarga en el exterior de la casa, ¿abre y cierra libremente?• Verifique si se han acumulado pelusas en el sistema de escape. Los conductos deben ser inspeccionados y limpiados todos los años.• Utilice un conducto de descarga metálico rígido de 4" (10,2 cm).• No sobrecargue la secadora. 1 carga de lavado = 1 carga de secado.• Separe las prendas pesadas de las ligeras.• Los artículos grandes y voluminosos tal como frazadas o cobertores puede que sea necesario redistribuir la ropa durante el ciclo para asegurar un secado uniforme.• Revise que la lavadora esté drenando adecuadamente para extraer el agua de la carga.• La carga de ropa es muy pequeña y no hay un movimiento adecuado, añada unas cuantas toallas.
Produce mucho ruido	<ul style="list-style-type: none">• Revise que en la carga no haya objetos tales como monedas, clavos, etc. Si los hay sáquelos inmediatamente de la secadora.• Es normal oír que la válvula de gas de la secadora o el ciclo del elemento calefactor se enciende y se apaga durante el ciclo de secado.• La secadora debe estar nivelada e instalada sobre un piso sólido.• Un ruido de chasquidos puede ser el indicador de tiempo avanzando.• Es normal que la secadora emita un ruido sordo causado por la alta velocidad del aire que se mueve a través del tambor de la secadora y del sistema de escape.
La perilla de control avanza con lentitud	<ul style="list-style-type: none">• Este funcionamiento es normal para un ciclo Auto Dry, especialmente al principio del ciclo. Una vez que la carga comienza a secarse, la perilla de control comenzará a avanzar. La velocidad de avance será baja al principio del ciclo porque hay más humedad en la carga. Al secarse más la carga, la perilla de control avanzará más rápidamente.
No seca en forma pareja	<ul style="list-style-type: none">• Las costuras, bolsillos y otras áreas gruesas similares puede que no estén completamente secas cuando el resto de la ropa haya alcanzado el grado de secado deseado. Esto es normal. Selección el ajuste More Dry (Más Seco) si lo desea.• Si se seca un artículo pesado con una carga de ropa liviana, tal como una toalla con sábanas, es posible que el artículo pesado no esté completamente seco cuando el resto de la ropa haya alcanzado el grado de secado deseado. Separe los artículos pesados de los más livianos para obtener los mejores resultados del secado.
Tiene olor	<ul style="list-style-type: none">• Los olores domésticos, tales como olores de pintura, barnices, limpiadores fuertes, etc., pueden penetrar a la secadora con el aire ambiente. Esto es normal pues la secadora extrae el aire de la habitación, lo calienta, lo circula en el tambor y lo hace salir al exterior. Cuando estos olores se encuentren presentes en el aire, ventile completamente la habitación antes de usar la secadora.

Si desea recibir más asistencia comuníquese con Maytag ServicesSM, Departamento de Asistencia al Cliente de Maytag: 1-800-688-9900 en EE.UU.; o 1-800-688-2002 en Canadá



Garantía y servicio

Garantía de la secadora

Un año de garantía en partes y mano de obra

Durante un (1) año a partir de la fecha original de la compra, cualquier parte que falle durante el uso normal en su hogar se reparará o reemplazará sin costo alguno.

Garantía Limitada

Después del primer año a partir de la fecha de compra original al menudeo, o durante los períodos que se indican a continuación, las piezas designadas que fallen en el uso de cargas, incluyendo mano de obra, millaje/kilometraje, transporte, costos de viaje y costo del diagnóstico, si es necesario.

Segundo Año – Todas las piezas.

Del Tercero al Quinto Año – Todas las piezas de los controles de estado sólidos (si así está equipada).

Garantía Limitada Adicional contra Oxidación

Si el gabinete exterior, incluyendo la puerta, agitador y la parte posterior y delantera del agitador se oxidan durante el período de un año desde la fecha de compra original al por menor, se repararán o reemplazarán gratuitamente. Después del primer año y hasta el décimo año se reparará o reemplazará gratuitamente la pieza misma y el propietario deberá pagar todos los otros gastos, incluyendo mano de obra, millaje/kilometraje, transporte, costos de viaje y costo del diagnóstico, si es necesario.

Se Ruega Nota: La garantía total y la garantía limitada aplican cuando el electrodoméstico se encuentre en Estados Unidos o en Canadá. Los electrodomésticos que se encuentren en otro lugar solamente están cubiertos por la garantía limitada, inclusive las piezas que fallen durante el primer dos años.

Residentes de Canadá

Las garantías antes mencionadas sólo cubren los electrodomésticos instalados en Canadá certificados o listados por las agencias de pruebas apropiadas para cumplir con el National Standard of Canada (Norma Nacional de Canadá), a menos que el electrodoméstico se lleve a Canadá debido a un cambio de residencia desde los Estados Unidos hacia Canadá.

Las garantías específicas expresadas anteriormente son las ÚNICAS garantías que ofrece el fabricante. Estas garantías le otorgan derechos legales específicos y puede también tener otros derechos los cuales varían entre estados.

Esta garantía no cubre lo siguiente:

1. Condiciones y daños resultantes de cualquiera de las siguientes condiciones:
 - a. Instalación, entrega o mantenimiento inadecuados.
 - b. Cualquier reparación, modificación, alteración o ajuste no autorizado por el fabricante o por un técnico de servicio autorizado.
 - c. Uso inadecuado, abuso, accidentes o uso irrazonable.
 - d. Corriente, voltaje o suministro eléctrico incorrecto.
 - e. Ajuste incorrecto de uno de los controles.
2. La garantía se anulará si el número de serie original se quita, altera o no se puede determinar fácilmente.
3. Focos.
4. Productos comprados para uso comercial o industrial.
5. El costo del servicio o de las llamadas de servicio para:
 - a. Corregir errores de instalación.
 - b. Instruir al usuario sobre el uso correcto del producto.
 - c. Transportar el electrodoméstico al centro de servicio.
6. Daños resultantes o incidentales sufridos por cualquier persona como resultado de la violación de esta garantía.

Algunos estados no permiten la exclusión ni la limitación de daños resultantes ni incidentales, de manera que es posible que no aplique la exclusión anterior.

Para obtener el servicio de garantía

Para ubicar un centro de servicio autorizado en su área, comuníquese con el distribuidor con el cual compró el electrodoméstico; o llame al Departamento de Asistencia al Cliente de Maytag ServicesSM. Si no recibe un servicio de garantía satisfactorio, por favor llame o escriba a:

Maytag ServicesSM
Attn: CAIR[®] Center
P.O. Box 2370
Cleveland, TN 37320-2370
U.S. 1-800-688-9900
Canada 1-800-688-2002

Nota

- Cuando se comunique con el Departamento de Asistencia al Cliente de Maytag ServicesSM con relación a un problema de servicio, por favor incluya la siguiente información:
 - a. Su nombre, dirección y número de teléfono;
 - b. El número de modelo y el número de serie (se encuentran en la parte frontal de la abertura de la puerta) de su electrodoméstico;
 - c. El nombre y la dirección de su distribuidor y la fecha de compra del electrodoméstico;
 - d. Una descripción clara del problema que experimenta;
 - e. Un comprobante de compra.

Las guías del usuario, los manuales de servicio y los catálogos de piezas están disponibles en el Departamento de Asistencia al Cliente de Maytag ServicesSM.