

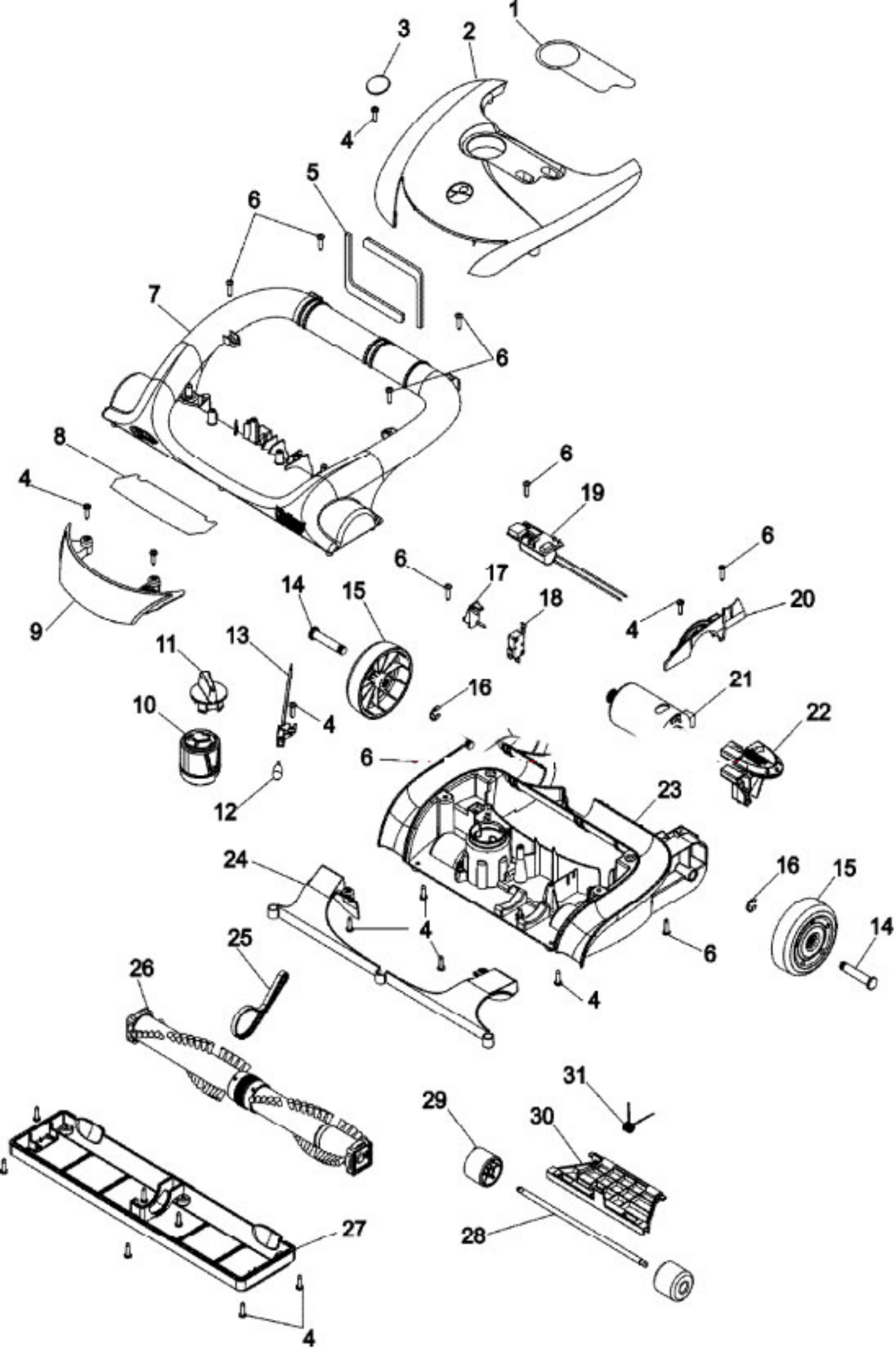
Model Number: U8185900

BOM/Serial #: U8185900

Graphic Title: UPPER ASSEMBLY

Image	Key	Part Number	Description	Substitution	Qty.
1	1	37257281	TOOL DOOR-CP		1
1	2	36433203	TOOL HOLDER W/TUR TOOL-AEA		1
1	3	38614044	FURNITURE NOZZLE-AGR		1
1	4	21447072	SCREW		3
1	5	49129027	TURBINE HAND TOOL		1
1	6	43414195	DUSTING BRUSH ASSEMBLY-AGR		1
1	7	92001057	LENS - HANDLE GRIP		1
1	8	92001052	UPPER HANDLE ASSEMBLY		1
1	9	214472ED	SCREW-SELF TAPPING-C		6
1	10	38421112	SWITCH BUTTON-AGR		1
1	11	27854033	SWITCH/CIRCUIT BOARD		1
1	12	36911006	CONNECTOR MOUNT		1
1	13	46383342	ATTACHMENT CORD ASSEM-31 FT		1
1	14	36433196	HOSE HLDER UPPER-AGR		1
1	14	92001053	UPPER HOUSING ASSEMBLY		1
1	15	38411013	KNOB CART FILT-AG		1
1	16	37249055	DIRT CUP LID-AGR		1
1	17	38775094	<b>DIRT CUP SERVICE</b>		1
1	18	38783029	INLET SEAL-DIRT CUP-AG		1
1	19	91001035	EDF PRINTED CIRCUIT BOARD		1
1	20	91001034	RECEPTACLE / HARNESS		1
1	21	21447072	SCREW		2
1	22	92001030	CORD WRAP-AGR		1
1	23	92001064	MICROPHONE/DIRT DUCT ASSEMBLY		1
1	24	21447242	SCREW-SELF TAPPING		10
1	25	38617031	CREVICE TOOL-LONG-AGR		1
1	26	43431227	HOSE ASSEM COMP-AG/AGR		1
1	27	36433197	WAND HOLDER-UPPER-AGR		1
1	28	36433194	WAND HOLDER-LOWER-AGR		1
1	29	21447242	SCREW-SELF TAPPING		9
1	30	38683018	TRUNNION DUCT-AGR		1
1	31	92001077	FRONT PANEL-AEA		1
1	32	21447242	SCREW-SELF TAPPING		4
1	33	91001048	PRE-FILTER ASSEMBLY-AGR		1
1	34	40140201	CARTRIDGE FILTER		1

Image	Key	Part Number	Description	Substitution	Qty.
1	35	37196184	MOTOR COVER-AEA		1
1	36	21447230	SCREW-SELF TAPPING-F		6
1	37	38766028	FINAL FILTER	93002017	1
1	38	38769017	FINAL FILTER DOOR-AAN		1
1	39	34163016	MUFFLER FOAM		1
1	40	36322036	MOTOR MOUNT-MIDDLE		1
1	41	93001747	MOTOR ASSEMBLY		1
1	41	91001027	THERMAL PROTECTOR		1
1	42	38634078	EXTENSION TUBE-AG		1
1	43	37249065	BAG CONTAINER LID-AGR		1
1	44	38783035	INLET SEAL-BAG CONT-BZ		1
1	45	36424005	BAG ADAPTER-AG		1
1	46	37256005	BAG CONTAINER-AFX		1
1	47	4010100Y	ALLER FILT BAG Y - 3-PK		1
1	48	36433196	HOSE HLDER UPPER-AGR		1
1	49	91001032	HARNESS, WIRE UPPER		1



**Model Number: U8185900**  
**BOM/Serial #: U8185900**  
**Graphic Title: FOOT ASSEMBLY**

Image	Key	Part Number	Description	Substitution	Qty.
1	1	91001038	EDF NAMEPLATE		1
1	2	92001045	HOOD - AEA		1
1	3	51661020	MEDALLION		1
1	4	017001FW	SCREW		16
1	5	91001030	TRUNNION SEAL		2
1	6	21447242	SCREW-SELF TAPPING		9
1	7	92001042	AGITATOR HOUSING		1
1	8	91001031	REFLECTOR		1
1	9	92001051	LENS		1
1	10	92001049	HEIGHT ADJUSTMENT KNOB		1
1	11	92001050	HEIGHT ADJUSTMENT CAM		1
1	12	27313107	BULB		1
1	13	47173037	LAMP SOCKET		1
1	14	32434014	REAR AXLE-AA X		2
1	15	92001031	REAR WHEEL-W/TREAD-AEA/AG		2
1	16	160017--	LOCK RING		2
1	17	36913031	SWITCH BRACKET-ABE		1
1	18	91001026	SWITCH		1
1	19	91001036	DISPLAY BRIDGE PCB		1
1	20	92001040	MOTOR BRACKET		1
1	21	93001746	AGITATOR MOTOR		1
1	22	38434026	HANDLE RELEASE LEVER-AG		1
1	23	92001041	MAIN BODY		1
1	24	92001074	NOZZLE LINER-CP		1
1	25	91001028	TIMING BELT		1
1	26	93001748	AGITATOR ASSEMBLY		1
1	27	92001039	FURNITURE GUARD/ BOTTOM PLATE		1
1	28	32541007	WHEEL SHAFT-AY		1
1	29	38521009	FRONT WHEEL-AG		2
1	30	91001066	WHEEL CARRIAGE ASSEMBLY		1
1	31	38355010	TORSION SPRING		1
1	32	91001033	HARNESS, WIRE FOOT		1
1	33	56511C34	MANUAL, OWNERS	56511C52	1