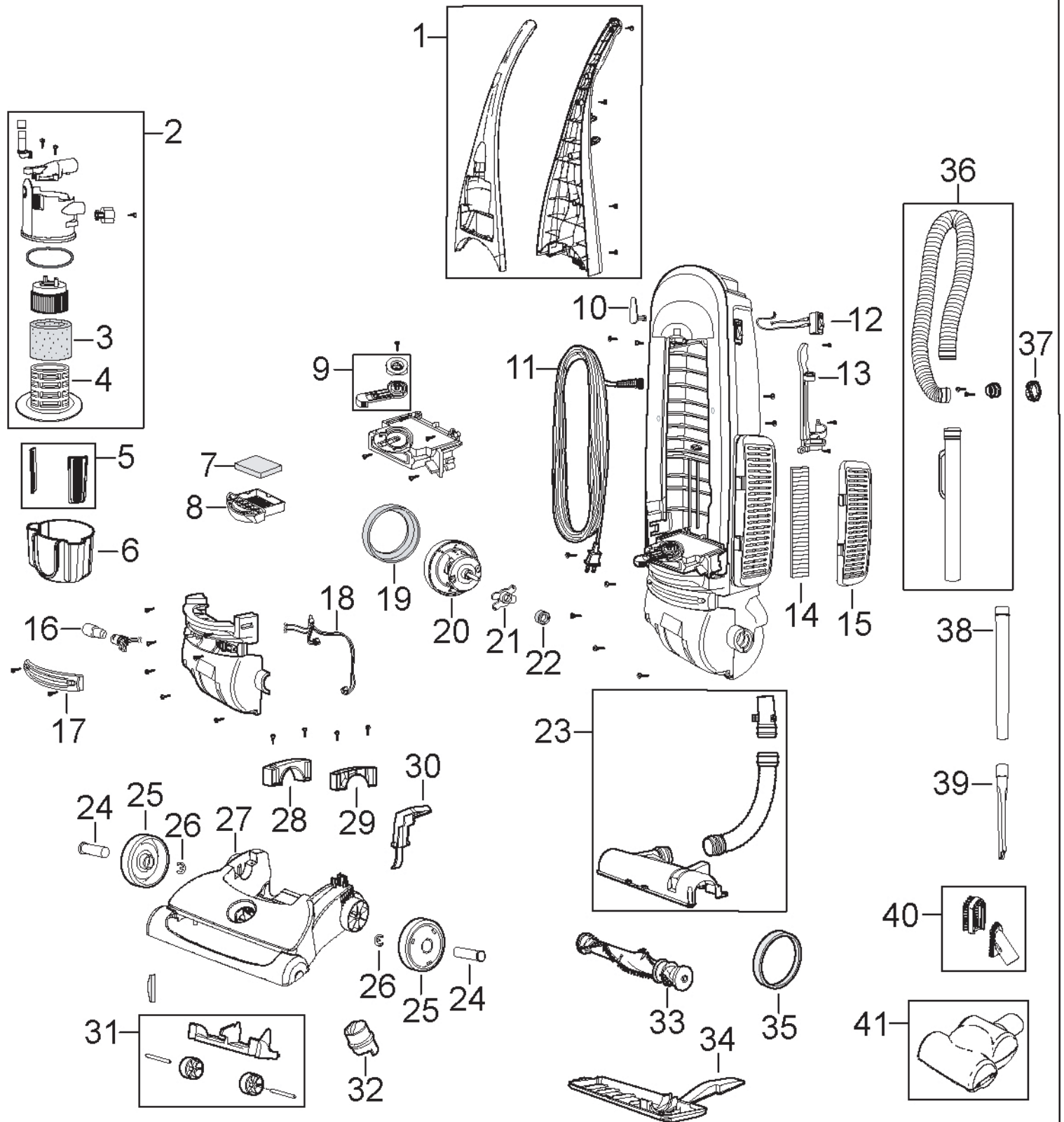




# CLEANVIEW® REVOLUTION

Models 35951, 3595H, 35961, 6591, 6591X



# CleanView® Revolution

Models 35951, 3595H, 3596, 35961, 6591, 6591X



| KEY | PART NO    | DESCRIPTION  |
|-----|------------|--|
| 1   | B-203-6741 | Handle Assy - Blue Suede                                       |
| 1   | B-203-6744 | Handle Assy - Green Slate                                      |
| 1   | B-203-6745 | Handle Assy - Spice  |
| 2   | B-203-6733 | Cyclone Assy - Clear/Lime w/ Filter Clean                      |
| 2   | B-203-6734 | Cyclone Assy - Clear/Yellow w/ Filter Clean                    |
| 2   | B-203-6735 | Cyclone Assy - Clear/Yellow w/ Filter Clean & Dirt Sensor      |
| 2   | B-203-6736 | Cyclone Assy - Light Berry/Taupe w/ Filter Clean & Dirt Sensor |
| 3   | B-203-1085 | Foam Filter  |
| 4   | B-203-6740 | Separation Flange Frame - Lime                                 |
| 4   | B-203-6739 | Separation Flange Frame - Yellow                               |
| 5   | B-203-6721 | Dirt Cup Screen (2pk) - Lime                                   |
| 5   | B-203-6727 | Dirt Cup Screen (2pk) - Yellow                                 |
| 5   | B-203-6723 | Dirt Cup Screen (2pk) - Taupe                                  |
| 6   | B-203-6737 | Dirt Cup - Clear   |
| 6   | B-203-6738 | Dirt Cup - Light Berry   |
| 7   | B-203-1073 | Pre Motor Filter   |
| 8   | B-203-2058 | Pre Motor Filter Grille  |
| 9   | B-203-1119 | Lock n' Seal Lever   |
| 10  | B-203-1018 | Cord Wrap  |
| 11  | B-203-1067 | Cord   |
| 12  | B-203-1035 | Switch   |
| 13  | B-203-1076 | Tool Caddy   |
| 14  | B-223-1047 | Post Motor Filter  |
| 15  | B-203-1011 | Post Motor Filter Grille                                       |
| 16  | B-203-1297 | Light Bulb 12V   |
| 17  | B-203-1008 | Lens   |
| 18  | B-203-1034 | Wire Harness   |
| 19  | B-203-1218 | Motor Cushion - Large  |
| 20  | B-203-2211 | Vacuum Motor   |
| 21  | B-203-1217 | Motor Support  |
| 22  | B-203-1107 | Motor Cushion - Small  |
| 23  | B-203-6747 | Case Drum Assy   |
| 24  | B-203-2547 | Axle   |
| 25  | B-203-6746 | Rear Wheel   |
| 26  | B-203-2548 | E-Ring   |
| 27  | B-203-6750 | Top Cover - Blue Suede   |
| 27  | B-203-6753 | Top Cover - Green Slate  |
| 27  | B-203-6754 | Top Cover - Spice  |
| 27  | B-203-6755 | Top Cover - Broadway Bronze                                    |
| 28  | B-203-1040 | Neck Brush - Right   |
| 29  | B-203-1039 | Neck Brush - Left  |
| 30  | B-203-6748 | Detent Lever   |
| 31  | B-203-2556 | Front Wheel Assy   |
| 32  | B-203-1122 | Height Adjustment Knob   |
| 33  | B-203-6726 | Brush Roll - Lime  |
| 33  | B-203-6729 | Brush Roll - Yellow  |
| 33  | B-203-6756 | Brush Roll - Taupe   |
| 34  | B-203-6749 | Access Plate   |
| 35  | B-203-1093 | Belt   |
| 36  | B-203-2035 | Upholstery Hose  |
| 37  | B-203-1128 | Twist n' Snap Collar   |
| 38  | B-203-1084 | Extension Wand   |
| 39  | B-203-1063 | Crevice Tool   |
| 40  | B-203-1228 | Upholstery Tool  |
| 41  | B-203-6732 | TurboBrush - Lime  |
| 41  | B-203-6730 | TurboBrush - Yellow  |
|     |            | Blue Suede = 6591, 6591X                                       |
|     |            | Green Slate = 35951, 3595H                                     |
|     |            | Spice = 3596   |
|     |            | Broadway Bronze = 35961  |
| xx  | 6036725    | User's Guide - Canada  |
| xx  | 2036720    | User's Guide - United States                                   |