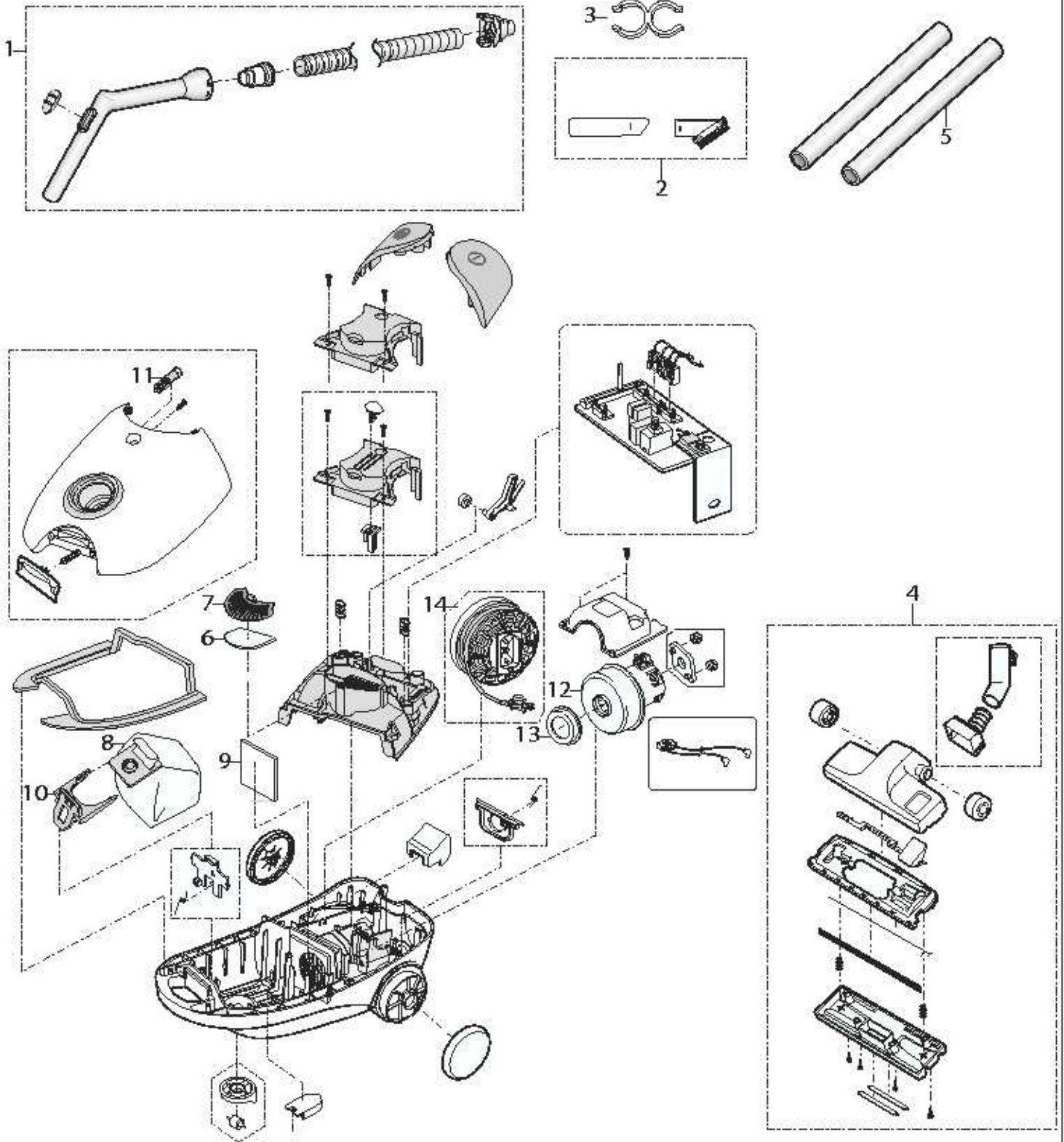




Power Partner

Model 6800



issued: 7/02

revision:

page:

Canister Vacuum

6800 SERIES



KEY PART NO	DESCRIPTION
1 2032021	HOSE
2 2032022	CREVICE TOOL/DUSTING BRUSH
3 2032019	HANGER ACCESSORY
4 2032017	FOOT ASSEMBLY
5 2032023	WAND
6 2032024	POST MOTOR FILTER
7 2032025	FILTER GRILLE
8 2032026	BAG (5-PACK)
9 2032027	PRE MOTOR FILTER
10 2032028	BAG HOLDER
11 2032029	FULL BAG INDICATOR
12 2030030	MOTOR
13 2032030	MOTOR GASKET
14 2032014	CORD REEL ASSEMBLY
xx 2032033	USER'S GUIDE