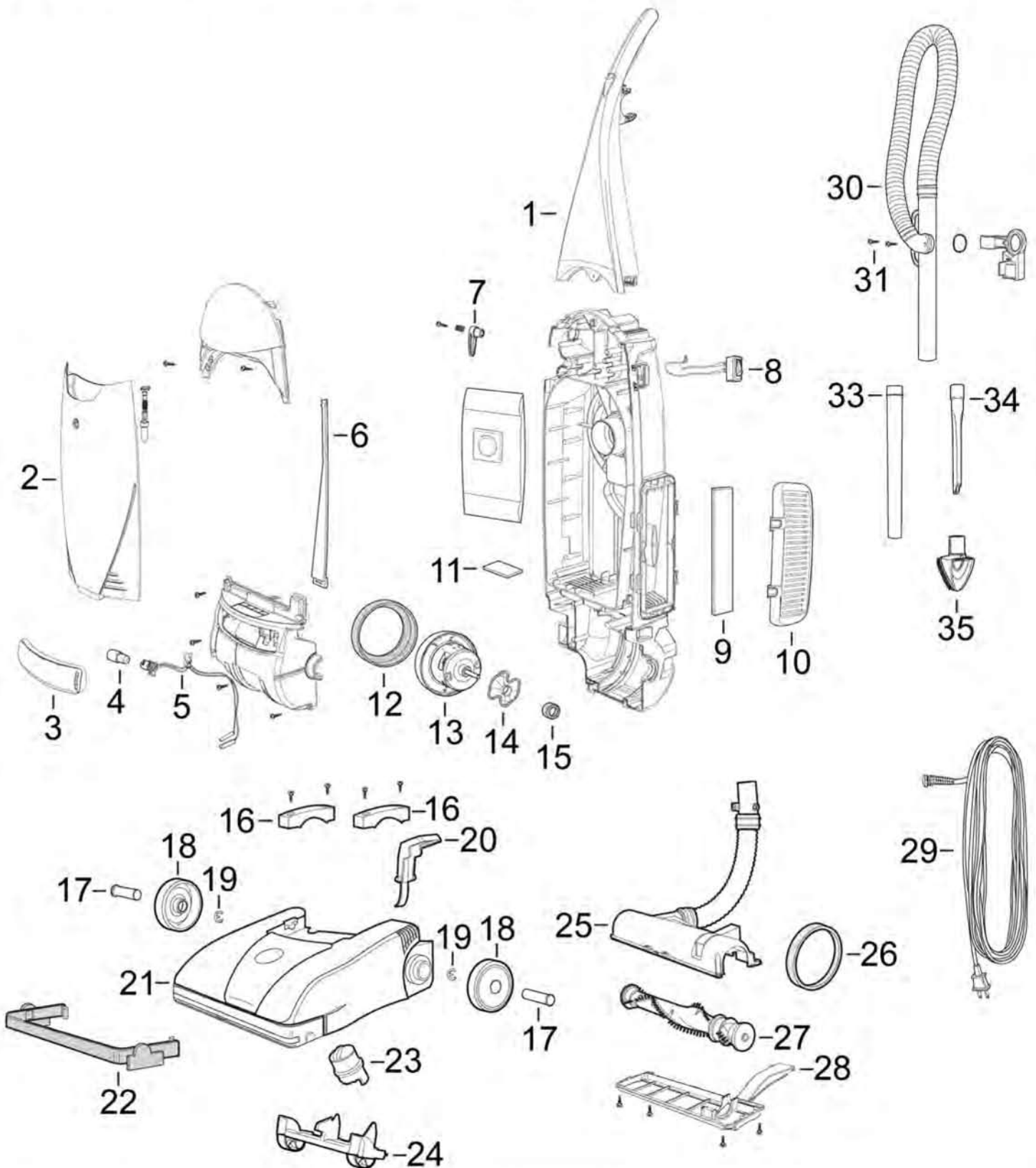


# Upright Vacuum

## Powerforce™ 3530, 3537, 46E5, 71Y7 Series



Issue: April 2008

©2008 BISSELL Homecare, Inc.

**Upright Vacuum**

Powerforce™ 3530, 3537, 46E5, 71Y7 Series

KEY	PART NO	DESCRIPTION	
1	B-203-5578	Handle Assembly - Black	
1	B-203-1169	Handle Assembly - Blue	
2	B-203-5579	Bag Door Assembly - Black - 3530	
2	B-203-5635	Bag Door Assembly - Burgundy - 3537, 46E5	
2	B-203-1171	Bag Door Assembly - Blue - 71Y7	
7	B-203-1018	Cord Release	
8	B-203-1035	Switch	
9	B-203-1009	Post Motor Filter	
10	B-203-1088	Filter Grille- Post	
11	B-203-5576	Pre Motor Filter	
12	B-203-1107	Motor Cushion - Large - 12 Amp	
13	B-203-5627	Vacuum Motor - 12 Amp	
13	B-203-2439	Vacuum Motor - 10 Amp	
14	2031101 NLA	Motor Support - 12 Amp	
15	2031102 NLA	Motor Cushion - Small - 12 Amp	
16	B-203-1112	Clamp Pivot	
17	B-203-2547	Axle	
18	B-203-2070	Rear Wheel	
19	B-203-2548	E-ring	
20	B-203-1044	Lever Release	
21	B-203-5582	Foot Cover - Black	
22	B-203-1114	Bumper	
23	B-203-1095	Height Adjustment Knob	
24	B-203-1330	Front Wheel Assembly	
25	B-203-1110	Case Drum Assembly	
26	B-203-1093	Belt	
27	B-203-5624	Brush	
28	B-203-5583	Access Plate - 3530, 3537, 46E5	
28	B-203-1168	Access Plate - 71Y7	
29	B-203-1105	Cord	
30	B-203-1097	Hose Assembly	
31	B-203-1003	Screw for Handle Assembly	
33	B-203-1068	Extension Wand	
34	B-203-1056	Crevice Tool	
35	B-203-1059	Combo Tool Upholstery/Dusting	3530, 3537 = 12 Amp 46E5 = 10 Amp 71Y7 = 10 Amp
XX	B-32120	Style 7 Bag (3-pack)	
XX	1104026	User's Guide - 3530	
XX	1104067	User's Guide - 46E5	