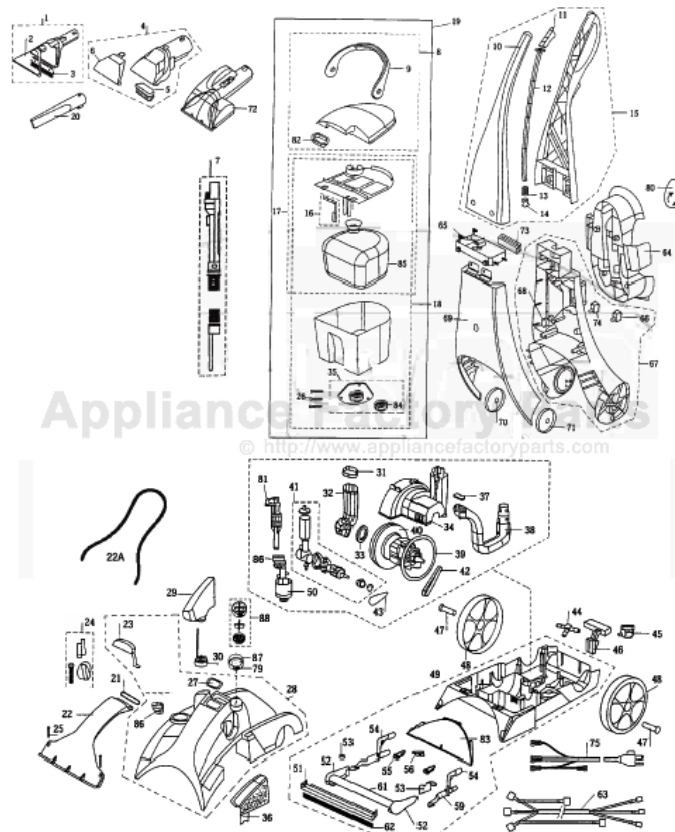


This Owner's Manual is provided and hosted by Appliance Factory Parts.



Bissell 8905 Owner's Manual

[Shop genuine replacement parts for Bissell 8905](#)



[Find Your Bissell Vacuum Cleaner Parts - Select From 377 Models](#)

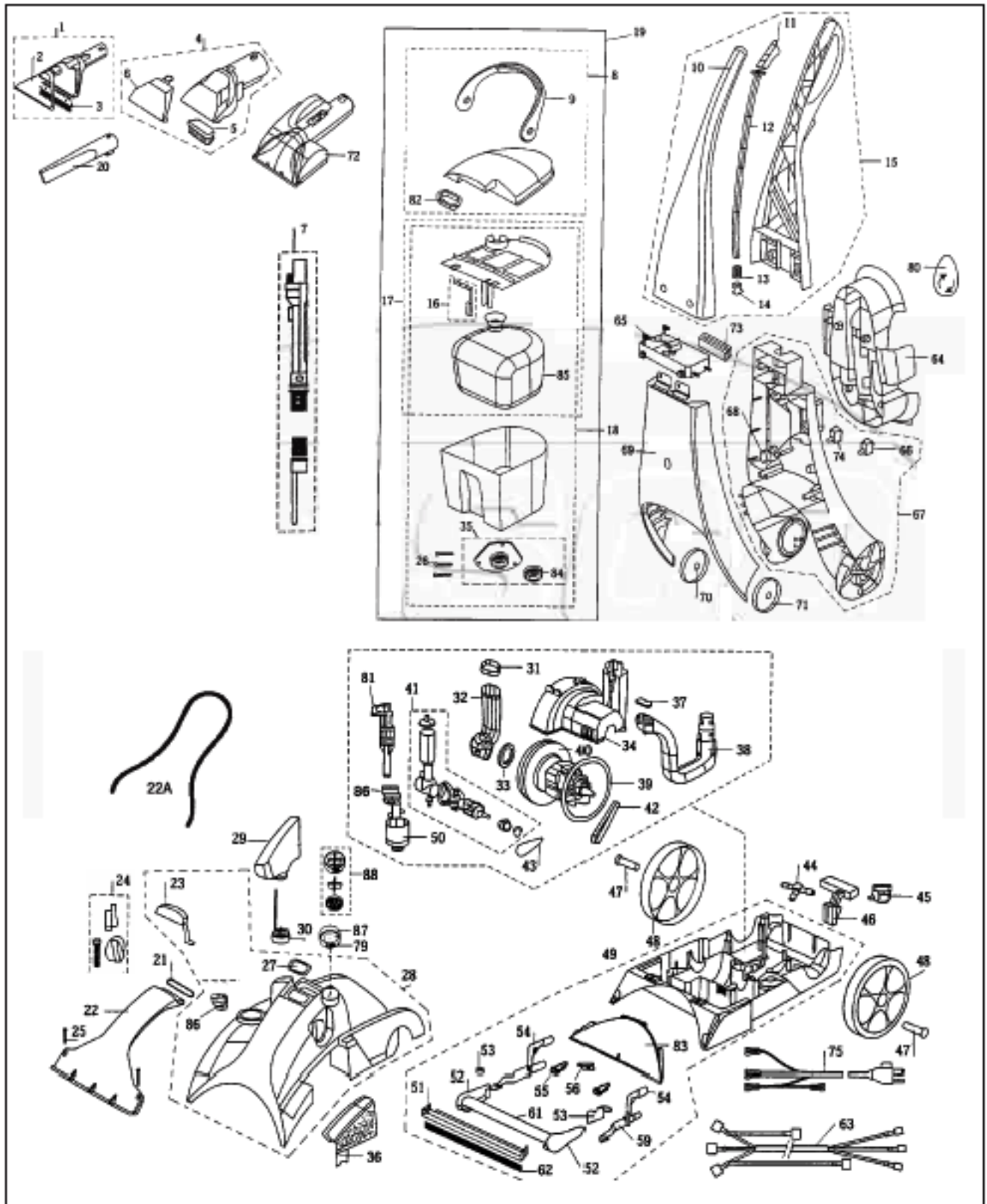
----- Manual continues below part list -----

Available Replacement Parts for Bissell 8905

| | |
|----------------------------|-------------------------------|
| B-010-0620 | BELT BISSELL PUMP BELT 1 PACK |
| B-603-0983 | BRUSH/ NOZZLE HEAD. |
| B-010-0621 | REPLACEMENT BRUSH BELT |
| br-1075 | Geared brushroll belt . |

BISSELL Original & Replacement

PROHEAT CLEARVIEW POWERSTEAMER Models 1699, 1699-1, 1699-5, 1699-8, 1699-A, 1699-B, 1699-F, 1699-P, 7901, 7920, 8905, 8910



Original & Replacement **BISSELL**

PROHEAT CLEARVIEW POWERSTEAMER Models 1699, 1699-1, 1699-5, 1699-8, 1699-A, 1699-B, 1699-F, 1699-P, 7901, 7920, 8905, 8910

| KEY | PART NO. | DESCRIPTION | KEY | PART NO. | DESCRIPTION |
|-----|------------|--|-----|------------|--|
| 1 | B-603-0983 | Upholstery Nozzle Ass'y | 41 | B-010-7185 | Pump Ass'y |
| 2 | NLA | Spray Window 4" (Order B-010-9201) | 42 | B-010-0620 | Pump Belt |
| 3 | NLA | Brush Insert 4" | 42 | BR-1020 | Pump Belt |
| 4 | B-015-9155 | Tuff Stain Tool 3" | 43 | B-010-0621 | Geared Brushroll Belt |
| 5 | B-214-9155 | Brush Insert 3" | 43 | BR-1075 | Geared Brushroll Belt |
| 6 | NLA | Spray Window 3 (Order B-015-9155) | 44 | B-015-8001 | Barbed "T" Connector |
| 7 | B-010-9210 | Hose Ass'y (Inc. Key #38) | 45 | B-014-0710 | Autoload Receiver |
| 8 | B-015-4439 | Top Ass'y With Handle | 46 | B-013-5580 | Handle Release Pedal |
| 9 | B-603-4435 | Tank Handle | 47 | B-010-0170 | Axle |
| 10 | B-013-4407 | Handle Front 1699-1/B | 48 | B-013-9754 | Wheel |
| 10 | B-014-4401 | Handle Front 1699/5/8/A, 8905 | 49 | B-014-0449 | Base Ass'y |
| 10 | NLA | Handle Front 1699-P (Order B-014-4401) | 50 | B-010-0106 | Automix Ass'y Less Knob |
| 10 | NLA | Handle Front 1699-F (Order B-014-4401) | 51 | B-014-9131 | Bare Floor Attachment |
| 10 | NLA | Handle Front 7901 | 52 | NLA | Left & Right Pivot Arm (Order B-210-1128) |
| 10 | B-014-4475 | Handle Front 7920 | 53 | B-555-9113 | Left & Right Pivot Arm Retainers |
| 11 | B-213-9168 | Handle Trigger (All Models Except 8910) | 54 | B-200-0010 | Left & Right Elevator Lever |
| 11 | B-213-9169 | Handle Trigger 8910 | 55 | B-010-6105 | Spray Tip |
| 12 | B-013-7511 | Control Rod & Spring Ass'y | 56 | B-010-2602 | Regular "T" Connector |
| 13 | B-210-8422 | Spring | 59 | NLA | Elevator Lever Spring (Order B-200-0010) |
| 14 | B-010-9592 | Valve Ass'y | 61 | B-210-1128 | Brushroll Ass'y With Pivot Arms |
| 15 | NLA | Handle Ass'y 1699-1/B | 62 | NLA | Bare Floor Squeegee |
| 15 | B-214-4406 | Handle Ass'y 1699/5/8/A, 8905, 8910 | 63 | NLA | Wiring Harness |
| 15 | NLA | Handle Ass'y 1699-P (Order B-214-4406) | 64 | B-013-6750 | Tool Storage Caddy Ass'y |
| 15 | NLA | Handle Ass'y 1699-F (Order B-214-4406) | 65 | B-010-4503 | Heater 700 Watt 5 3/10" x 2 3/5" |
| 15 | NLA | Handle Ass'y 7901 | 65 | NLA | Heater 500 Watt 6 1/2" x 3" |
| 15 | B-014-4503 | Handle Ass'y 7920 | 66 | B-010-8827 | Power Switch |
| 16 | B-014-0325 | Float Ass'y | 67 | NLA | Main Body Ass'y 1699-1/B |
| 17 | B-013-0212 | Tank Baffle & Bladder Ass'y | 67 | NLA | Main Body Ass'y 1699/5/8/A, 8905, 8910 |
| 18 | B-015-9041 | Tank & Bladder Ass'y | 67 | B-014-4307 | Main Body Ass'y 1699-P |
| 19 | B-015-9043 | Tank & Lid Ass'y | 67 | NLA | Main Body Ass'y 1699-F |
| 20 | B-010-9148 | Crevice Tool | 67 | NLA | Main Body Ass'y 7901 |
| 21 | B-010-4052 | Oval Window Seal | 67 | B-014-4301 | Main Body Ass'y 7920 |
| 22 | B-014-9863 | Base Window | 68 | B-010-5601 | Heater Light Ass'y |
| 22A | B-210-3418 | Base Window Gasket | 69 | NLA | Panel Ass'y 1699-1/B (Order B-014-4404) |
| 23 | B-013-6986 | Diverter Valve | 69 | B-014-4404 | Panel Ass'y 1699/5/8/A, 8905, 8910 |
| 24 | B-014-5170 | Diverter Knob Ass'y (All Models Except 8910) | 69 | NLA | Panel Ass'y 1699-P (Order B-014-4404) |
| 24 | B-214-5172 | Diverter Knob Ass'y 8910 | 69 | NLA | Panel Ass'y 1699-F (Order B-014-4404) |
| 25 | B-880-7030 | Screw | 69 | B-014-4355 | Panel Ass'y 7901 |
| 26 | B-880-7075 | Screw | 69 | B-014-4350 | Panel Ass'y 7920 |
| 27 | B-010-4054 | Diverter Gasket | 70 | B-010-6215 | E-Clip |
| 28 | NLA | Housing Ass'y 1699-1/B | 71 | NLA | Wheel Bushing |
| 28 | B-214-5010 | Housing Ass'y 1699/5/8/A, 8905, 8910 | 72 | B-010-1183 | Turbo Brush Ass'y |
| 28 | NLA | Housing Ass'y 1699-P (Order B-214-5010) | 73 | B-010-8550 | Rubber Block |
| 28 | NLA | Housing Ass'y 1699-F (Order B-214-5010) | 74 | B-710-8617 | Heater Switch |
| 28 | B-014-4922 | Housing Ass'y 7901 | | | 1699/5/8/A/B/F, 7901, 7920, 8905, 8910 |
| 28 | NLA | Housing Ass'y 7920 (Order B-214-5010) | 74 | NLA | Lighted Heater Switch 1699-1/P |
| 29 | B-010-1785 | Shampoo Bottle Ass'y (Inc. Key #30) | 75 | B-010-2850 | Power Cord 35' 1699-1/P, 7901, 7920 |
| 30 | B-010-1795 | Cap & Insert Ass'y | 79 | B-010-0489 | Flow Indicator Base (Inc. Key #87) |
| 31 | B-010-4050 | Duct Gasket | 80 | B-013-3722 | Cord Hook |
| 32 | NLA | Short Air Duct | 81 | B-010-8722 | Automix Piston |
| 33 | B-010-4051 | Motor Intake Gasket | 82 | B-015-3500 | Lint Screen |
| 34 | B-013-2984 | Motor Cover | 83 | B-014-9867 | Clearview Window With Tab Before Ser. # 02120000 |
| 35 | B-010-7041 | Auto Load Ass'y (Inc. Key #4) | 83 | B-214-9851 | Clearview Window Without Tab After Ser. # 02120000 |
| 36 | B-213-2991 | Belt Cover 1699/B | 84 | B-010-6241 | Tank Seal |
| 36 | B-013-2993 | Belt Cover 1699/5/8/A, 8905, 8910 | 85 | B-010-0315 | Bladder |
| 36 | B-013-2980 | Belt Cover 1699-P | 86 | B-010-5108 | Automix Knob |
| 36 | B-013-2952 | Belt Cover 1699-F | 87 | NLA | Flow Indicator O-Ring (Order B-010-0489) |
| 36 | B-013-2982 | Belt Cover 7901 | 88 | B-555-6503 | Flow Indicator Ass'y |
| 36 | B-013-2935 | Belt Cover 7920 | | | |
| 37 | B-010-4053 | Air Duct O-Ring | | | |
| 38 | NLA | Long Air Duct | | | |
| 39 | B-010-4056 | Motor Gasket | | | |
| 40 | B-010-5970 | Motor Ass'y | | | |

NLA = NO LONGER AVAILABLE