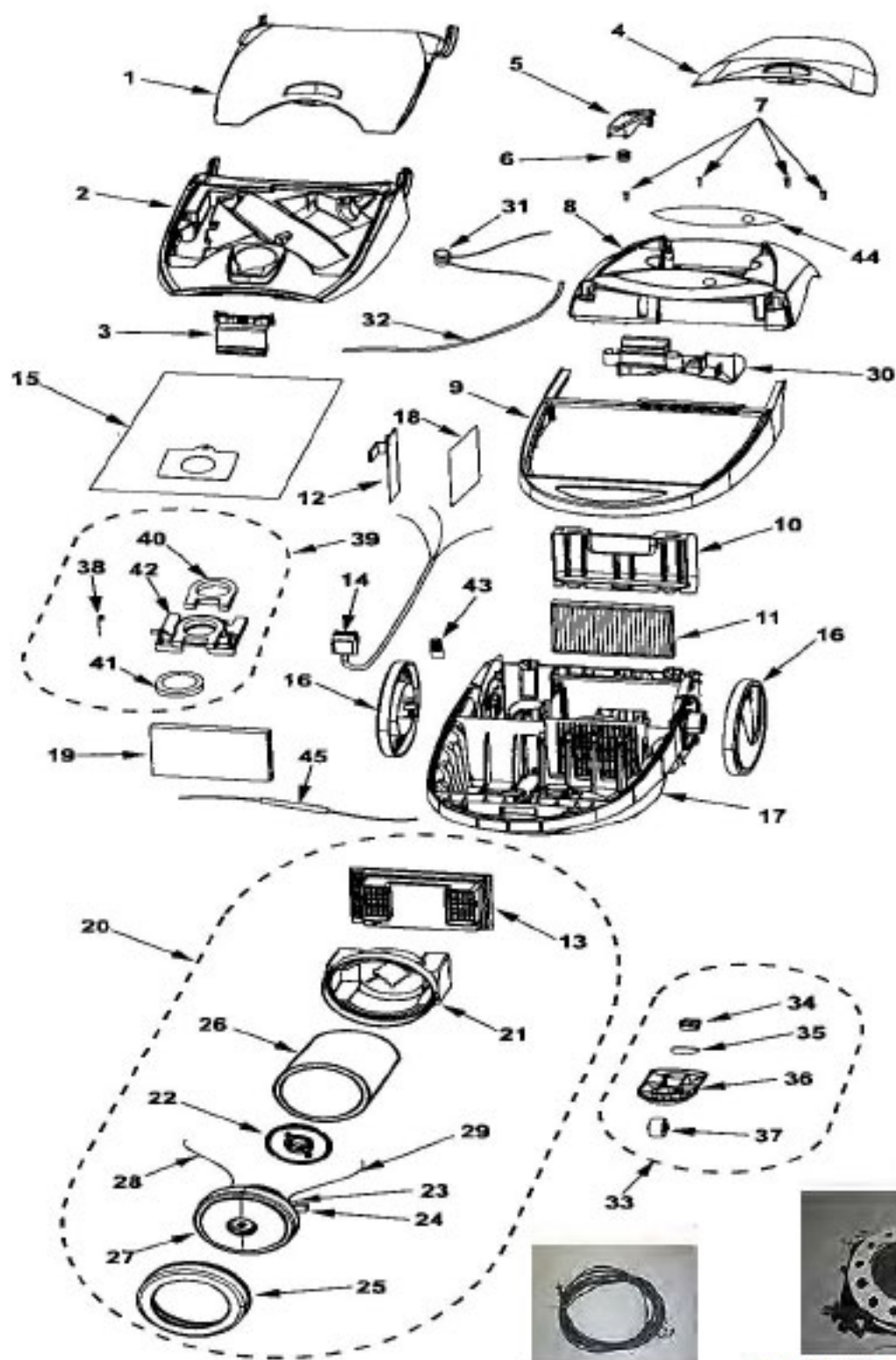


# KENMORE Original & Replacement

CANISTER VACUUM Model 116.25914507



Cord for Reel KE-4370895

KE-8195114 Cord Reel Ass'y

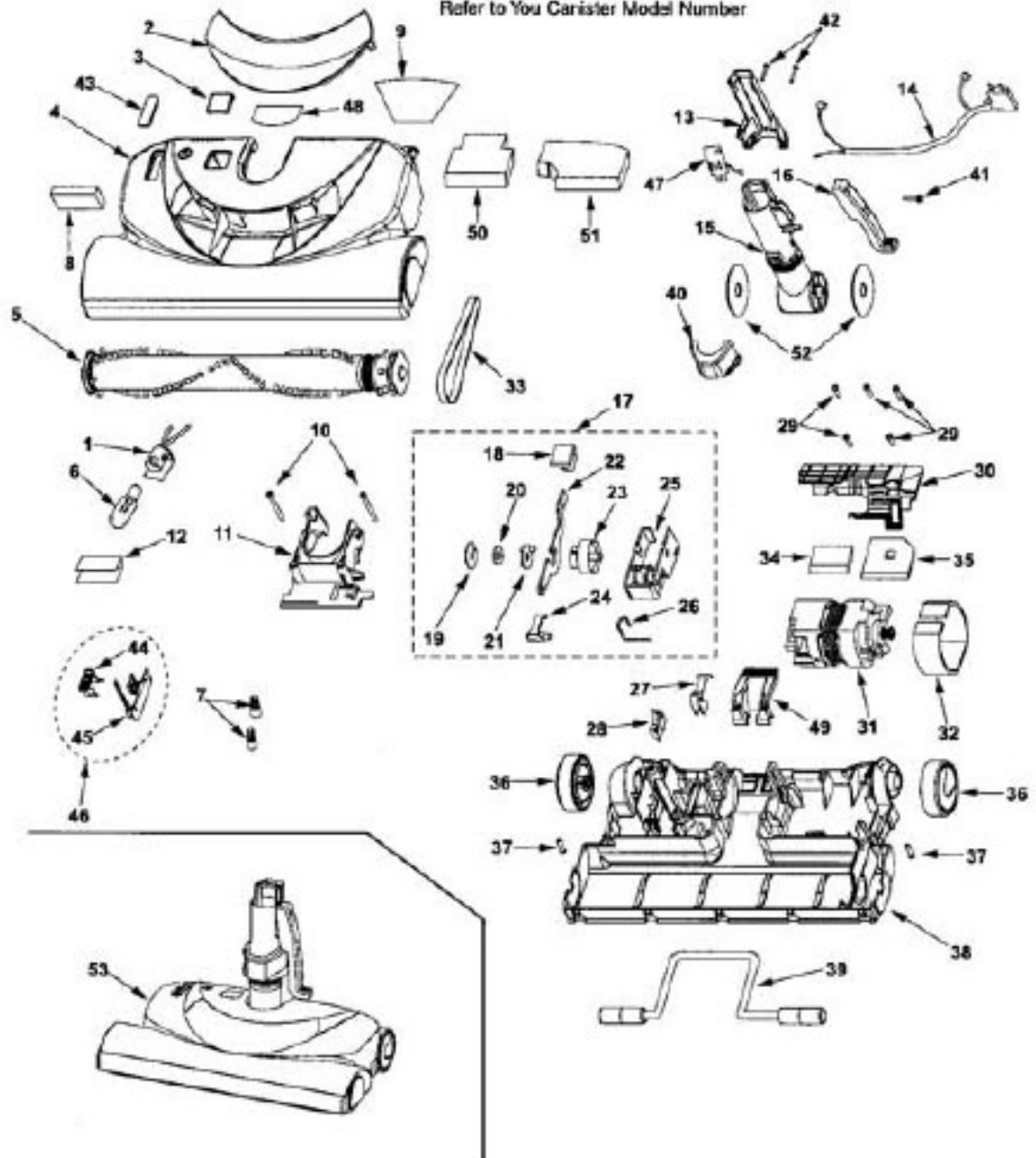
# Original & Replacement **KENMORE** CANISTER VACUUM Model 116.25914507

| KEY | PART NO.        | DESCRIPTION                                 |
|-----|-----------------|---|
| 1   | KE-KC74PCPNZWUH | Tool storage cover ,deco                    |
| 2   | KE-KC80KCPMZWUH | Dust cover, deco                            |
| 3   | KE-KC01DBZTV07  | Latch                                       |
| 4   | KE-KC74PCPMZWUH | Tool storage cover                          |
| 5   | KE-KC46NBZTV06  | Cord rewind button                          |
| 6   | KE-KS744258     | Spring, cord rewind                         |
| 7   | KE-4368563      | Screw, motor, case mounting                 |
| 8   | KE-KC48HBZTZWUH | Canopy                                      |
| 9   | KE-KC31ABZTV06  | Furniture guard                             |
| 10  | KE-KC41KBZTV06  | Filter cover                                |
| 11  | KER-1800        | Exhaust filter (hepa) sears no. 20-86889    |
| 12  | KE-KC86WBZRZ000 | P.c.b. assembly                             |
| 13  | KE-KC32FBZT1V07 | Filter supporter                            |
| 14  | KE-KC90EBZTV06  | Receptacle assembly, 3-wire                 |
| 15  | KER-14551A      | Dust bag (hepa) sears no. 20-50557          |
| 16  | KE-KC99CBZNV07  | Wheel                                       |
| 17  | KE-KC03ABZT4V07 | Lower body                                  |
| 18  | KE-KC41FBZPZ000 | Cooling guide                               |
| 19  | KE-8175084      | Filter, motor safety sears no. 20-86883     |
| 20  | KE-KC90FBZTV07  | Motor assembly                              |
| 21  | KE-KC10GBZTV07  | Motor enclosures                            |
| 22  | KE-KC03FBZTZ000 | Motor support rubber, rear                  |
| 23  | NLA             |   |
| 24  | KE-4370655      | Brush, motor (2)                            |
| 25  | KE-KC02FCPSZ000 | Motor support rubber, front                 |
| 26  | KE-4370683      | Suppressor, noise                           |
| 27  | KE-KC92FBEMZ000 | Fan motor ,unit                             |
| 28  | KE-KC38GATMZ000 | Lead wire, black                            |
| 29  | KE-KC43GAUYZ000 | Lead wire assembly                          |
| 30  | KE-KC02ABZTV06  | Upper body                                  |
| 31  | KE-4370741      | Indicator, light switch (includes illus. 9) |
| 32  | KE-4370677      | Adapter, tube vac switch                    |
| 33  | KE-KC95CBZTV06  | Caster unit                                 |
| 34  | KE-KC12CBZTZ000 | Counter weight                              |
| 35  | KE-KC41ABZTV00  | Rubber cushion                              |
| 36  | KE-KC34CBZTV06  | Caster supporter                            |
| 37  | KE-4370691      | Caster. wheel                               |
| 38  | KE-KS706024     | Spring, bag mount                           |
| 39  | KE-KC11KAKTZR01 | Bag supporter assembly                      |
| 40  | KE-KC03LAKTZ000 | Gasket, bag mount                           |
| 41  | KE-4370688      | Packing , inlet                             |
| 42  | KE-KC10KAKTZR01 | Bag mount                                   |
| 43  | SS-3270         | Wire Nut                                    |
| 44  | KE-KC21TBZTZ000 | Ornamental plate                            |
| 45  | KE-4370978      | Lead wire assembly                          |

# KENMORE Original & Replacement

CANISTER VACUUM Model 116.25914507

Power-Mate® Parts List is Combined  
with the Canister Parts List  
Refer to Your Canister Model Number

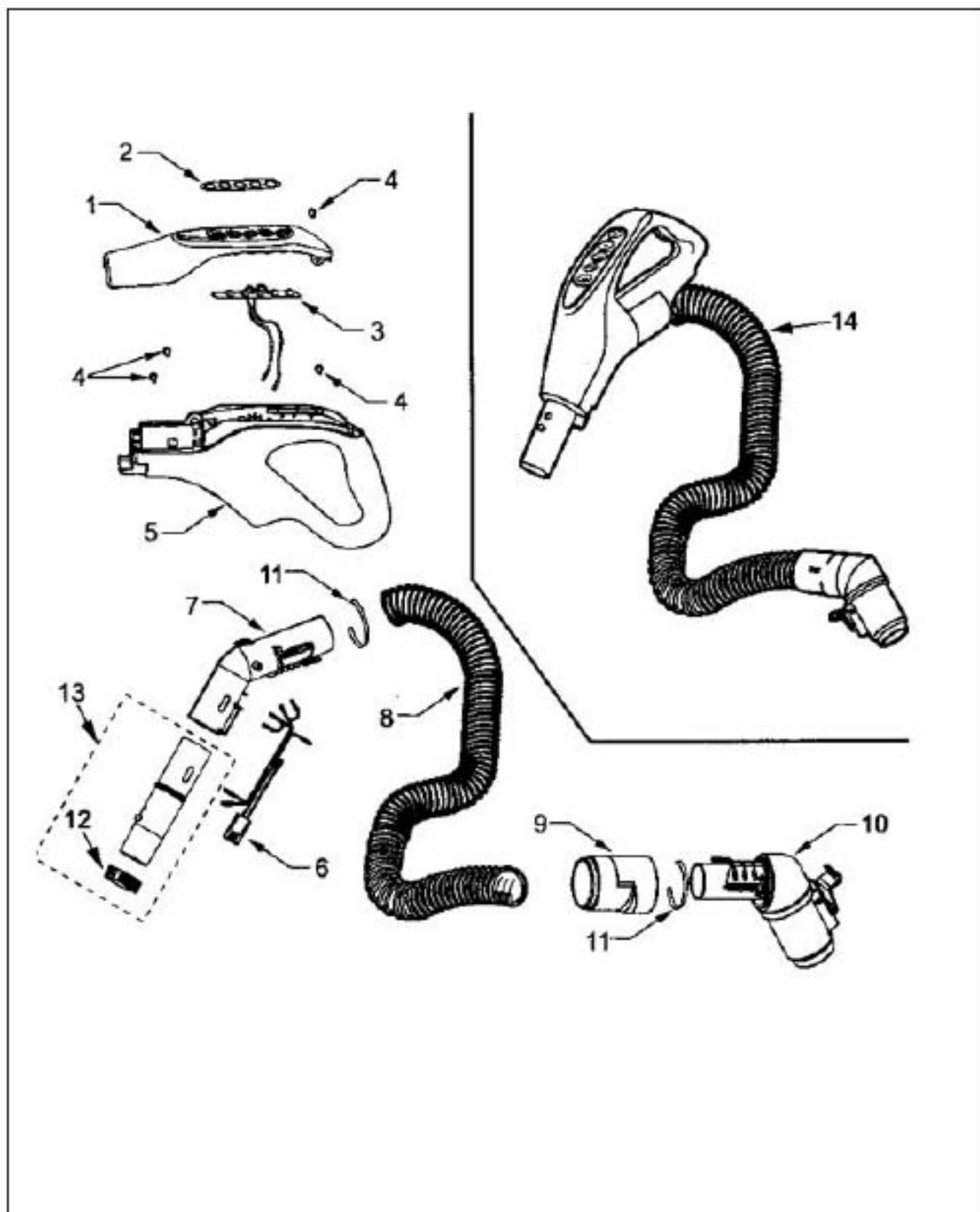


# Original & Replacement **KENMORE** CANISTER VACUUM Model 116.25914507

| KEY | PART NO.        | DESCRIPTION                       |
|-----|-----------------|-----------------------------------|
| 1   | KE-4370721      | Socket, bulb                      |
| 2   | KE-KC21HBZTZ000 | Light lens                        |
| 3   | KE-4369687      | Window, cover (height adjustment) |
| 4   | KE-KC99RBZRZMUB | Nozzle housing                    |
| 5   | KE-8192535      | Agitator unit (as of 5/02/08)     |
| 6   | FA-3515         | Bulb                              |
| 7   | SS-3270         | Connector                         |
| 8   | KE-4370713      | Filter, intake/ exhaust (2)       |
| 9   | KE-KC84HBZTZ000 | Reflector, nozzle                 |
| 10  | KE-KS881550     | Screw                             |
| 11  | KE-KC25QAKTZV07 | Swivel cap                        |
| 12  | KE-KC22HBZTZ000 | Window reflector                  |
| 13  | KE-4370717      | Cover, rear                       |
| 14  | KE-KC87VAXEZV06 | Lead wire "a"                     |
| 15  | KE-KC92PCREZ000 | Swivel                            |
| 16  | KE-8195108      | Pedal, quick release              |
| 17  | KE-KC83MAKSZV06 | Indicator block assembly          |
| 18  | KE-4370577      | Pad, foot pedal                   |
| 19  | KE-KS722909     | Washer, thrust                    |
| 20  | KE-KS725635     | Washer                            |
| 21  | KE-KS722955     | Catch indexing                    |
| 22  | KE-4370720      | Indicator, level                  |
| 23  | KE-KS747291     | Cam, indicator                    |
| 24  | KE-KS742016     | Ratchet catch                     |
| 25  | KE-8191506      | Indicator block                   |
| 26  | KE-KS725775     | Spring assist                     |
| 27  | KE-4370726      | Lifter                            |
| 28  | KE-KC76FAXEZ000 | Overload protector                |
| 29  | KE-KS881297     | Screw                             |
| 30  | KE-KC26FCPSZ000 | Motor cap                         |
| 31  | KE-KC90FCBJZ000 | Motor                             |
| 32  | KE-KS747156     | Motor gasket                      |
| 33  | <b>KER-1080</b> | Belt sears no.20-5218             |
| 34  | KE-KC75ACPSZ000 | Packing motor - front             |
| 35  | KE-KC13BCPSZ000 | Packing motor - rear              |
| 36  | KE-KC99CBZTZV07 | Wheels                            |
| 37  | KE-4368563      | Screw, motor, case mounting       |
| 38  | KE-KC03RBZTZV07 | Lower plate                       |
| 39  | KE-KS744029     | Front axle assembly               |
| 40  | KE-4370967      | Front cover                       |
| 41  | KE-4370280      | Screw, motor case mounting        |
| 42  | KE-4368551      | Screw, 8-24 x 1 (2)               |
| 43  | KE-4369981      | Window, dirt sensor               |
| 44  | KE-KC23KBZTZU00 | P.c.b. supporter                  |
| 45  | KE-KC87GBZR1000 | P.c.b dirt sensor                 |
| 46  | KE-KC87GBZR2000 | Dirt sensor unit                  |
| 47  | KE-4369985      | Pcb "b" unit                      |
| 48  | KE-KC84HCPSZ000 | Reflector                         |
| 49  | KE-KC47AGJ3R01  | Handle release pedal              |
| 50  | KE-KC39ACPSZ000 | Body packing right nozzle         |
| 51  | KE-KC40ACPSZ000 | Body packing left nozzle          |
| 52  | KE-KS742019     | Swivel seat                       |
| 53  | KE-KC50XBZRZU01 | Powermate Ass'y Black             |

# KENMORE Original & Replacement

CANISTER VACUUM Model 116.25914507

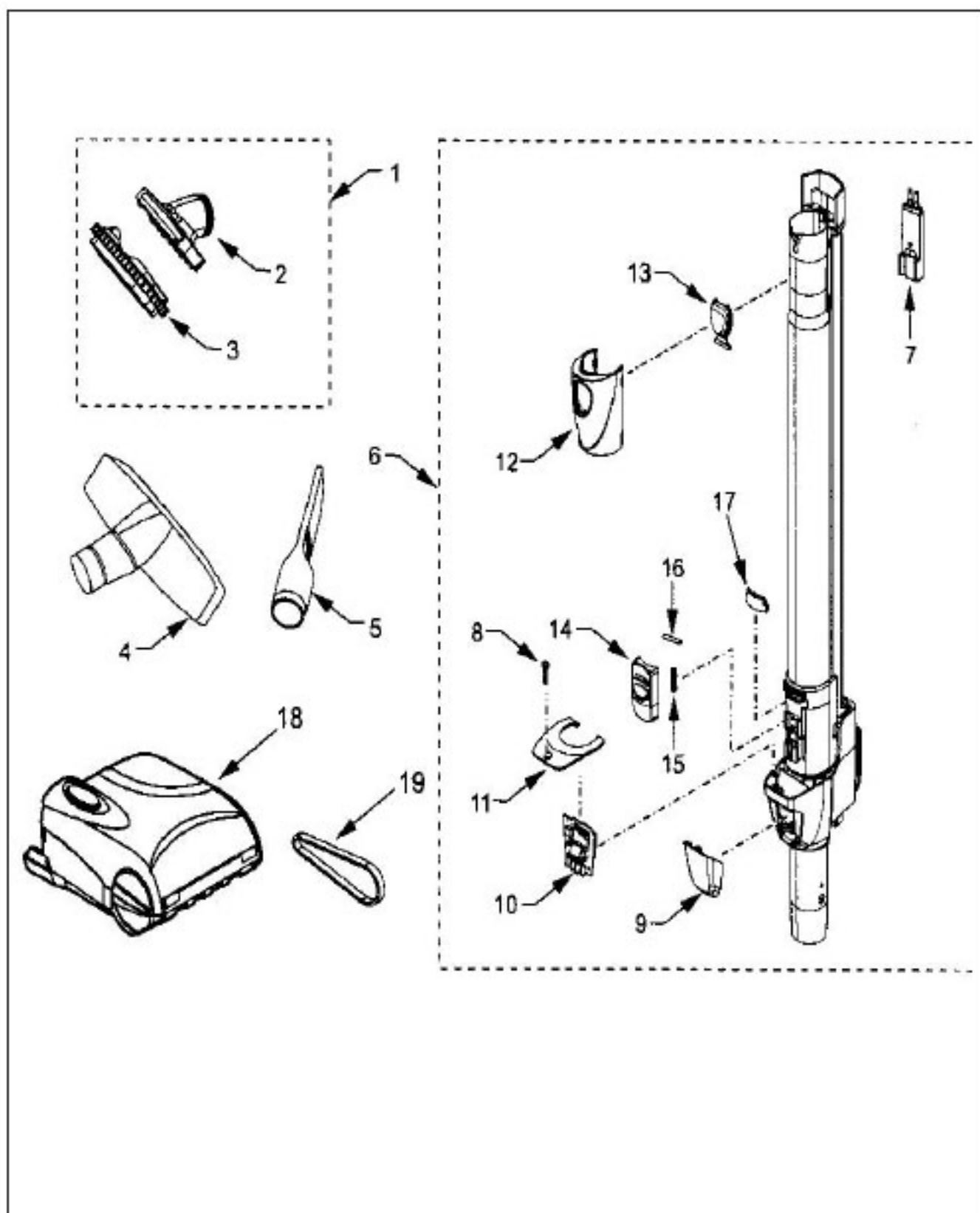


Original & Replacement **KENMORE**  
CANISTER VACUUM Model 116.25914507

| <u>KEY</u> | <u>PART NO.</u> | <u>DESCRIPTION</u>       |
|------------|-----------------|--------------------------|
| 1          | KE-KC88GBZPV07  | Switch case              |
| 2          | KE-KC31TBZPV00  | Electronic label         |
| 3          | KE-KC87GBZNV00  | P.c.b. assembly          |
| 4          | KE-4369085      | Screw, knocking cam      |
| 5          | KE-KC93BBZTV08  | Handle assembly          |
| 6          | KE-KC37GBZPV08  | Wire harness             |
| 7          | KE-KC30PATM1V08 | Curved wand              |
| 8          | KE-4370580      | Hose, 3-wire             |
| 9          | KE-4370325      | Adapter, hose connection |
| 10         | KE-KC92PBZTV08  | Connection pipe          |
| 11         | KE-KC04RATMZ00  | Hose packing             |
| 12         | KE-4370593      | Control, suction         |
| 13         | KE-KC58PCPSZV08 | Stub tube assembly       |
| 14         | KE-KC94PCPSZV07 | Hose assembly            |

# KENMORE Original & Replacement

CANISTER VACUUM Model 116.25914507



Original & Replacement **KENMORE**  
CANISTER VACUUM Model 116.25914507

| <u>KEY</u> | <u>PART NO.</u> | <u>DESCRIPTION</u>                 |
|------------|-----------------|------------------------------------|
| 1          | KE-KC63RBZTZV07 | Combination brush                  |
| 2          | KE-KC62RBZTZV07 | Upholstery nozzle                  |
| 3          | KE-KC94QBZTZV07 | Dusting brush                      |
| 4          | KE-4370614      | Brush, floor                       |
| 5          | KE-8175100      | Tool, crevice                      |
| 6          | KE-KC99PCPSZV06 | Extension wand                     |
| 7          | KE-8191782      | Cover, fuse wand                   |
| 8          | KE-4370790      | Screw, handle cap mounting         |
| 9          | KE-KC21HBZPZ000 | Window (led)                       |
| 10         | KE-KC47VBZPZ000 | P.c.b. assembly - light            |
| 11         | KE-KC38HBZPZV06 | Cover (led)                        |
| 12         | KE-KC70QCPMZV06 | Quick release upper                |
| 13         | KE-KC13DCPMZV06 | Quick release button               |
| 14         | KE-KC57HASMZV07 | Sliding knob                       |
| 15         | KE-KC65DASMZ000 | Spring                             |
| 16         | KE-KC27UASMZ000 | Sliding pin                        |
| 17         | KE-KC06QASMZV06 | Pipe cover                         |
| 18         | KE-52040        | Power-mate jr. (complete assembly) |
| 19         | KE-8192011      | Belt                               |