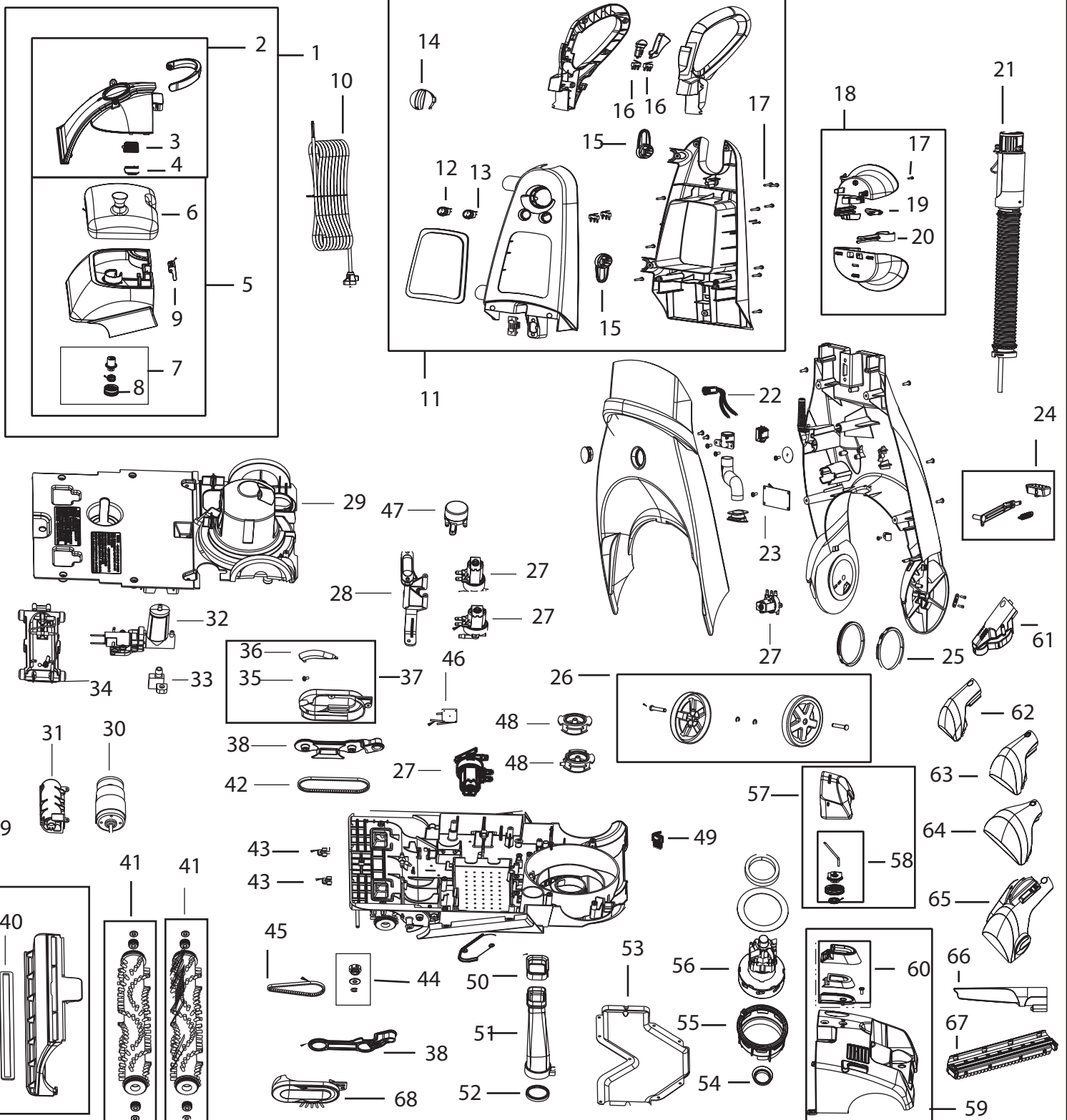




ProHeat 2X®

9500, 66Q4, 73A5 Series



Bissell Homecare, Inc. (U.S.)
 Phone: 1-800-457-1509
 Fax: 1-800-517-9535
 partner.bissell.com

Bissell Canada
 Phone: 1-800-465-1283 ext. #1528
 Fax: 905-353-0851
 Email: Canada.custhelp@bissell.com

Issued: March 2007

Revised: April 2009

© 2007 BISSELL Homecare, Inc.

ProHeat® 2X Cleanshot™ & Healthy Home™
 9500, 66Q4, 73A5 Series



KEY	PART NO	DESCRIPTION	KEY	PART NO	DESCRIPTION
1	2036961	Tank Assembly - Red Berends	43	2036728	Spray Tips
2	2036660	Tank Lid - Black Infusion	44	2036820	Gear, Washer, E-Ring - Brush Motor
3	2036680	Tank Filter	45	2036688	Belt - Left Side
4	2036845	Float Door	46	2036764	Bridge Rectifier
5	2036962	Tank Bottom - Red Berends	47	2036969	Flow Indicator Assembly
5	2037335	Tank Bottom - Ocean Mist	48	2036758	Autoload Receiver
5	2037355	Tank Bottom - Dark Aloeminiium	49	2036759	Microswitch - Brush
6	2036878	Bladder	50	2036693	Gasket - Short Air Duct - Upper
7	2036675	Cap & Insert Assembly - Water Tank	51	2036814	Short Air Duct
8	2036679	Autoload Gasket	52	2036815	Gasket - Short Air Duct - Lower
9	2036681	Tank Latch	53	2036971	Dry Aire Piece
10	2102883	Cord	54	2036816	Gasket - Lower Motor
11	2036963	Upper Handle - Red Berends	55	2036865	Gasket - Motor
11	2037333	Upper Handle - Ocean Mist	56	2036731	Vacuum Motor
11	2037353	Upper Handle - Dark Aloeminiium	57	2036676	Formula Tank Assembly
12	2036719	Switch - On/Off	58	2036677	Cap & Insert - Formula Tank
13	2036718	Switch - Heater	59	2036964	Rear Cover - Red Berends
14	2036810	Knob - Custom Clean	59	2037336	Rear Cover - Ocean Mist
15	2036966	Cord Wrap - Red Berends	59	2037356	Rear Cover - Dark Aloeminiium
16	2036760	Microswitch - Trigger/Custom Clean	60	2036965	Rear Cover Gasket - Red Berends
17	2036803	Screw Kit - Handle - (3) m4 x 18, (1) m4 x 13	61	2036691	Scotchgard Applicator
18	2036690	Hose Rack Assembly	62	2036651	3" Tough Stain Tool
19	2036689	Hose Secure Latch	63	2036653	4" Upholstery Tool
20	2036696	Crevice Tool Holder - Black	64	2036654	6" Stair Tool
21	2036879	Hose Assembly	65	2036652	Turbobrush
22	2036768	Indicator Light - Heater	66	2036655	Crevice Tool
23	2036805	Circuit Board	67	2036692	Bare Floor Tool
24	2036724	Detent Lever	68	2036685	End Cap W/Edge Brushes
25	2036763	Handle Bushing (1)			
26	2036722	Wheel Kit - (2) Wheel, (2) Axles, (2) E-Rings	xx	2036811	Screw Kit - End Cap & Brush Arm
27	2036761	Solenoid Valve			(1) M4 x 18, (1) M4 x 13, (1) M4 x 12
28	2036767	Manifold - Electric Smartclean	xx	2036812	Screw Kit Miscellaneous
29	2036846	Access Cover			(4) M4 x 18, (2) M4 x 13, (4) M4 x 12, (2) M3 x 18
30	2036757	Brush Motor	xx	2037393	EPDM Tube - 6.5mm OD x 24"
31	2036821	Brush Motor Cover	xx	2036818	Silicon Tube - 7.9mm OD, 4.9 mm ID, x 320mm
32	2036717	Pump	xx	2036819	Urethane Tube - 9.0mm OD, 5.6mm ID, x 145 mm
33	2036822	Pump Cooling Duct	xx	3105892	User's Guide - 9500
34	2104513	Heater			
35	2036968	Cleanshot Spray Tip			
36	2036994	Cleanshot w/Spray Tip	Red Berends =	9500	
37	2036967	End Cap Assembly w/ Cleanshot Spray Tip	Ocean Mist =	66Q4, 66Q42	
38	2036802	Swivel Arms - Rt & Lt	Dark Aloeminiium =	73A5	
39	2036678	Front Nozzle			
40	2036695	Gasket - Front Nozzle			
41	2036686	Brush - 6 Row (1) w/Swivel Arms			
42	2036804	Belt - Right Side			

BISSELL Homecare, Inc. (U.S.)
 Phone: 1-800-457-1509
 Fax: 1-800-517-9535
 partner.bissell.com

Bissell Canada
 Phone: 1-800-465-1283 ext.#1528
 Fax: 905-353-0851
 Email: Canada.custhelp@bissell.com

Issued: March 2007
 Revised: April 2009
 © 2008 BISSELL Homecare Inc.