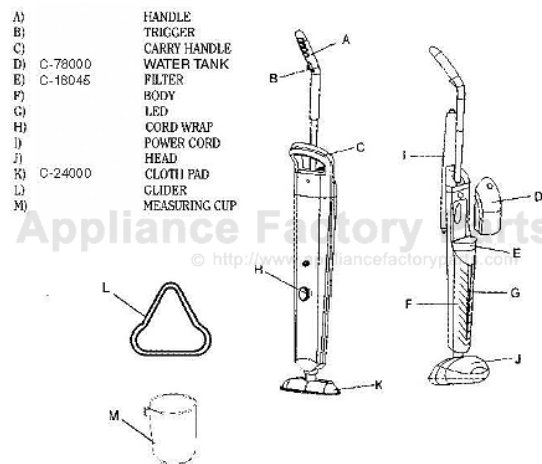


This Owner's Manual is provided and hosted by [Appliance Factory Parts](http://www.ApplianceFactoryParts.com).



# CIRRUS SM212B Owner's Manual

[Shop genuine replacement parts for CIRRUS SM212B](#)



[Find Your CIRRUS Vacuum Cleaner Parts - Select From 13 Models](#)

----- Manual continues below -----

# C-SM212B

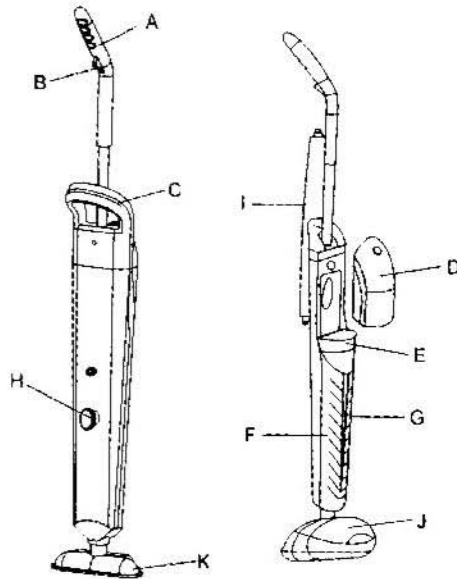
USER'S GUIDE

Steam mop

## KEY FEATURES OF THE STEAM MOP

KEY PART NO. DESCRIPTION

A)		HANDLE
B)		TRIGGER
C)		CARRY HANDLE
D)	C-78000	WATER TANK
E)	C-18045	FILTER
F)		BODY
G)		LED
H)		CORD WRAP
I)		POWER CORD
J)		HEAD
K)	C-24000	CLOTH PAD
L)		GLIDER
M)		MEASURING CUP



The following information is provided for service by a qualified electrician only:

Rated voltage:

110-120V, 60HZ, 1500W

220-230V, 50HZ, 1500W

This appliance must be grounded. Use only the proper type outlet when plugging in the appliance, do not attempt to override the ground wire feature.