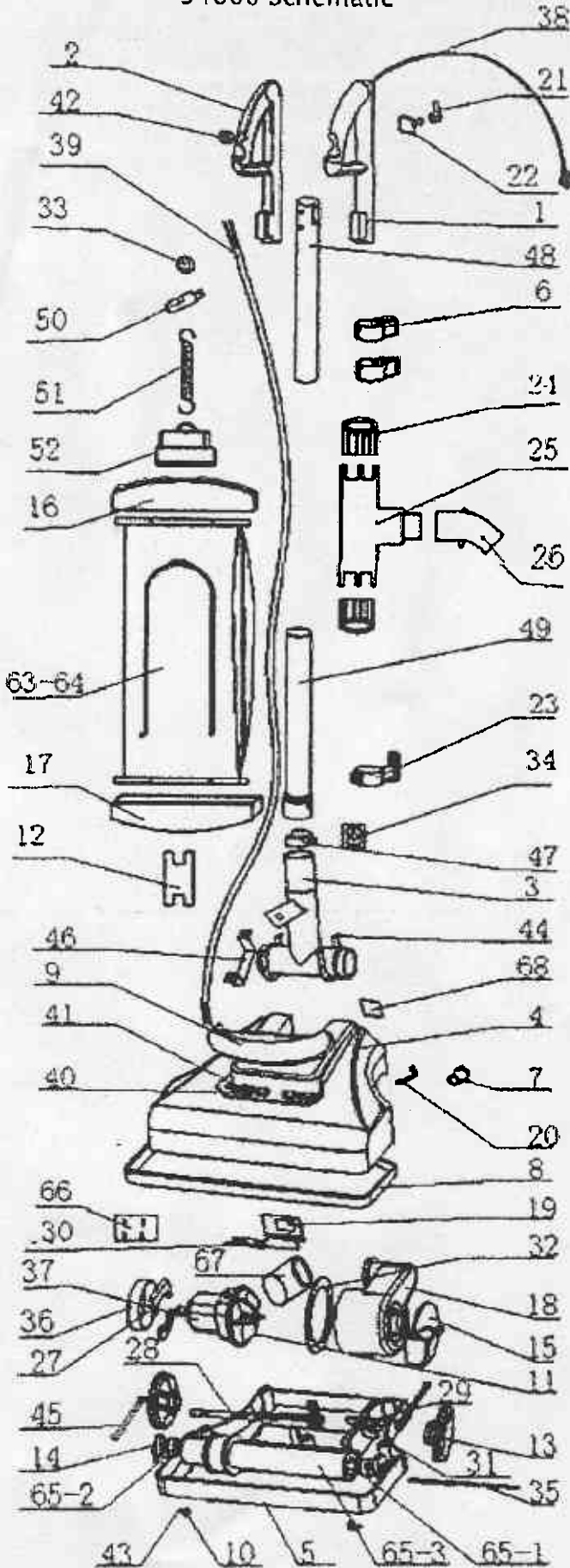


34600 Schematic



Parts List for #34600

No.	Part #	Description	
1	91660	left handle	1
2	91663	right handle	1
3	91615	wind path tie-in (elbow asbly) ✓	1
4	91620	Up-cover	1
5	91705	soleplate	1
6	91755	cord retainer clips	2
7	91625	cord jacket	1
8	91760	bumper guard	1
9	91745	lampshade	1
10	91630	front wheels	2
11	91700	impeller	1
12	91725	bag clips	1
13	91735	back wheels	2
14	91770	Brush Bracket	2
15	91710	gas take-out mouth	1
16	91635	threaded fastener	1
17	91650	bag nether-cover	1
18	91690	impeller-shroud	1
19	91655	flashboard	1
20	91665	maze press board	1
21	91715	swivel cord latch	1
22	91730	swivel cord latch seat	1
23	91623	nether pothook	1
24	91670	nut	2
25	91775	three wind path	1
26	91780	three wind path elbow	1
27	91627	motor seat	1
28	91628	airproof rubber A	1
29	91629	airproof rubber B	1
30	91631	flashboard airproof rubber	1
31	91731	soleplate airproof rubber	1
32	91732	impeller-shroud airproof rubber	1
33	91733	spring pothook airproof rubber	1
34	91734	spring flake airproof rubber	1
35	91634	dust bar	1
36	91610	belts	1
37	91680	Motor	1
38	91638	long cord	1

Parts List for #34600

No.	Part #	Description	
39	91639	short cord	1
40	91765	light bulb	2
41	91641	light seat	1
42	91740	switch	1
43	91643	front wheels axes	2
44	91644	fastener shelf	2
45	91621	metallic cover board	2
X 46	91646	orientation shelf	1
47	91647	spring flake	1
48	91648	up connection tube	1
49	91649	nether connection tube	1
50	91622	swivel spring latch seat	1
51	91750	spring	1
52	91652	pothook	1
53		4*20 bolt	2
54		4*16 bolt	20
55		4*12 bolt	6
56		3*10 bolt	9
57		4*10 bolt	1
58	91658	connection cap	1
59	91659	handhold	2
60	91761	tube	
61	91661	AMP	1
62		AMP	3
63	91640	outer fabric bag	1
64	91664	paper filter bag	2
X 65	91695	brush roller	1
65-1	91785	Axes	1
65-2	91671	bearing	2
65-3	91672	roller	1
66	91666	flashboard sponge	1
67	91667	motor sponge	1
68	91668	nameplate	1