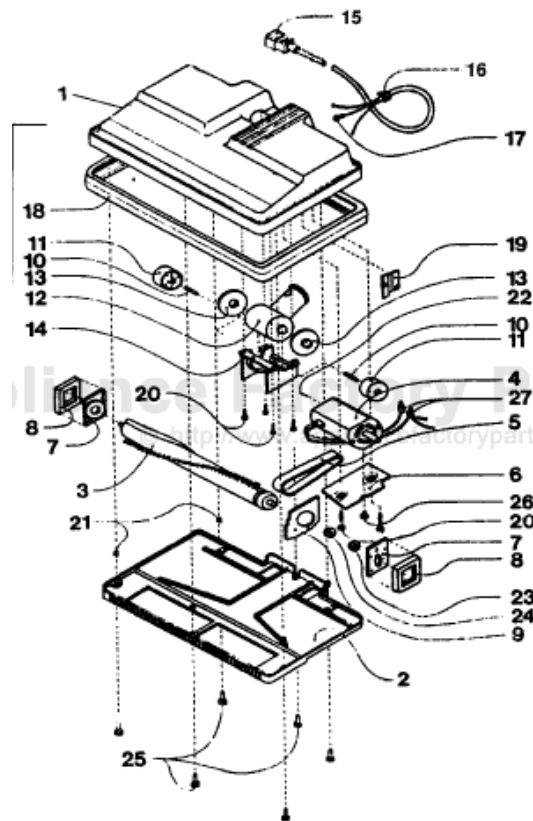


This Owner's Manual is provided and hosted by [Appliance Factory Parts](#).



DOUGLAS C6679 Owner's Manual

[Shop genuine replacement parts for DOUGLAS C6679](#)



[Find Your DOUGLAS Vacuum Cleaner Parts - Select From 13 Models](#)

----- Manual continues below part list -----

Available Replacement Parts for DOUGLAS C6679

| | |
|--------------------------|------------------------------|
| FQR-1050 | BELT FOR FILTER QUEEN 1 PACK |
| ER-6050 | MOTOR ASSEMBLY |

Original & Replacement **DOUGLAS**

C6679 Power Rug Tool for 8000, 8001

| KEY | PART NO. | DESCRIPTION |
|-----|----------|--|
| | NLA | Upper Housing Ass'y (Consists of Items 1, 18, 19, & 21) |
| 1 | D-62233T | Upper Housing |
| 2 | D-62259C | Lower Housing |
| 3 | D-63950 | Brushroll Ass'y with Bearings |
| 4 | D-90257 | Motor Ass'y (Includes: 6 & 26) |
| 4 | ER-6050 | Motor Ass'y |
| 5 | D-62240 | Drive Belt |
| 5 | FQR-1050 | Belt |
| 6 | D-62238 | Mounting Plate |
| 7 | NLA | Bearing Support Ass'y |
| 8 | D-62248 | Support Gasket |
| 9 | NLA | Dust Shield |
| 10 | D-62250 | Axle |
| 11 | D-62251A | Wheel |
| 12 | D-62231B | Pivot Elbow |
| 13 | D-62418 | Elbow Bushing |
| 14 | D-62232C | Retainer Ass'y |
| 15 | D-62601 | Supply Cord |
| 16 | D-61577 | Strain Relief |
| 17 | D-61828 | Terminal |
| 18 | D-62257C | Bumper |
| 19 | D-62417 | Heat Shield |
| 20 | D-61183 | Screw, #8 x 5/8" |
| 21 | D-62258 | Lock Nut |
| 22 | D-63107 | Ground Screw |
| 23 | D-62237 | Felt Seal |
| 24 | D-62236 | Washer |
| 25 | D-62260 | Screw, #8 x 7/16" |
| 26 | D-62420 | Screw & Washer Ass'y |
| 27 | D-61199 | Connector |

NLA = No Longer Available

