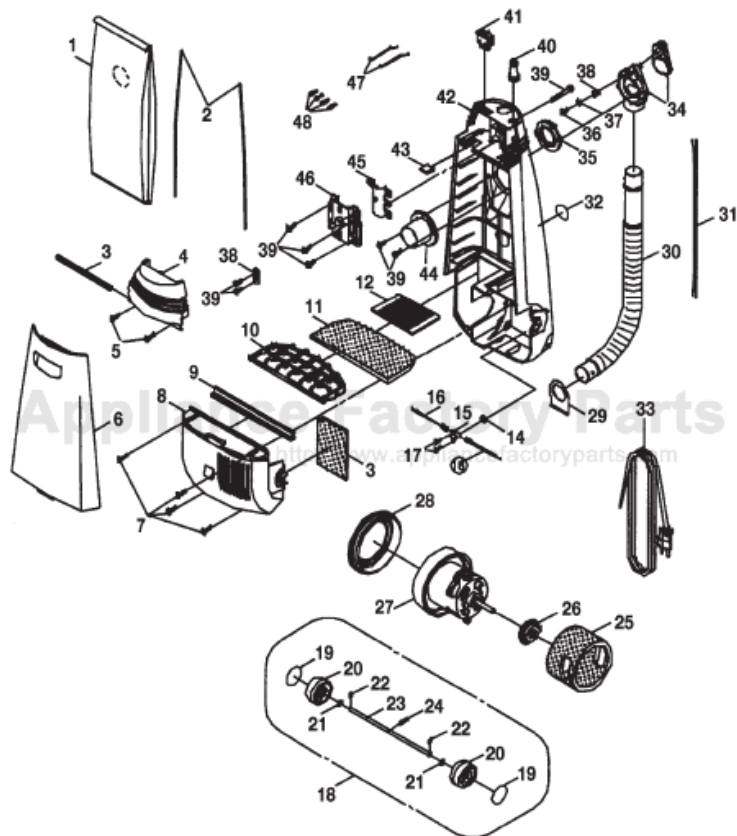


This Owner's Manual is provided and hosted by [Appliance Factory Parts](http://ApplianceFactoryParts.com).



# CARPET PRO CPU2T Owner's Manual

[Shop genuine replacement parts for CARPET PRO CPU2T](#)



[Find Your CARPET PRO Vacuum Cleaner Parts - Select From 12 Models](#)

----- Manual continues below part list -----

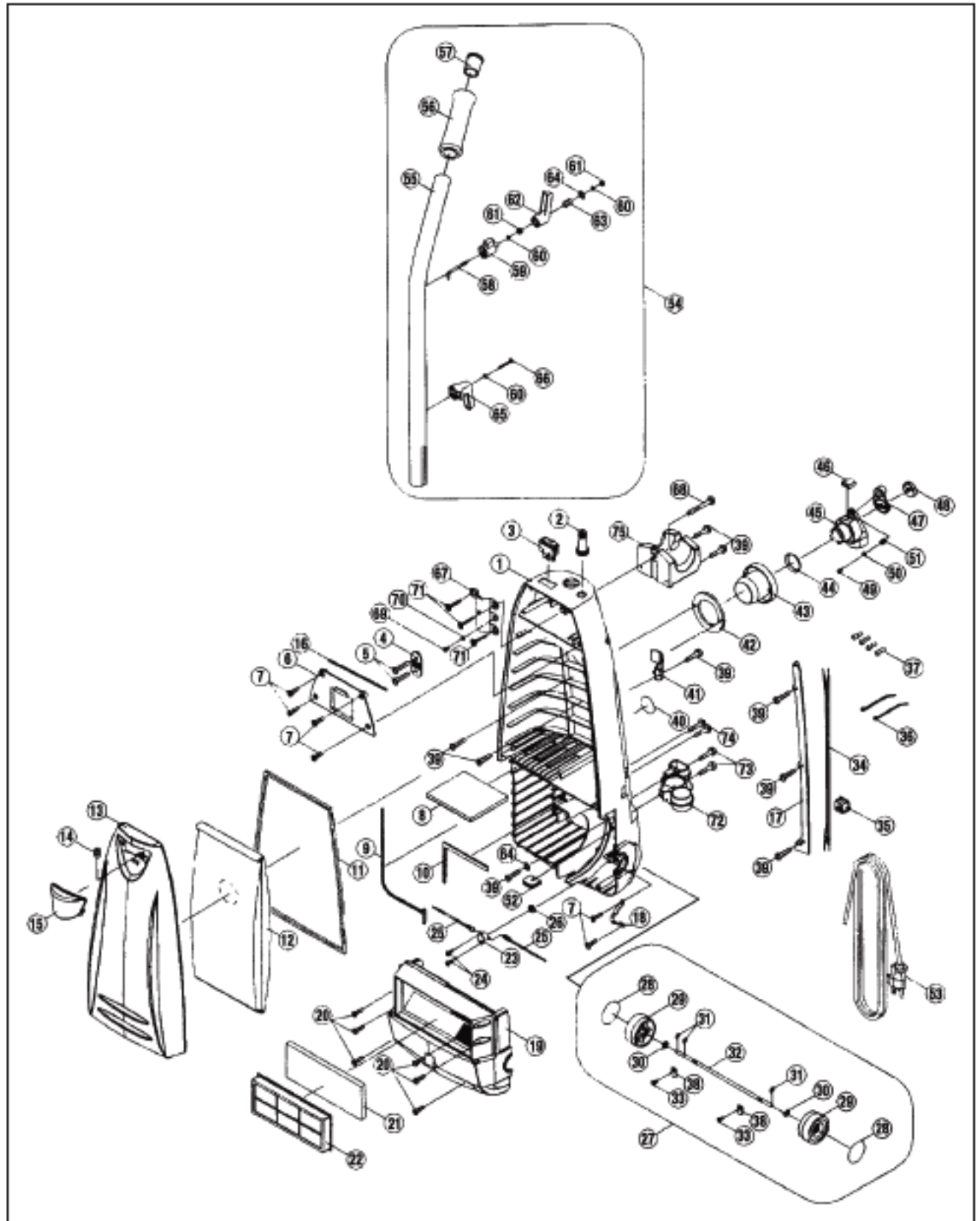
## Available Replacement Parts for CARPET PRO CPU2T

<a href="#">FA-3515</a>	LAMP T4840
<a href="#">RSR-14312</a>	Bags
<a href="#">FB-74010</a>	Furniture Guard Black.
<a href="#">CP-54006</a>	BOTTOM PLATE ASSEMBLY
<a href="#">FB-1002</a>	BELT
<a href="#">CP-2000</a>	BRUSHROLL COMPLETE
<a href="#">CP-62208</a>	Agitator Bearing.
<a href="#">CP-18180</a>	Secondary Filter.
<a href="#">CP-73143</a>	Nozzle Attachment Hose
<a href="#">CP-70011</a>	HANDLE ASSEMBLY COMPLETE
<a href="#">CP-1409</a>	Paper bag 3 pack

# Original & Replacement

# CARPET PRO

Models CPU1T, CPU2T



# CARPET PRO

# Original & Replacement

## Models CPU1T, CPU2T

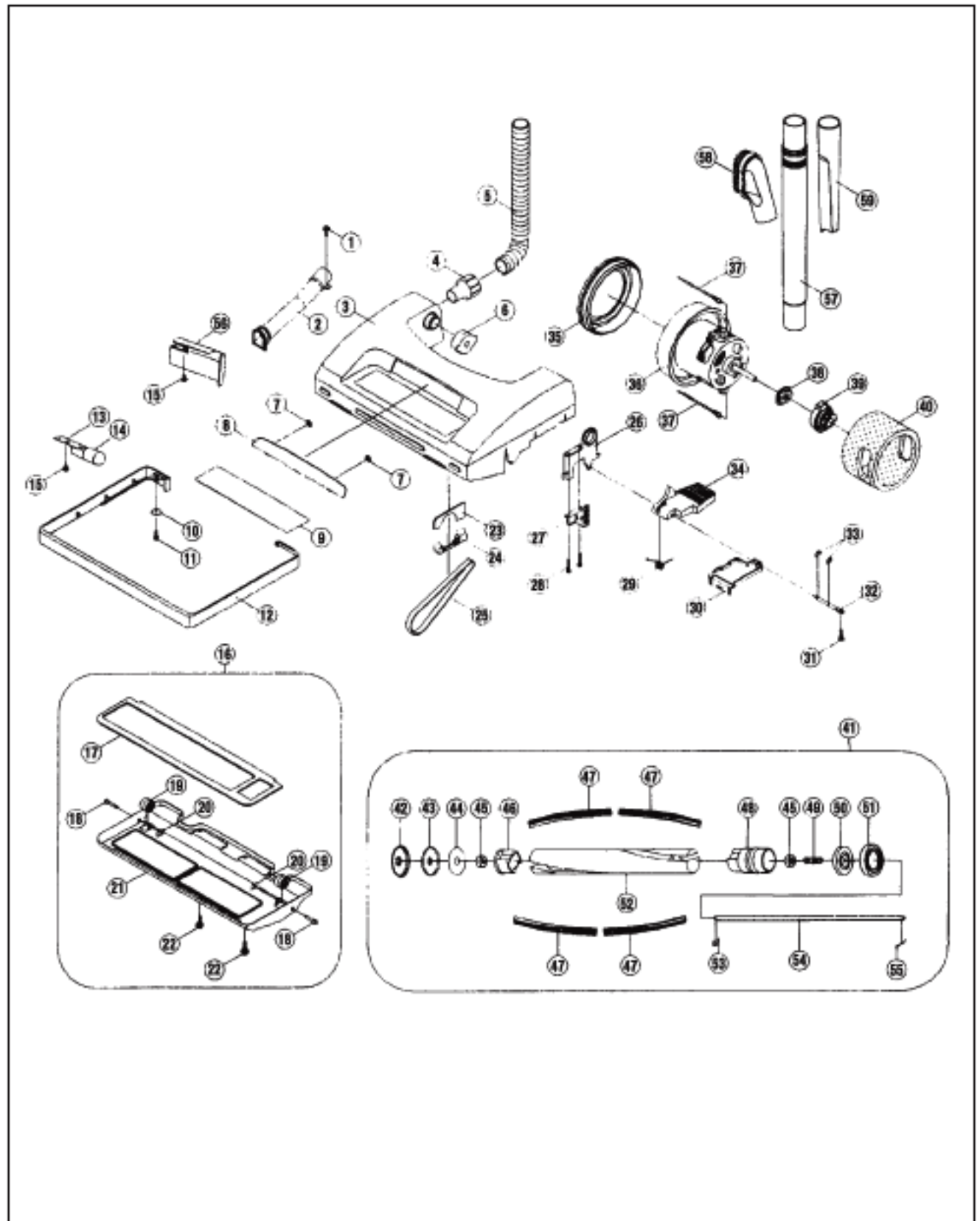
KEY	PART NO.	DESCRIPTION	KEY	PART NO.	DESCRIPTION
1	CP-75010	Dust Compartment CPU1T	41	CP-75060	Hose Clip
1	CP-75000	Dust Compartment CPU2T	42	CP-76055	Gasket Suction Inlet
2	CP-32600	Cord Strain Relief All Models	43	CP-75055	Inlet, Paper Bag
3	CP-34000	Switch On/Off All Models	44	CP-76033	Seal; Inlet Small
4	CP-32010	Cord Restraining Strap	45	CP-75555	Suction Inlet Assembly (Inc. Item #45-48)
5	CP-77000	Cord Holder Screws	46	N/A	Order Key #45
6	CP-34500	Inner Switch Cover	49	CP-77033	Screw, Suction Inlet
7	CP-77000	Inner Switch Cover Screws	50	CP-71022	Washer, Suction Inlet
8	CP-18180	Secondary Filter CPU1T, CPU2T	51	CP-77055	Spring, Suction Inlet
9	CP-76000	Motor Cover Seal 1	52	N/A	
10	CP-76010	Motor Cover Seal 2	53	CP-30000	Power Cord 30' Black CPU1T
11	CP-76020	Dust Compartment Seal	53	CP-30010	Power Cord 40' Yellow CPU2T
12	CP-14000	Paper Bag 3 Pk	54	CP-70000	Handle Assembly Complete CPU1T
13	CP-75020	Dust Cover CPU1T, CPU2T (Yellow)	54	CP-70010	Handle Assembly Complete CPU2T
14	CP-77020	Dust Cover Latch Spring	55	CP-70050	Handle Only Metal
15	CP-75030	Dust Cover Latch	56	CP-70025	Handle Foam Grip
16	CP-76030	Inner Switch Cover Seal	57	CP-70035	Handle Cap
17	CP-75040	Wire Harness Cover	58	CP-54035	L-Bolt
18	CP-75050	Support Strap	59	CP-54032	Cord Hook Holder CPU1T
19	CP-79030	Motor Cover	59	CP-70533	Cord Hook Holder CPU2T
20	CP-77000	Motor Cover Screw	60	CP-54037	Lock Washer
21	CP-18010	Exhaust Filter Micro CPU1T	61	CP-54033	Nut For L Bolt
21	CP-18020	Exhaust Filter Foam CPU2T	62	CP-54019	Cord Hook Upper CPU1T
22	CP-18030	Exhaust Filter Frame	62	CP-70517	Cord Hook Upper CPU2T
23	CP-34501	Thermal Switch	63	CP-54034	Cord Hook Spring
24	CP-77012	Switch Screw	64	CP-54036	Cord Hook Washer
25	CP-34502	Temperature Wire W/Switch	65	CP-70518	Cord Hook Lower
26	CP-76040	Temperature Switch Seal	66	CP-77038	Screw Lower Cord Hook
27	CP-71004	Wheel Axle Assembly	67	CP-70354	Handle Fitting
28	CP-74001	Decal Rear Wheel	68	CP-77232	Handle Screw
29	CP-54021	Wheel Rear Black	69	CP-77424	Screw Small Handle Fitting
30	CP-54024	Washer Rear Wheel	70	CP-71022	Washer Handle Fitting
31	CP-54025	E-Clip Ring, Rear Wheel	71	CP-77732	Screw Handle Fitting
32	CP-71000	Axle Rear Wheel	72	CP-75139	On Board Tool Holder
33	CP-77013	Screw, Rear Axle	73	CP-77430	Screw For Tool Holder
34	CP-36042	Motor Wire Harness	74	CP-77033	Screw Dust Compartment
35	CP-36043	Motor Wire Bushing	75	CP-75140	Hose Hanger
36	CP-36054	Zip Ties			
36	SS-8017	<b>Cable Ties</b>			
37	CP-36070	Wire Connectors			
38	CP-71010	Washer Rear Axle			
39	CP-77020	Screw Hose Clip			
40	CP-74010	Label Warning			

N/A = Not Available

# Original & Replacement

# CARPET PRO

Models CPU1T, CPU2T



# CARPET PRO

# Original & Replacement

Models CPU1T, CPU2T

KEY	PART NO.	DESCRIPTION	KEY	PART NO.	DESCRIPTION
1	CP-77250	Screw Hose Inlet Tube	31	CP-77000	Screw Pedal Shaft
2	CP-73006	Hose Inlet Tube	32	CP-71030	Pedal Shaft
3	CP-73000	Nozzle Housing CPU1T	33	CP-71732	E-Clip 4 mm
3	CP-73001	Nozzle Housing CPU2T	34	FB-73700	Foot Pedal Black
4	CP-73018	Nozzle Hose Cuff	35	CP-62148	Motor Mount Rear
5	CP-73143	Nozzle Attachment Hose	36	CP-60002	Motor Assembly
6	CP-73200	Nozzle Housing Pivot Bushing	37	CP-36149	Temperature Wire
7	CP-73145	Lens Clip	38	CP-62150	Motor Mount Front
8	CP-73419	Headlight Lens CPU1T	39	CP-62231	Pivot Sleeve Metal
8	CP-73420	Cover Yellow CPU2T	40	CP-62139	Sound Suppressor/Foam
9	CP-74146	Name Plate CPU1T	41	CP-20000	Brushroll Assembly
9	CP-74115	Name Plate CPU2T	42	CP-20512	End Cap Rubber Cover Left
10	CP-77430	Washer Furniture Guard	43	CP-20527	End Cap Left
11	CP-77000	Screw For Furniture Guard	44	CP-20560	Felt Cover
12	CP-74015	Furniture Guard Black	45	CP-62208	Agitator Bearing
13	CP-73181	Headlight Socket CPU1T	46	CP-62808	Bearing Holder
14	CP-35060	Headlight Bulb 15 Watts CPU1T	47	CP-22000	Brushroll Strips Nylon 10.3 mm Ea
14	FA-3515	Bulb, 15 Watts	48	CP-20570	Agitator Pulley
15	CP-77732	Screw Headlight Shield CPU1T	49	CP-77624	Spacing Spring
16	CP-54006	Bottom Plate Assembly	50	CP-20528	End Cap Right Pulley Side
17	CP-76006	Bottom Plate Gasket	51	CP-20513	End Cap Rubber Cover Right
18	CP-71043	Wheel Pin Bottom Plate	53	CP-71732	E-Clip 4 mm
19	CP-71104	Wheel, Bottom Plate 24.5 mm	54	CP-20511	Agitator Shaft
20	CP-77546	Push On Spring Nut	55	CP-77412	Spring Clip
22	CP-77220	Screw Bottom Plate	56	CP-73288	Headlight Shield
23	CP-73409	Felt Packing Top	57	CP-50000	Wands 2 Pc Assembly
24	CP-73410	Vented Support Fitting Bottom	58	CP-52000	Upholstery Brush
25	FB-1002	Belt	59	CP-54000	Crevice Tool
26	CP-73147	Pedal Frame			
27	CP-73050	Belt Guard			
28	CP-77000	Screw Pedal Frame			
29	CP-77204	Pedal Spring			
30	CP-73504	Belt Cover Rear			