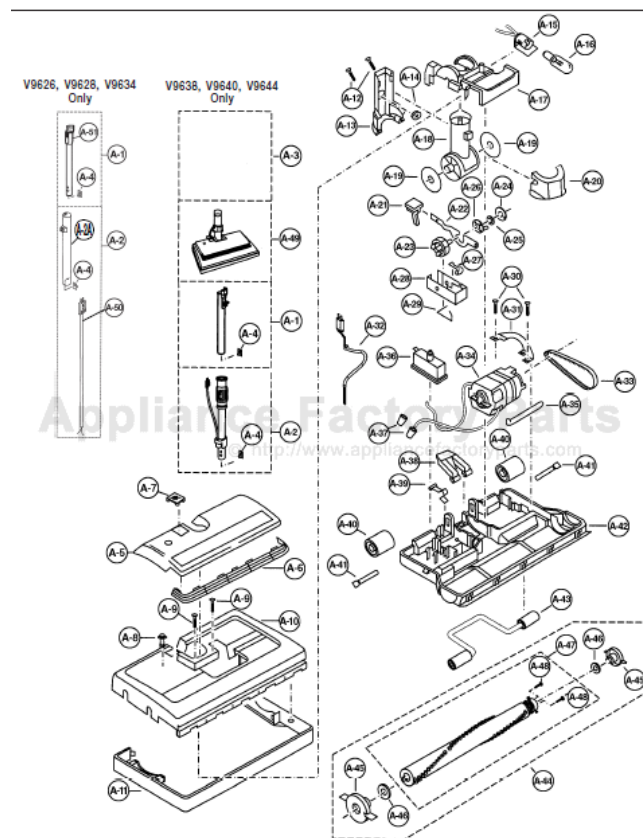


This Owner's Manual is provided and hosted by [Appliance Factory Parts](#).



CENTEC CT-14L Owner's Manual

[Shop genuine replacement parts for CENTEC CT-14L](#)



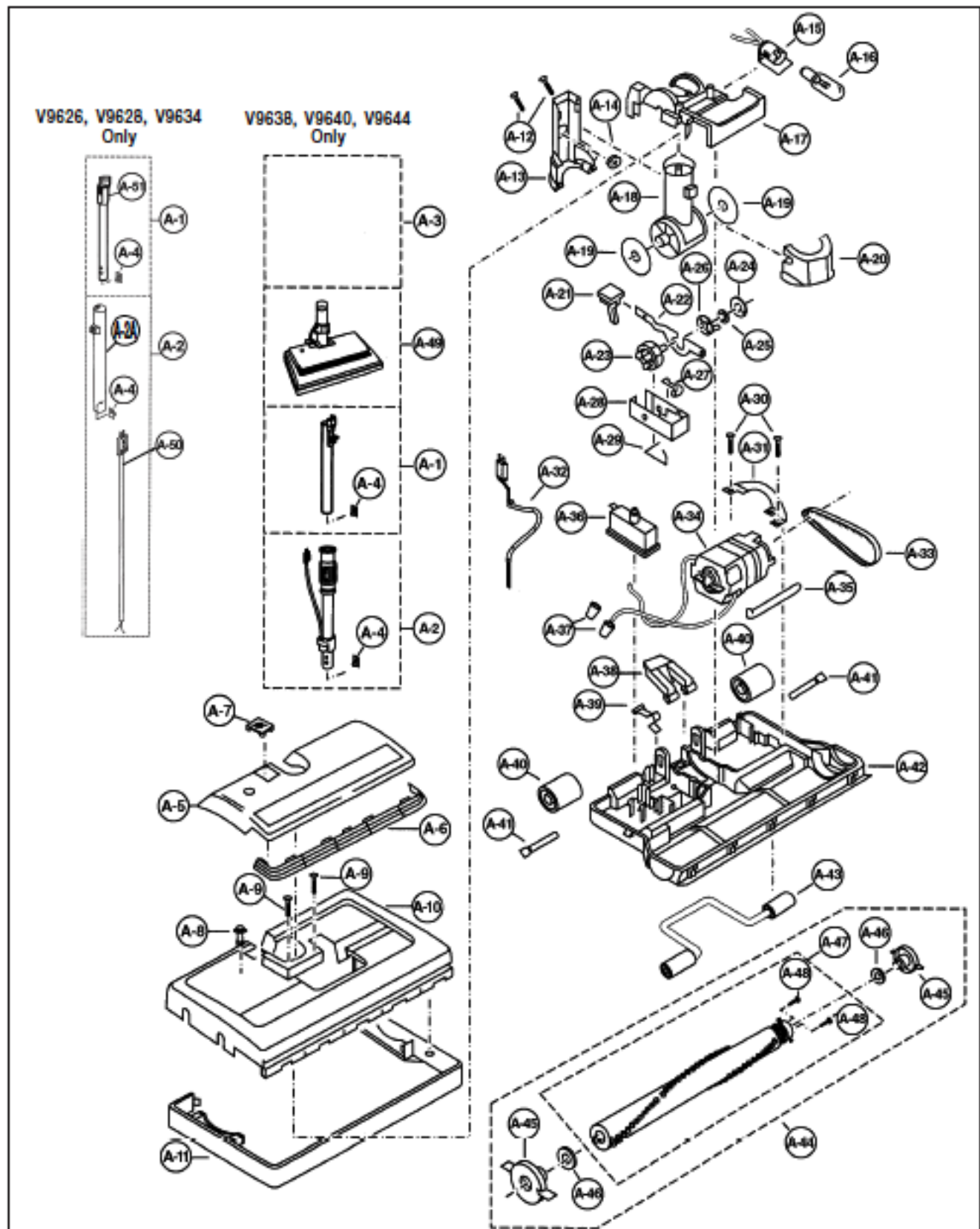
[Find Your CENTEC Vacuum Cleaner Parts - Select From 14 Models](#)

----- Manual continues below part list -----

Available Replacement Parts for CENTEC CT-14L

| | |
|--------------------------|-------------------|
| KER-1075 | BELT, GEARED, 1PK |
| FA-3515 | LAMP T4840 |

Most power Nozzle Parts listed here should fit Cen-Tec model # CT14L



Most power Nozzle Parts listed here should fit Cen-Tec model # CT14L

PARTS LIST (POWER NOZZLE)

| KEY | PART NO. | DESCRIPTION | KEY | PART NO. | DESCRIPTION |
|------|--------------|---|------|--------------|--|
| A-1 | P-50043 | Wand, Upper V9626, V9634 | A-21 | P-48AMGZV06 | Pad, Foot Pedal |
| A-1 | P-50046 | Wand, Upper V9628 | A-22 | P-747-287 | Lever, Indicator |
| A-1 | P-50047 | Wand, Upper V9638 | A-23 | P-725-725 | Cam, Indicator |
| A-1 | P-50048 | Wand, Upper V9640 | A-24 | P-722-909 | Washer, Thrust |
| A-1 | P-50070 | Wand, Upper V9644 | A-25 | P-725-635 | Washer |
| A-2A | P-50051 | Wand, Lower V9626, V9628, V9634 | A-26 | P-722-955 | Catch, Indexing |
| A-2 | P-50052 | Wand, Lower With Cord V9638, V9644 | A-27 | P-742-016 | Ratchet, Catch |
| A-2 | P-50053 | Wand, Lower V9640 | A-28 | P-742-015 | Indicator Block |
| A-3 | P-40474 | Hose Ass'y V9626, V9634 | A-29 | P-725-775 | Spring, Assist |
| A-3 | P-40473 | Hose Ass'y V9628, V9638 | A-30 | P-681-297 | Screw (Motor Bridge) |
| A-3 | P-40475 | Hose Ass'y V9640 | A-31 | P-705-093 | Bridge, Motor |
| A-3 | P-40476 | Hose Ass'y V9644 | A-32 | P-36017 | Lead Wire "A" Unit V9638, V9640, V9644 |
| A-4 | P-725-419 | Lock, Spring Wand | A-33 | P-MC320B | Geared Belt Type CB-5 V9626, V9628, V9638, V9640 |
| A-5 | P-24HBTWZBUD | Power Head Cover V9626 | A-33 | KER-1075 | Geared Belt Type CB-5 V9626, V9628, V9638, V9640 |
| A-5 | P-24HBMVZMU9 | Power Head Cover V9628, V9638 | A-33 | P-MC330B | Serpentine Belt Type CB-6 V9634, V9644 |
| A-5 | P-24HCHJZC01 | Power Head Cover V9634 | A-34 | P-60518 | Motor, Nozzle (Geared) V9626, V9628, V9638, V9640 |
| A-5 | P-24HCBWZCU1 | Power Head Cover V9640 | A-34 | P-60519 | Motor, Nozzle V9634, V9644 Serpentine |
| A-5 | P-24HCHKZR0K | Power Head Cover V9644 | A-35 | P-742-002 | Spring, Motor Adjust |
| A-6 | P-744-119 | Lens, Light Cover | A-36 | P-742-332 | Overload Protector |
| A-7 | P-744-237 | Lens, Height Adjustment | A-37 | SS-3270 | Connector, Wire |
| A-8 | P-744-280 | Extension Button V9626, V9634 | A-38 | P-73723 | Release, Handle |
| A-8 | P-73452 | Extension Button V9628, V9638 V9640, V9644 | A-39 | P-742-013 | Lifter |
| A-9 | P-681-550 | Screw, Nozzle Cover | A-40 | P-01CAKZZV06 | Roller, Rear |
| A-10 | P-73180 | Nozzle Cover V9626 | A-41 | P-742-006 | Axle, Rear |
| A-10 | P-73156 | Nozzle Cover V9628, V9638 | A-42 | P-72150 | Base V9626, V9628, V9638, V9640 |
| A-10 | P-73155 | Nozzle Cover V9640, V9634 | A-42 | P-72151 | Base V9634, V9644 |
| A-10 | P-73154 | Nozzle Cover V9644 | A-43 | P-744-029 | Axle Assembly, Front |
| A-11 | P-74065 | Furniture Guard V9628, V9638, V9644 | A-44 | P-20017 | Brushroll V9626 Geared |
| A-11 | P-10ASRZV07 | Furniture Guard V9626, V9640, V9634 | A-44 | P-20087 | Brushroll V9628, V9638, V9640 Geared |
| A-12 | P-XTN4+24BFY | Wand Release Cover Screw V9638, V9640, V9644 | A-44 | P-20086 | Brushroll V9634, V9644 Serpentine W/Round End Caps W/Wings |
| A-13 | P-75552 | Rear Cover, Wand Release Button V9638, V9640, V9644 | A-45 | P-20538 | Bearing/Housing Assembly |
| A-14 | P-13DABFZV0G | Button, Wand Release V9638, V9640, V9644 | A-46 | P-681-424 | Washer |
| A-15 | P-414-8683 | Socket, Bulb V9626 | A-47 | P-415-6360 | Brushroll Core V9626 |
| A-15 | P-93HBNXZ000 | Socket, Bulb V9628, V9634, V9638, V9640, V9644 | A-47 | P-85RBMVZ020 | Brushroll Core V9628, V9638, V9640 |
| A-16 | FA-3515 | Bulb, Headlight | A-48 | P-681-605 | Screw, (End Brush) |
| A-17 | P-25QMGZB0D | Swivel Cap V9626 | A-49 | P-50XCBVZB0D | Power Nozzle Assembly V9626 |
| A-17 | P-25QMGZM09 | Swivel Cap V9628, V9638 | A-49 | P-50XBMVZM09 | Power Nozzle Assembly V9628, V9638 |
| A-17 | P-25QMGZC01 | Swivel Cap V9640 | A-49 | P-50XCHJZC01 | Power Nozzle Assembly V9634 |
| A-17 | P-25QMGZV06 | Swivel Cap V9634, V9644 | A-49 | P-50XCBWZC01 | Power Nozzle Assembly V9640 |
| A-18 | P-415-5049 | Swivel V9626, V9628, V9634 | A-49 | P-50XCHKZR0K | Power Nozzle Assembly V9644 |
| A-18 | P-72423 | Swivel V9638, V9640, V9644 | A-50 | P-30053 | Cord Unit V9626, V9634 |
| A-19 | P-742-019 | Seal, Swivel | A-50 | P-30054 | Cord Unit V9628 |
| A-20 | P-75547 | Front Cover V9638, V9640, V9644 | A-51 | P-73925 | Quick Release V9628, V9638 |