

EXPLOSION PARTS & LIST

CT-18DXQD and CT-18DXQS

Numbers with * applies only to CT-18DXQS (Dirt Sensor) parts.

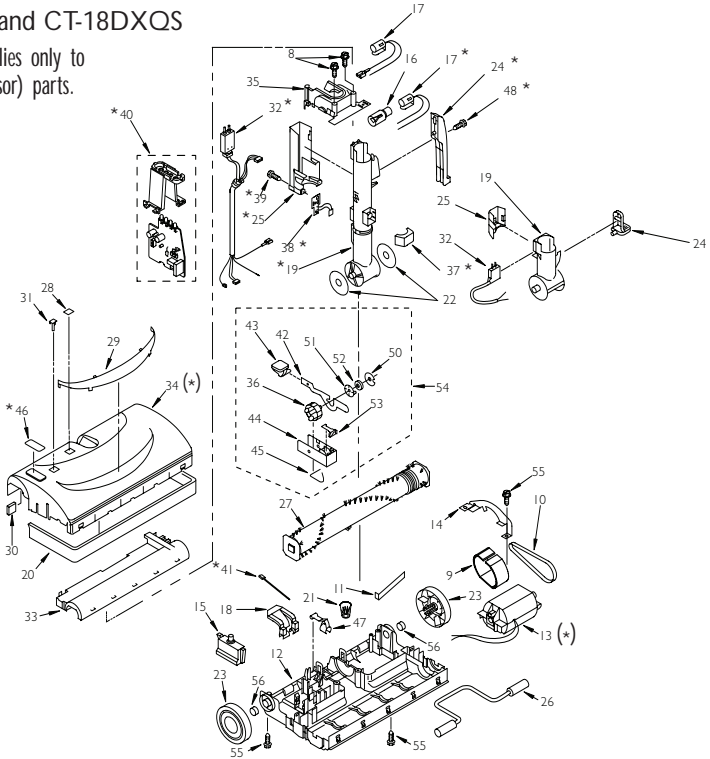


DIAGRAM #	STOCK #	DESCRIPTION	DIAGRAM #	STOCK #	DESCRIPTION
8	40713	SCREW	31	40834	BUTTON EXTENSION
9	40724	MOTOR GASKET	32	40460	LEAD WIRE UNIT
10	40966	BELT	*32	41164	LEAD WIRE UNIT
11	40284	MOTOR SPRING	33	40845	AGITATOR COVER
12	40735	LOWER PLATE	34	40988	NOZZLE HOUSING (DECO)
13	40977	MOTOR	*34	41175	NOZZLE HOUSING (DECO)
*13	41021	MOTOR	35	40867	SWIVEL CAP
14	40317	MOTOR BRIDGE	36	40878	CAM INDICATOR
15	39932	OVERLOAD PROTECTOR	*37	41186	FRONT COVER
16	39943	LIGHT BULB	*38	41197	PCB "B" UNIT
17	40746	BULB SOCKET	*39	41208	SCREW
*17	41043	BULB SOCKET	*40	41219	PCB ASSEMBLY
18	40399	HANDLE RELEASE PEDAL	*41	41120	LEAD WIRE
19	40350	SWIVEL	42	40570	INDICATOR LEVER
*19	41131	SWIVEL	43	40581	PAD FOOT PEDAL
20	40757	FURNITURE GUARD	44	40592	INDICATOR BLOCK
21	40768	WIRE CONNECTOR	45	40603	SPRING ASSIST
22	40383	SWIVEL SEAL	*46	41230	WINDOW DIRT SENSOR
23	40779	WHEEL	47	40625	LIFTER
24	40405	PEDAL EASY RELEASE	*48	41241	SCREW
*24	41142	PEDAL EASY RELEASE	50	40889	THRUST WASHER
25	40416	PLUG HOUSING COVER	51	40900	CATCH INDEXING
*25	41153	REAR COVER	52	40911	WASHER
26	40427	FRONT AXLE ASSEMBLY	53	40922	RATCHET CATCH
27	41065	AGITATOR UNIT	54	40933	INDICATOR BLOCK ASSEMBLY
28	40801	INDICATOR WINDOW	55	40944	SCREW
29	40812	WINDOW COVER	56	40955	BUSHING
30	40823	EXHAUST FOAM			