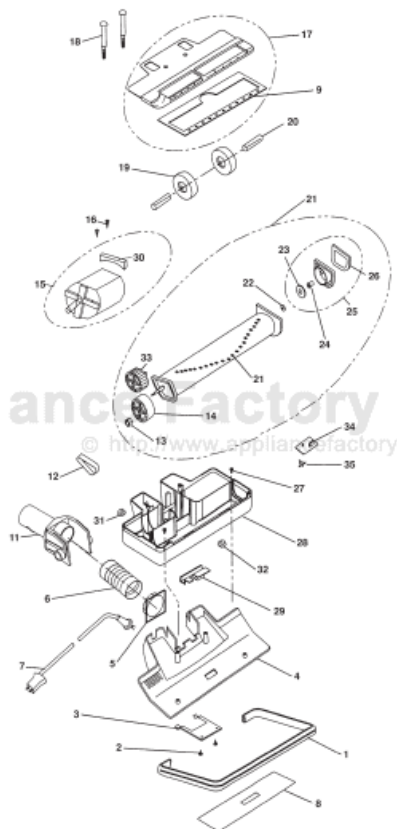


This Owner's Manual is provided and hosted by [Appliance Factory Parts](#).



# Compact 2-51 Owner's Manual

[Shop genuine replacement parts for Compact 2-51](#)



[Find Your Compact Vacuum Cleaner Parts - Select From 11 Models](#)

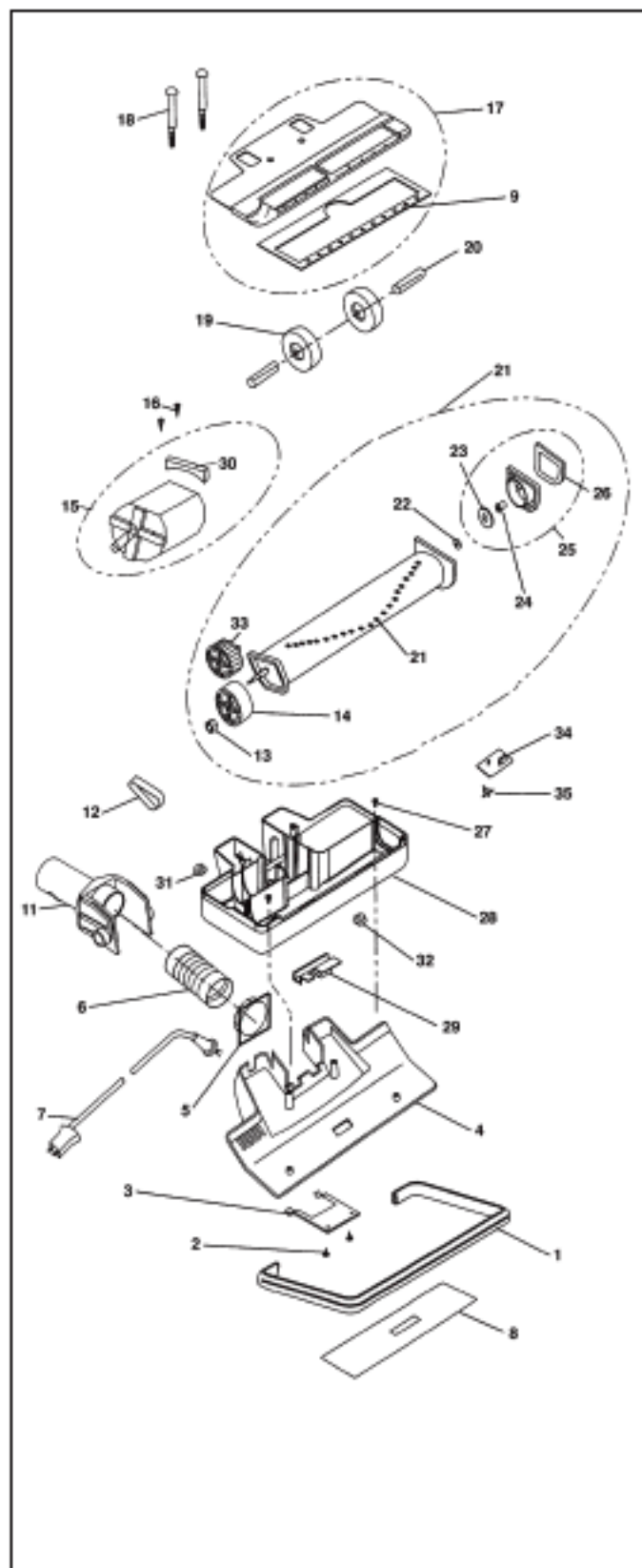
----- Manual continues below part list -----

## Available Replacement Parts for Compact 2-51

<a href="#">COR-1412</a>	VACUUM BAG
<a href="#">Cor-1801</a>	FOAM FILTER MEDIA FOR DOME
<a href="#">Fa-3400</a>	switch â€“ step on 1 Inch Leads.

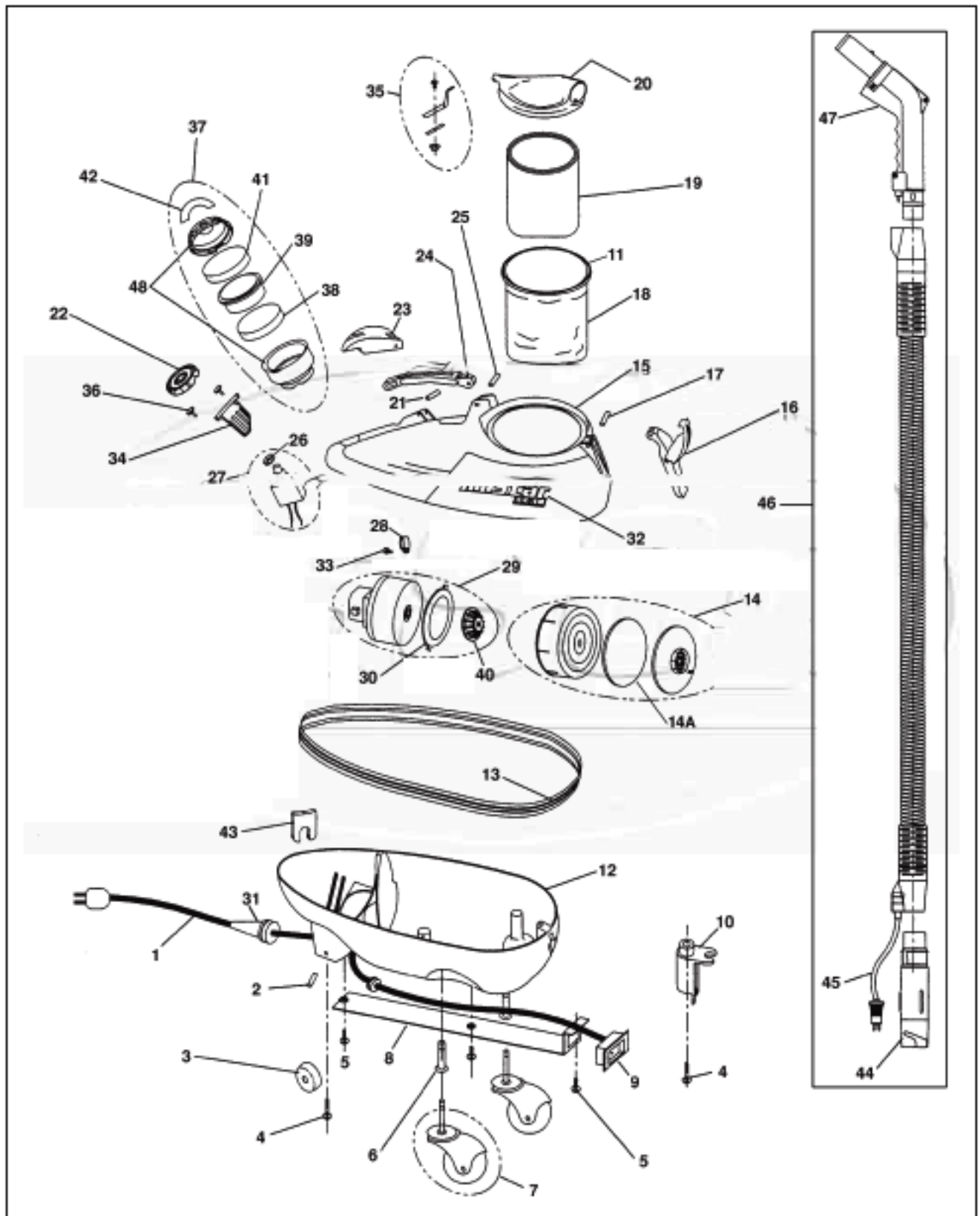
KEY	PART NO.	DESCRIPTION
1	CO-1026	Bumper - Extruded
2	CO-12-0134	Screw - #6 x 3/8" Long
3	CO-1025	Spring - Elbow Latch
4	CO-1056	Cover - Housing
5	CO-1022	Plate - Bellows
6	CO-1023	Bellows
7	CO-1067	Power Cord Ass'y 48" With Grommet
	CO-70086	Power Cord 58" With Grommet And Terminals 2-101
7	<b>NLA</b>	<b>Power Cord Without Grommet 58"</b> (Order H-46321019)
8	CO-1027	Label - Selector
9	CO-1031	Pad - Foam
11	CO-1013	Pivot Elbow
11	<b>COR-7200</b>	<b>Pivot Elbow</b>
12	CO-0011	Belt - 2-54, 2-102 Flat
12	<b>ER-1050</b>	<b>Belt - 2-54, 2-102 Flat</b>
	CO-1123	Belt - Drive 2-51 Geared
	CO-1169	Belt - Drive 2-101 Geared
13	CO-1036	Nut - Hex Nylok
14	CO-21020	Pulley, Smooth 2-54, 2-102
15	CO-1051	Motor Ass'y 2-54, 2-102
15	<b>ER-6050</b>	<b>Motor Ass'y 2-54, 2-102</b>
	CO-1119	Motor Ass'y Geared 2-51, 2-101
16	CO-1035	Screw - #6 x 1" Long
17	CO-1039	Bottom Plate Ass'y (Incl. Item No. 9)
18	CO-1034	Screw - #8 x 2 1/2" Long
19	CO-0759	Wheel
20	CO-1014	Axle
21	CO-1037	Brushroll Ass'y Smooth Pulley 4 Row 2-54, 2-102
21	<b>ER-2030</b>	<b>Brushroll Ass'y Smooth Pulley 4 Row 2-54, 2-102</b>
21	CO-1120	Brushroll Ass'y Geared Pulley 4 Row 2-51, 2-101
22	CO-1017	Washer - Spacer (Nylon)
22	<b>COR-7700</b>	<b>Washer - Spacer (Nylon)</b>
23	CO-1040	Washer - Dust (Felt)
24	CO-1016	Bearing
25	CO-1038	Bearing Support Ass'y (Incl. Items No. 23 - 26)
26	CO-1019	Seal - Bearing
27	CO-1177	Screw - #8 x 3/8" Long
28	CO-1082	Housing - Main 2-101, 2-102
28	CO-1304*	Power Nozzle Housing Conversion Kit, Converts Model 2-51 to 2-101 Converts Model 2-54 to 2-102
29	CO-1024	Slide - Vent
30	CO-1072	Seal - Motor
31	CO-70089	Grommet
32	CO-70088	Bushing
33	CO-70083	Pulley - Geared For 2-51, 2-101
34	CO-1182	Circuit Board 2-51, 2-101
	CO-70331	Circuit Board Protector (Not Shown)
35	CO-70087	Rivet

\* Converts old housing to new.  
Includes housing, belt, bumper,  
power nozzle cord, circuit board  
& hardware.



# COMPACT/ TRI STAR Original & Replacement

Models 2-51, 2-54, 2-101, 2-102



# Original & Replacement **COMPACT/ TRI STAR**

## Models Using Power Nozzles, 2-51, 2-54, 2-101, 2-102

KEY	PART NO.	DESCRIPTION	KEY	PART NO.	DESCRIPTION
1	CO-1467	Cord With Grommet - Power 30'	25	CO-0439	Pin - Handle Hinge
1	ER-3001	Cord With Grommet - Power 30'	26	CO-0443	Nut - Hex Jam
2	CO-0756	Axle - Wheel	27	CO-70042	Switch - On/Off
3	CO-0759	Wheel - Rear	27	FA-3400	Switch - Step on 15" Leads
4	CO-0620	Screw - Housing		CO-1329	Switch - High-Low 3 Wire
5	CO-1177	Screw - External Plate		NLA	Switch - High-Low 4 Wire
6	CO-0973	Sleeve - Caster	28	CO-1091	Clamp
7	CO-0997	Caster - Stem	29	CO-1419	Motor Ass'y, 2 Stage W/Thermostat
7	NLA	Caster - Threaded	29	L-116311-01	Motor Ass'y, 2 Stage
8	CO-12388**	Plate - External Cover	29	NLA	Motor - 2 Speed - 3 Wire
9	CO-1330	Connector Ass'y	30	CO-0609	Mount - Motor
10	CO-1435	Clamp Ass'y	31	CO-1158	Strain Relief
11	NLA	Gasket - Dust Bag	32	CO-9228	Name Plate Tristar With
12	CO-1428**	Housing Ass'y Lower (Black)		CO-1229**	High Center Post Plastic
13	CO-1263	Bumper - Housing		CO-9887	Name Plate Ass'y Metal
14	CO-0770	Filter Dome Top Complete		CO-9887	Name Plate, With Low Center Post Plastic
14	COR-1800	Filter, Dome Top Complete	33	CO-70002	Screw
14A	COR-1801	Foam Filter Insert	34	CO-1433	Filter Basket
14	COR-1805	Micron Filtration Ass'y Dome Top	35	CO-1313	Cord Winder
15	CO-1399**	Housing Ass'y - Upper	36	CO-70003	Pop Rivet
16	CO-0648	Lid Lock Ass'y		NLA	Filter, Ultra 1000
17	CO-0225	Pin - Lid Lock Hinge	37	CO-1768	Ultra Filter Ass'y 2000
18	CO-0218	Bag - Cloth Dust	38	CO-1766	Foam Insert Filter For Ultra
18	COR-1225	Cloth Bag	39	CO-1735	Paper Insert Filter For Ultra
19	CO-691	Bag - Paper Dust 3 Pk	40	CO-1463	Filter Screen For Motor Inlet
19	COR-1405	Paper Bag 5 Pk	41	CO-1767	Carbon Insert Filter For Ultra
19	COR-1450	Paper Bag, Microfiltration 12 Pk	42	CO-70033	Label For Ultra Filter
19	CO-693	Bag - Paper Dust 12 Pk	43	CO-70017	Retainer, Power Cord
19	COR-1412	Paper Bag 12 Pk	44	CO-70024	Swivel Ass'y
20	CO-1346**	Lid Ass'y	45	CO-1440	Machine End Pigtail 16"
21	CO-0439	Pin - Handle Rear	46	CO-1450	Electric Hose Complete With Pistol Grip
22	NLA*	Exhaust Cap, Metal		COR-4015	Electric Hose Complete
22	CO-1126	Filter - Exhaust Ass'y Black			With Gas Pump Grip
22	COR-1820	Filter - Exhaust Ass'y Black		COR-4010	Electric Hose Complete With
22	NLA	Filter - Exhaust Ass'y Gold			Curved Metal Wand With Two Pigtails
23	CO-0474	Pedal - Switch Hook	47	CO-1416	Pistol Grip
24	CO-0605	Handle	48	CO-70032	Housing For Ultra Filter

Items Not Illustrated

CO-70063 Backplate

\* WHEN UPDATING 1000 FILTER TO THE 2000 STYLE, RIVET CO-70063 BACKPLATE TO MACHINES EXHAUST PORT WITH THE FLAT SIDE OF THE CUTOUT POSITIONED AT 12 O'CLOCK.  
\*\* WARRANTY REPLACEMENT ONLY

NLA = NO LONGER AVAILABLE