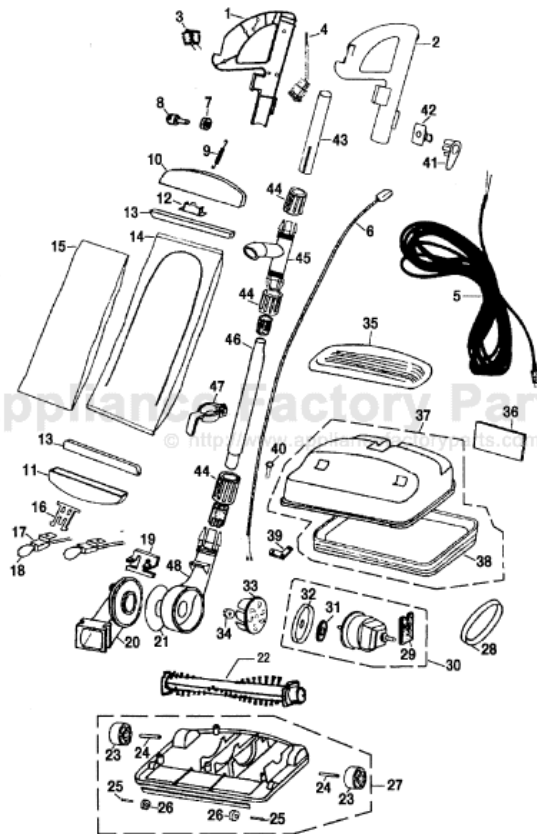


This Owner's Manual is provided and hosted by [Appliance Factory Parts](#).



ELECTRAPURE EP1010 Owner's Manual

[Shop genuine replacement parts for ELECTRAPURE
EP1010](#)



[Find Your ELECTRAPURE Vacuum Cleaner Parts - Select From 5 Models](#)

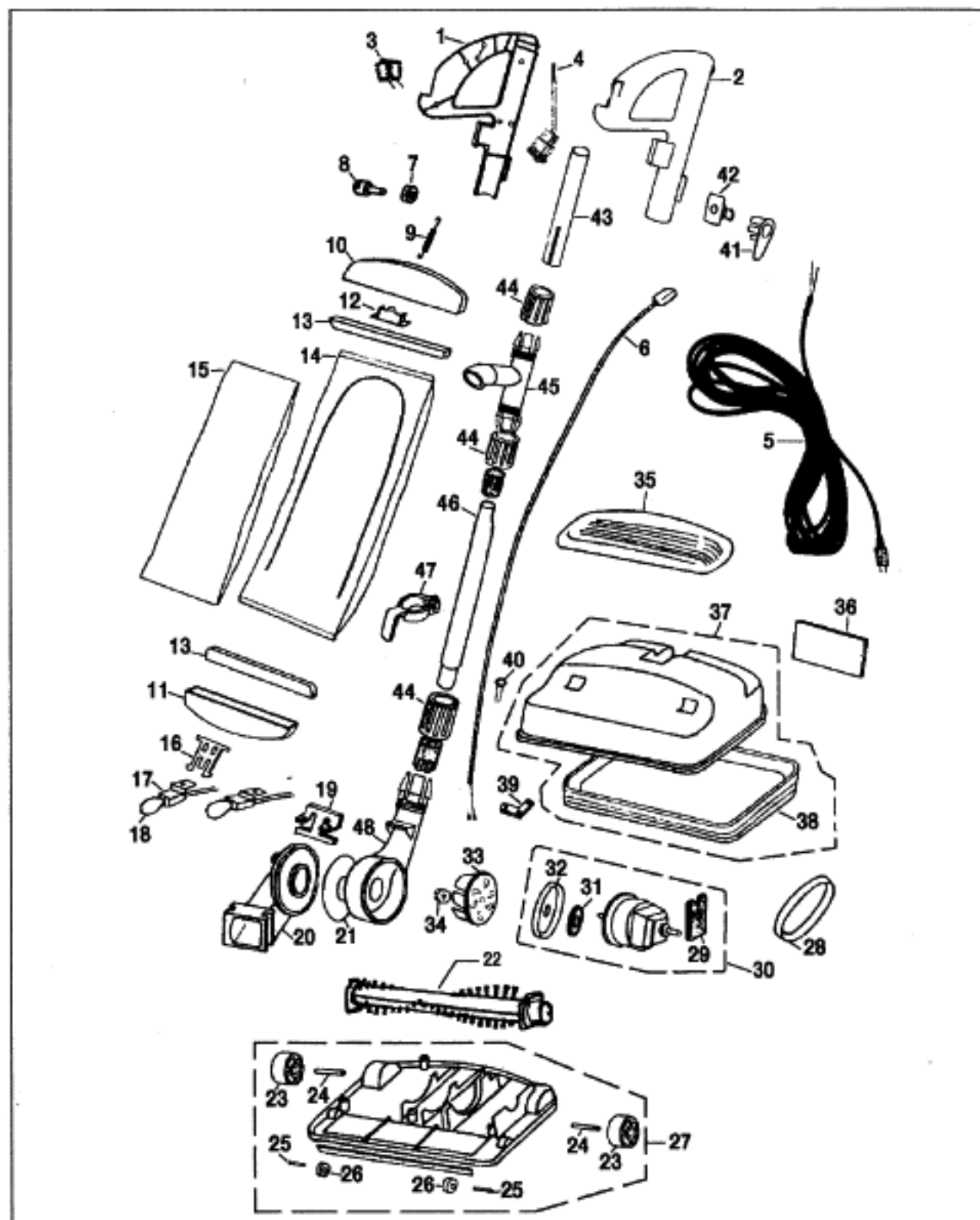
----- Manual continues below part list -----

Available Replacement Parts for ELECTRAPURE EP1010

HR-3500	HEADLIHT BULB
OR-6000	MOTOR AFTERMARKET

ELEKTRAPURE Original & Replacement

Model EP-1010



Original & Replacement

ELEKTRAPURE

Model EP-1010

<u>KEY</u>	<u>PART NO.</u>	<u>DESCRIPTION</u>	<u>KEY</u>	<u>PART NO.</u>	<u>DESCRIPTION</u>
1	EP-70254	Handle (Right Half)	26	EP-71003	Front Wheel
2	EP-70255	Handle (Left Half)	27	EP-76102	Bottom Plate Ass'y
3	EP-34003	Switch For Handle	28	EP-1020	Belt 2 Pk
4	EP-32040	Socket For Nozzle Cord	29	EP-62000	Motor Support
5	EP-30002	Power Cord	30	OR-6000	Motor
6	EP-30080	Nozzle Cord	31	EP-76006	Dust Gasket
7	EP-76001	Gasket For Bag Spring Hook	32	EP-62001	Dust Cap, Metal
8	EP-16000	Bag Spring Hook	33	EP-28000	Motor Fan
9	EP-77001	Bag Spring	34	EP-77004	Nut For Motor Shaft
10	EP-16011	Bag Holder (Upper)	35	EP-73002	Lens Cover (Clear)
11	EP-16012	Bag Holder (Lower)	36	EP-18001	Foam Exhaust Filter
12	EP-16005	Clasp For Bag Holder	37	EP-73006	Hood (Top Cover)
13	EP-16009	Sliding Clip For Outer Cloth Dust Bag	38	EP-74001	Bumper (Clear)
14	EP-12001	Outer Cloth Dust Bag	39	EP-32000	Clamp For Cord Restraint
15	EP-1405	Paper Bag Micron 6 Pk	40	EP-32600	Sleeve For Cord Restraint
16	EP-16007	Anchor For Outer Cloth Dust Bag	41	EP-70502	Upper Cord Hook (Cord Dump Lever)
17	EP-36001	Bulb Holder	42	EP-70507	Mount For Cord Dump Lever
18	HR-3500	Bulb	43	EP-70003	Upper Handle Tube
19	EP-70500	Catch (Elbow Lock)	44	EP-70504	Twist Lock
20	EP-72001	Dirt Intake	45	EP-70001	Handle Connector
21	EP-76004	Gasket For Dirt Intake	46	EP-70002	Lower Handle Tube
22	EP-20005	Brushroll	47	EP-70503	Lower Cord Hook
23	EP-71001	Rear Wheel	48	EP-72003	Elbow (Neck)
24	EP-71002	Axle For Rear Wheel			
25	EP-71004	Axle For Front Wheel			