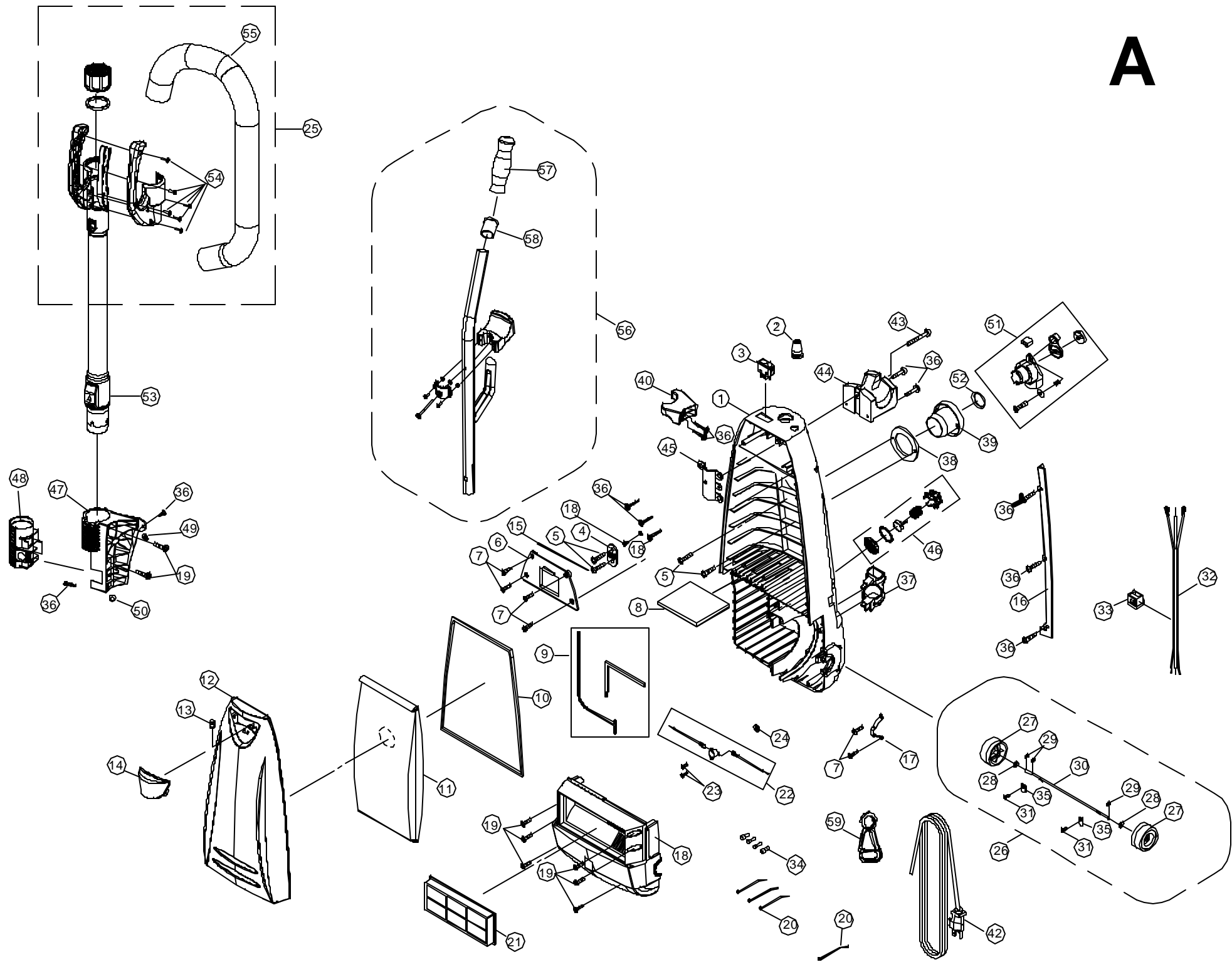
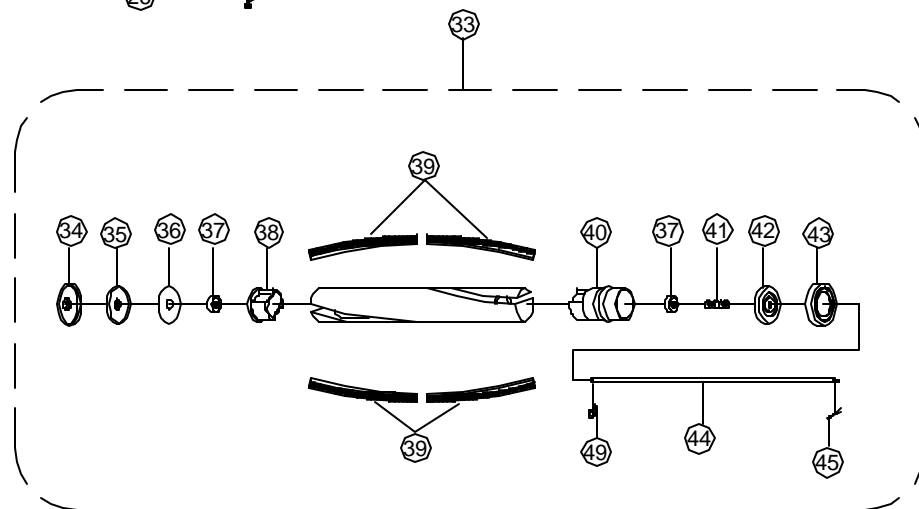
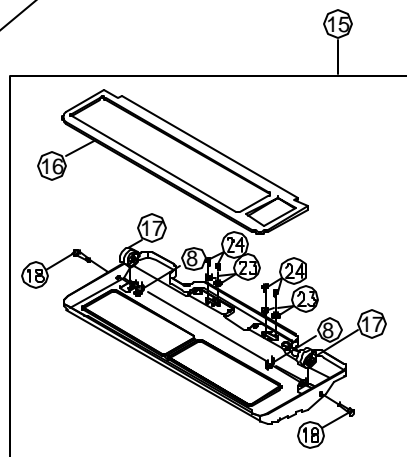
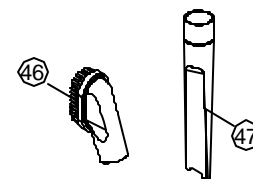
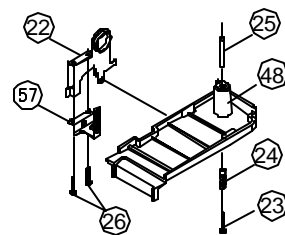
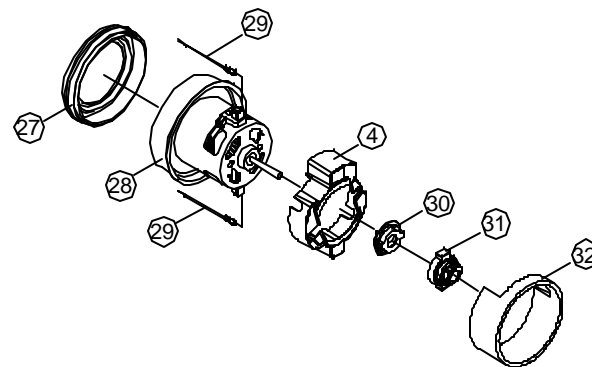
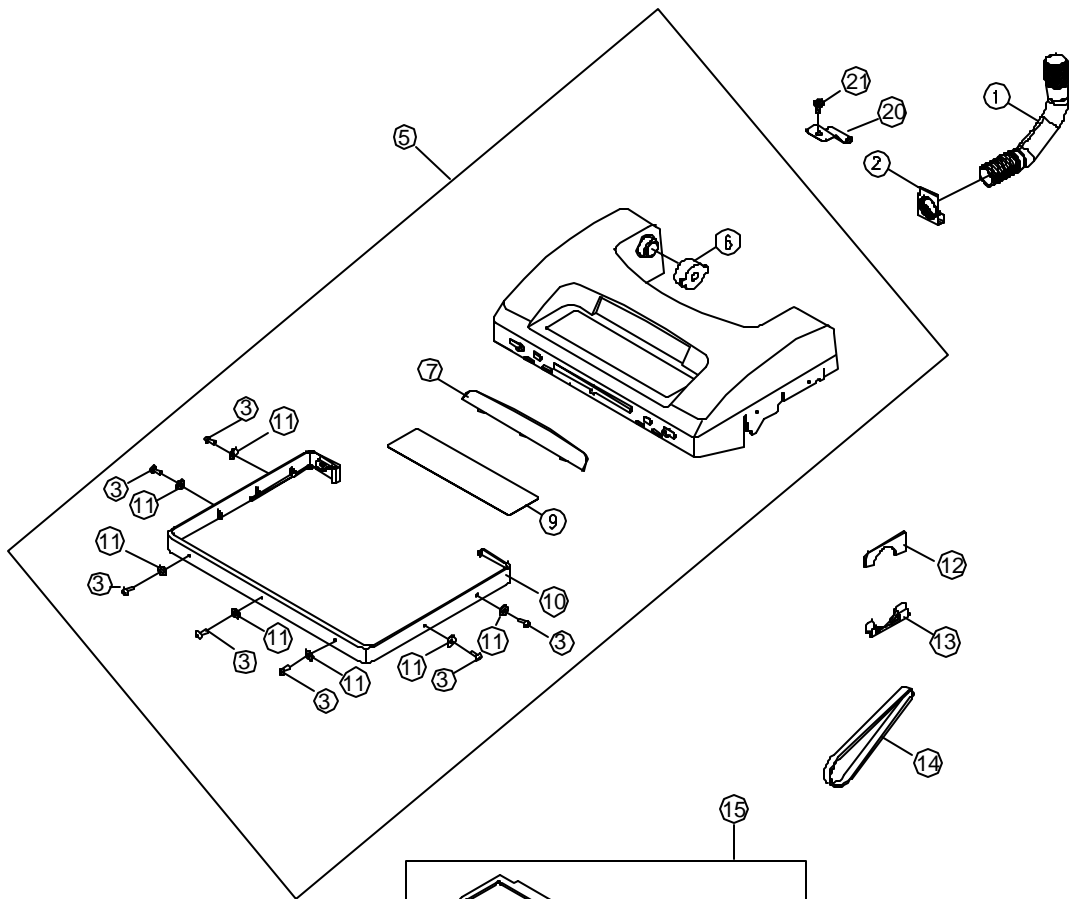


A



KEY	PART NO	DESCRIPTION	KEY	PART NO	DESCRIPTION
1	53.150	Dust Compartment	30	54.135	Rear Wheel Shaft
2	B236-0114	Boot Strain Relief	31	A732-8500	Screw
3	25.104	Seesaw Switch	32	B224-3614E	Motor Cord/Wire Assembly
4	B332-0014	Cord Holder	33	A732-4114	Wire Bushing
5	53.059	Screw	34	B123-0100	Wire Connector
6	54.131	Inner Switch Cover	35	54.136	Axle Clamp
7	A732-4500	Screw	36	A732-7705	Screw
8	06.611	Secondary Filter	37	53.152	On-Board Tools Holder
9	84.103	Motor Cover Seal Kit	38	Z19	Swivel Inlet Gasket
10	54.134	Dust Compartment Seal	39	89.855	Paper Bag Inlet
11	06.163	Paper Bag	40	53.153	Wand Holder
12	53.064	Dust Cover	41	A430-0700	Screw
13	54.123	Latch Spring	42	14.062	Power Cord
14	54.124	Dust Cover Release Handle	43	A232-0100	Handle Screw
15	54.128	Seal f/Inner Switch Cover	44	54.140	Hose Hanger
16	54.129	Wire Harness Cover	45	B324-0400	Handle Fitting
17	54.130	Support Strap	46	53.154	Relief Valve Assembly
18	53.065	Motor Cover	47	53.153	Quick-Draw Attachment Holder
19	A732-8314	Screw	48	53.155	Quick-Draw Clean Out
20	A732-0100	Zip Tie	49	53.168	Washer
21	06.729	Hepa Filter	50	A732-7605	Nut
22	B333-0400B	Thermal Switch	51	C625-0131	Suction Inlet Complete
23	A732-0700	Screw	52	Z12	Suction Inlet Seal
24	B333-0600	Switch Seal	53	53.157	Quick-Draw Wand Assembly
25	53.158	Handle Grip Assembly /Hose	54	53.059	Screw
26	54.127	Rear Wheel Assembly	55	53.161	Stretch Hose Only
27	B210-0531	Rear Wheel	56	53.159	Handle Assembly Complete
28	54.024	Washer	57	B431-2314	Rubber Handle Grip
29	A732-0300	E-Ring	58	G10	Handle End Cap
			59	B352-6900	Cord Clip

B



KEY	PART NO	DESCRIPTION	KEY	PART NO	DESCRIPTION
1	53.163	Nozzle Hose	26	A732-7300	Screw
2	A07	Hose Fitting	27	54.047	Motor Mount
3	53.164	Rivet	28	20.063	Motor
4	53.073	Motor Shroud	29	54.149	Temperature Wire
5	53.114	Nozzle Housing w/Furniture Guard	30	54.150	Motor Mount
6	84.200	Plastic Housing	31	B123-1300	Pivot Sleeve
7	53.166	Lens Plate Black	32	B123-1900	Sound Suppressor
8	A732-2100	Base Plate Springnut	33	10.130	Pinned Brush Roll Assembly Complete
9	53.072	Topper Mark	34	B012-0214	Rubber End Cover (Left)
10	53.167	Furniture Guard	35	B012-0700	Left Cover
11	53.168	Washer	36	B012-0600	Felt Cover
12	A09	Felt Packing	37	08.008	Bearing
13	B017-1200	Vented Support Fitting	38	B08S	Agitator Bearing Holder
14	09.104	Belt	39	10.133	Agitator Brush
15	54.006	Bottom Plate Assembly	40	B07S	Agitator Pulley
16	B021-0200	Packing Lower Plate Assembly	41	B624-0100	Spacing Spring
17	B010-0413	Base Plate Wheel	42	B012-0800	Right Cover
18	B010-0500	Base Plate Wheel Pin	43	B012-0114	Rubber End Cover (Right)
19	A732-2000	Bottom Plate Set Screw	44	B012-1000	Agitator Shaft
20	53.088B	Positioning Spring	45	A732-0400	Spring Clip
21	53.169	Screw	46	54.152	Round Bursh (Natural Bristles)
22	54.147	Pedal Frame	47	54.153	Crevice Tool
23	53.170	Screw	48	53.173	Belt Cover
24	53.171	Spring	49	A732-0200	E-Clip
25	53.172	Spring Pin			