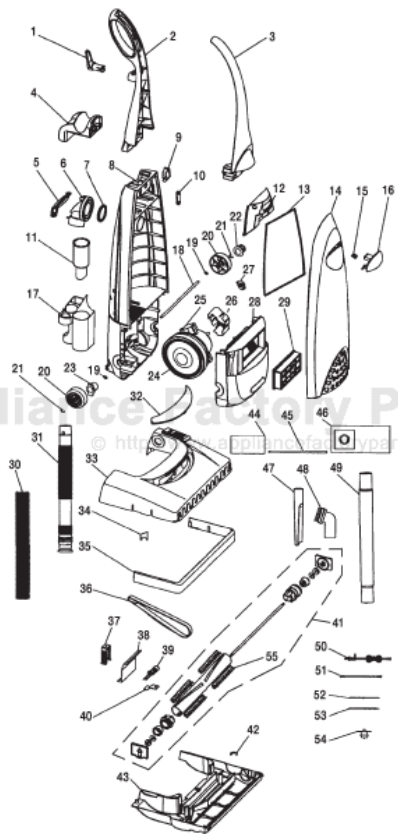


This Owner's Manual is provided and hosted by [Appliance Factory Parts](#).



# FULLER BRUSH FB95 Owner's Manual

[Shop genuine replacement parts for FULLER BRUSH  
FB95](#)



[Find Your FULLER BRUSH Vacuum Cleaner Parts - Select From 23 Models](#)

----- Manual continues below part list -----

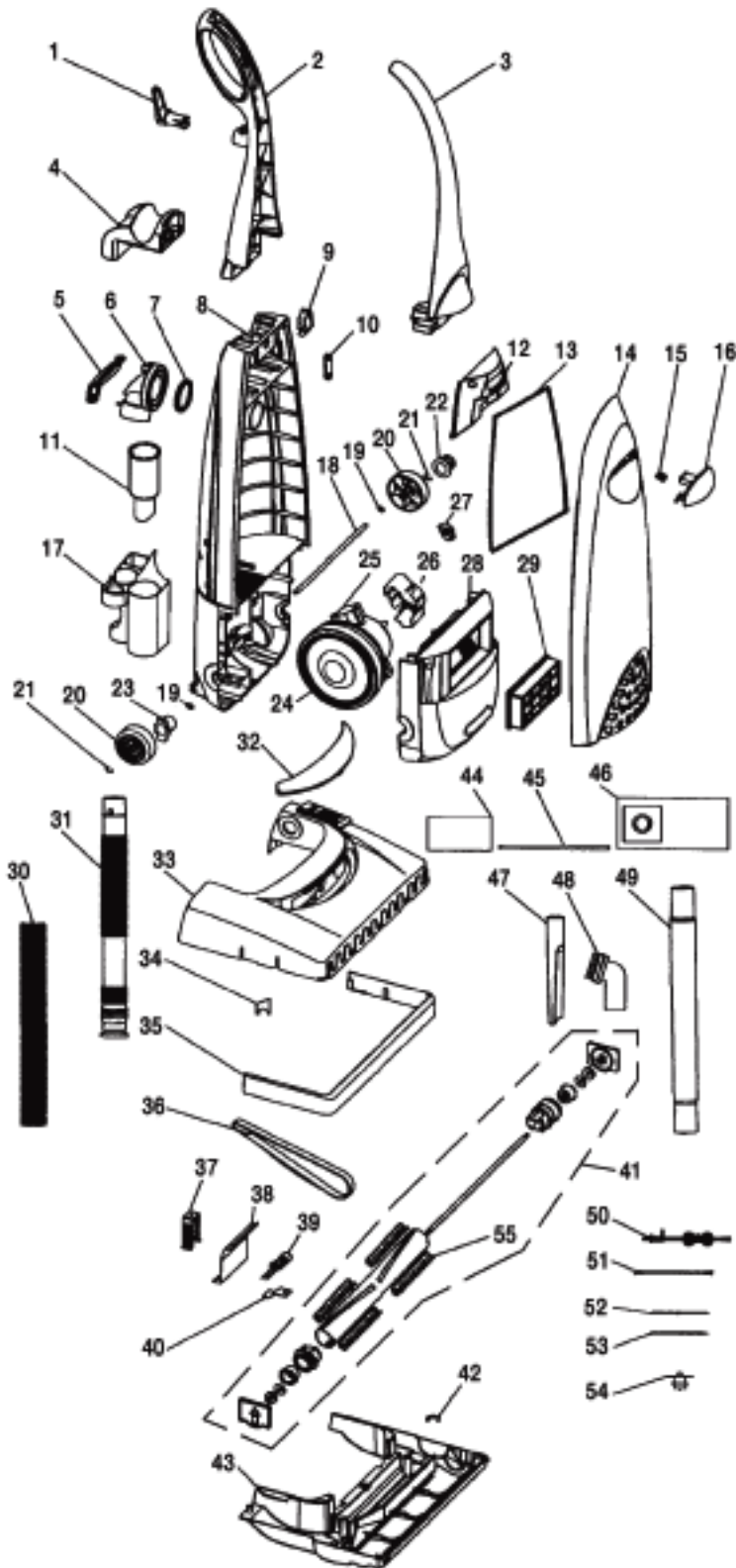
## Available Replacement Parts for FULLER BRUSH FB95

|                             |                              |
|-----------------------------|------------------------------|
| <a href="#">FB-1800</a>     | HEPA FILTER, EXHAUST         |
| <a href="#">PR-1015</a>     | BELT, FLAT, UPRIGHTS, 1 PACK |
| <a href="#">RSR-1431-10</a> | PAPER BAG 10 PACK            |

# FULLER BRUSH

# Original & Replacement

Models FB-90, FB-95, FB-90T, FB-95T



# Original & Replacement

# FULLER BRUSH

## Models FB-90, FB-95, FB-90, FB-95T

| KEY | PART NO  | DESCRIPTION                 |
|-----|----------|-----------------------------|
| 1   | FB-70508 | Upper Cord Hook FB90/FB95   |
| 1   | FB-70510 | Upper Cord Hook FB90T/FB95T |
| 2   | FB-70251 | Handle Rear                 |
| 3   | FB-70250 | Handle Front                |
| 4   | FB-75079 | Hose Supporter FB90T/FB95T  |
| 5   | FB-75050 | Suction Inlet Cover         |
| 6   | CP-75015 | Suction Inlet               |
| 7   | CP-76016 | Suction Inlet Seal          |
| 8   | FB-75010 | Dust Compartment            |
| 9   | FB-34000 | Switch                      |
| 10  | CP-32619 | Cord Cover                  |
| 11  | CP-45020 | Hose Cuff                   |
| 12  | CP-34521 | Switch Cover                |
| 13  | CP-76022 | Dust Compartment Seal       |
| 14  | FB-75500 | Dust Cover FB90/FB90T       |
| 14  | FB-75505 | Dust Cover FB95/FB95T       |
| 15  | FB-77025 | Dust Cover Lever Spring     |
| 16  | FB-75025 | Dust Cover Lever            |
| 17  | FB-72000 | Tool Holder FB90T/FB95T     |
| 18  | FB-71027 | Rear Wheel Axle             |
| 19  | FB-71000 | Rear Wheel Washer           |
| 20  | FB-71005 | Rear Wheel                  |
| 21  | FB-71001 | Rear Wheel Clip             |
| 22  | CP-71031 | Rear Wheel Bushing          |
| 23  | CP-71032 | Rear Wheel Bushing Right    |
| 24  | CP-53033 | Motor Mount Rear Large      |
| 25  | FB-60000 | Motor FB90/FB95             |
| 25  | FB-60005 | Motor FB90T/FB95T           |
| 26  | CP-62035 | Motor Sponge                |
| 27  | CP-62036 | Motor Mount Front Small     |
| 28  | FB-53037 | Motor Cover                 |
| 29  | FB-18000 | Hepa Filter Exhaust         |
| 29  | CP-18250 | Filter Exhaust              |

| KEY | PART NO     | DESCRIPTION                       |
|-----|-------------|-----------------------------------|
| 30  | FB-40000    | Hose Assembly Stretch FB90T/FB95T |
| 31  | FB-40010    | Hose Lower FB90/FB95              |
| 31  | FB-40005    | Hose Lower FB90T/FB95T            |
| 32  | CP-73304    | Light Lens                        |
| 33  | FB-73005    | Nozzle Housing Gray FB90/FB95     |
| 33  | FB-73010    | Nozzle Housing Black FB90T/FB95T  |
| 34  | CP-20342    | Felt Seal Brushroll               |
| 35  | FB-74000    | Furniture Guard                   |
| 36  | FB-10000    | Belt                              |
| 36  | PR-1015     | Belt                              |
| 37  | CP-20344    | Belt Guide                        |
| 37  | CP-20344    | Belt Guide                        |
| 38  | N/A         |                                   |
| 39  | CP-35046    | Light Bulb                        |
| 40  | FB-77000    | Bottom Plate Spring               |
| 41  | FB-20000    | Brushroll Complete Metal          |
| 42  | CP-20048    | Felt Seal Brushroll               |
| 43  | FB-76000    | Bottom Plate                      |
| 44  | FB-18020    | Secondary Filter All Models       |
| 45  | N/A         |                                   |
| 46  | FB-14000    | Paper Bag 6Pk                     |
| 46  | FB-14000-12 | Paper Bag 12PK                    |
| 47  | CP-54065    | Crevice Tool FB90T/FB95T          |
| 48  | FB-53000    | Utility Brush FB90T/FB95T         |
| 49  | CP-50159    | Wand Assembly FB90T/FB95T         |
| 50  | CP-30404    | Power Cord 30' 17/2 Black         |
| 50  | FB-30000    | Power Cord 40' 17/3 Red           |
| 51  | N/A         |                                   |
| 52  | N/A         |                                   |
| 53  | N/A         |                                   |
| 54  | CP-34054    | Thermal Switch                    |
| 55  | FB-22000    | Brush Strip                       |