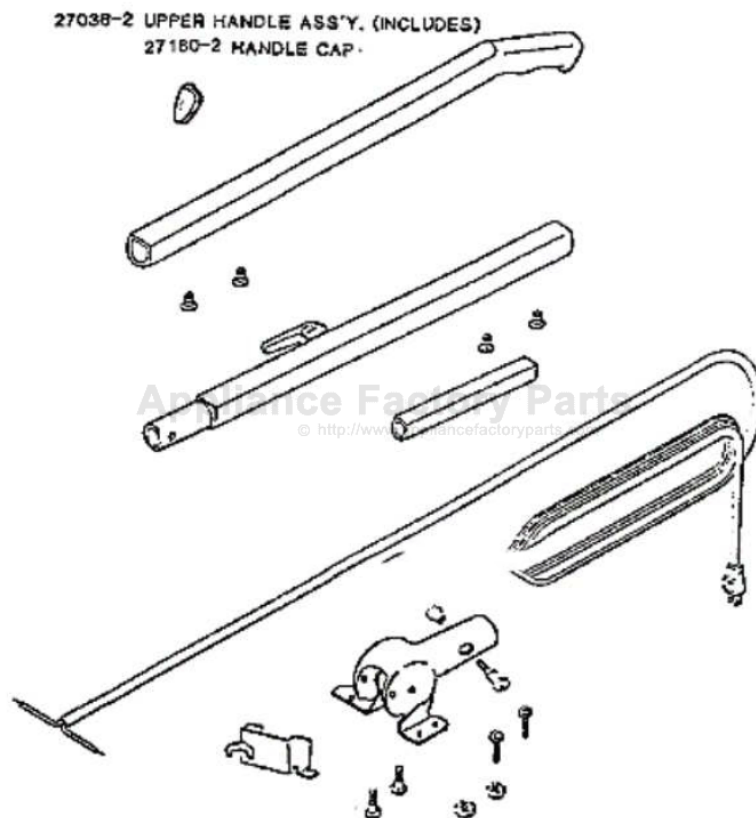


This Owner's Manual is provided and hosted by [Appliance Factory Parts](http://www.appliancefactoryparts.com).



Eureka 1934A Owner's Manual

[Shop genuine replacement parts for Eureka 1934A](#)



[Find Your Eureka Vacuum Cleaner Parts - Select From 855 Models](#)

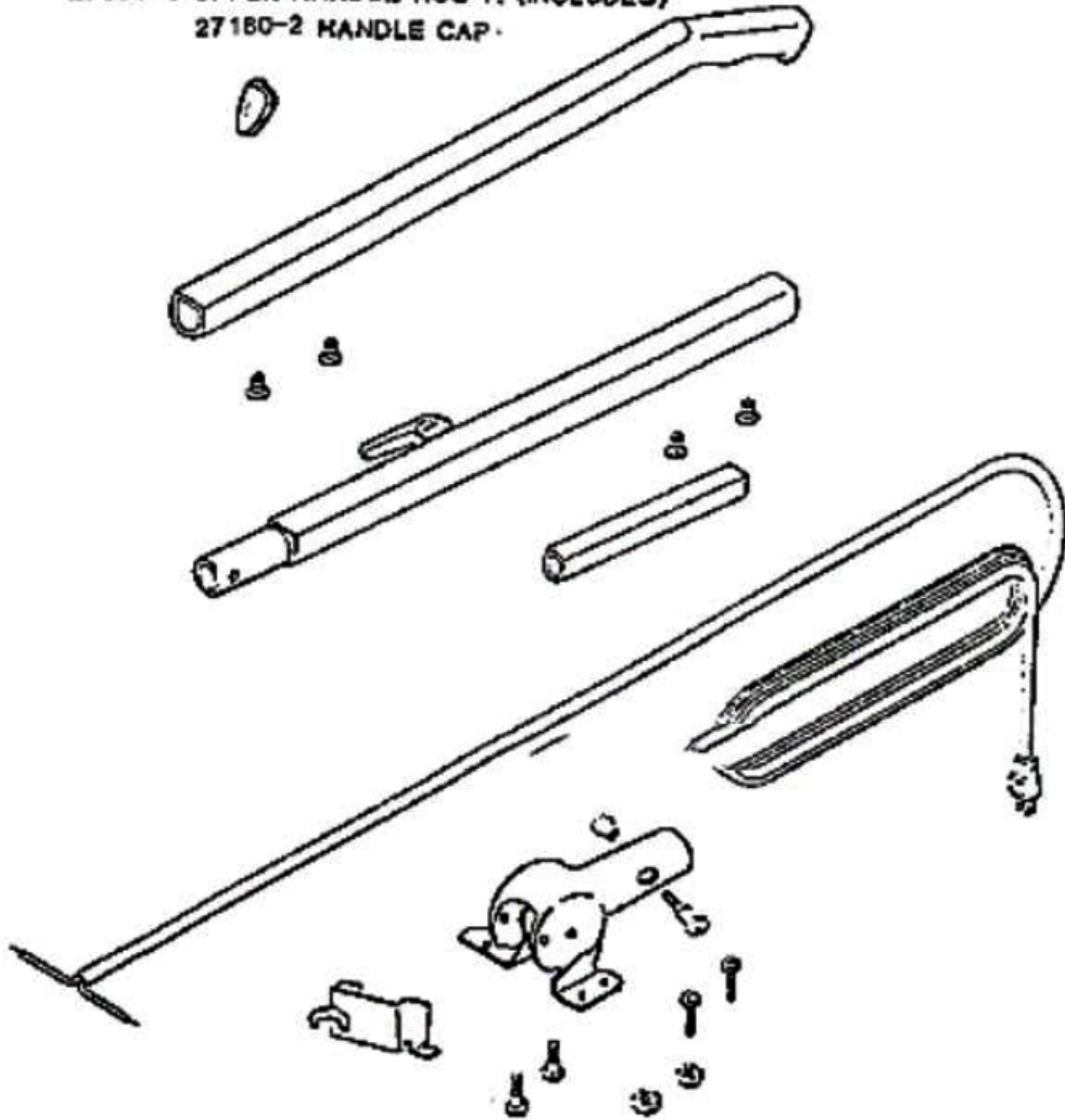
----- Manual continues below part list -----

Available Replacement Parts for Eureka 1934A

[535363](#)

Cover For DN25G

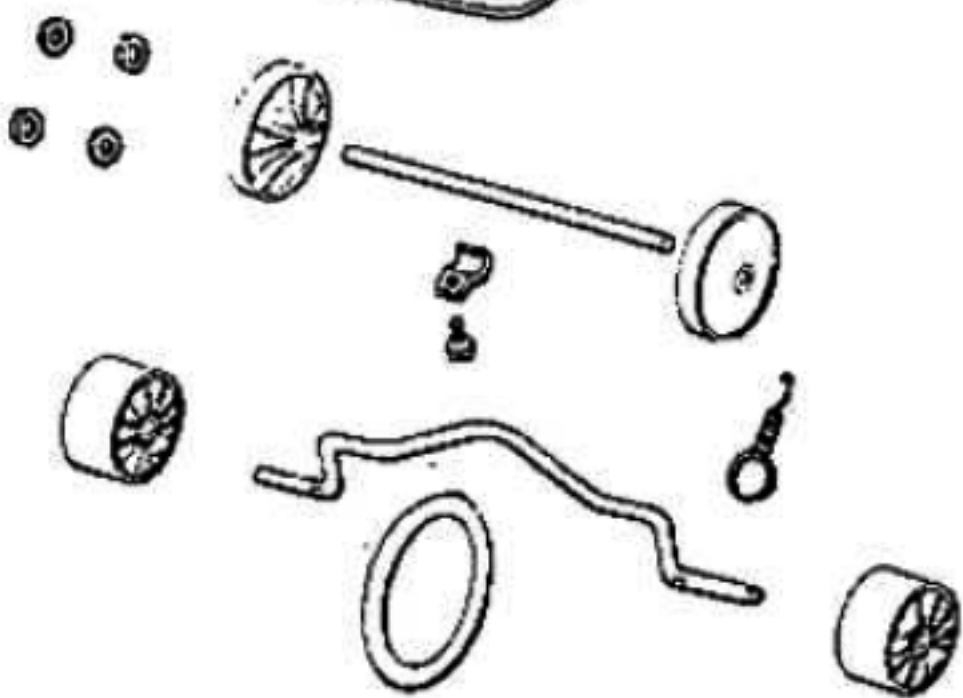
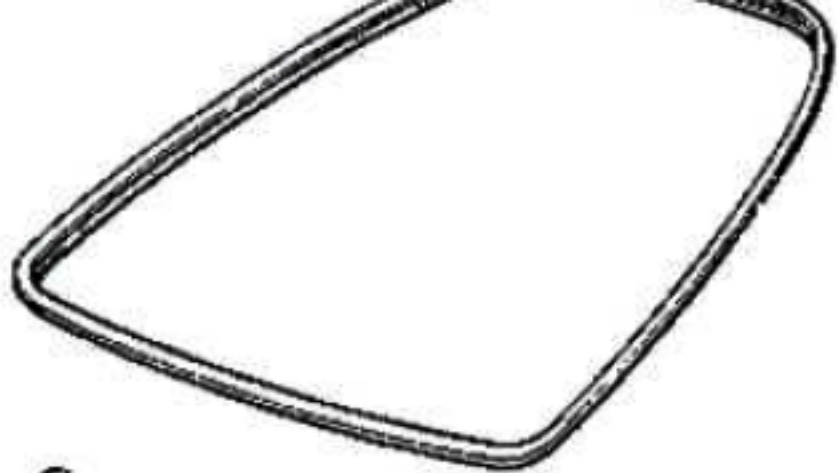
27038-2 UPPER HANDLE ASS'Y. (INCLUDES)
27180-2 HANDLE CAP.



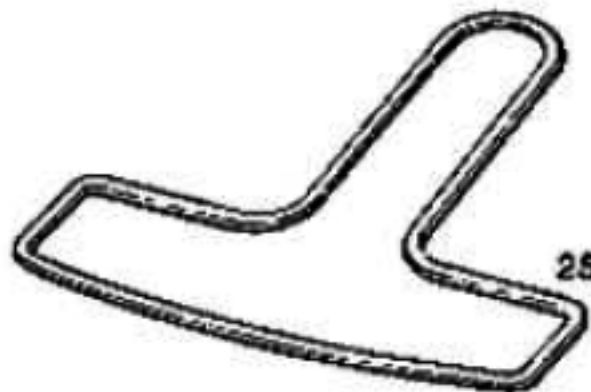
Ref #	Part	Description	Comments	Qty
1	01681-2	HANDLE - LOWER		
2	26659-1	CONNECTOR - HANDLE		
3	27036-2	HANDLE KIT - UPRIGHT		
4	27137-2	HANDLE SOCKET ASSEMBLY		
5	27180-2	HANDLE KIT - UPRIGHT		
6	27382-2	CORD - LOW LEAD (18 GA)		
7	37157	SHIELD - HANDLE SOCKET		
8	53145	BOLT PACKAGE (10)		
9	53198-1	HANDLE SCREW ASSY PACKAGE		
10	53213-5	NUTS - PACKAGE 10		
11	53238-13	SCREW PACKAGE		
12	53536-3	SNAP PIN - PACKAGED		



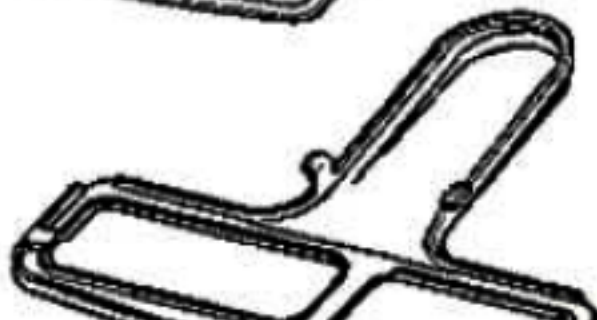
2	24834A-1	PEDAL - FOOT		
3	24964A	CAM (RIGHT)		
4	24965A	CAM (LEFT)		
5	30517	GASKET - MOTOR SEAL		
6	36263	COVER - WHEEL		
7	37590	BRACKET - BUSHING		
8	37989	CLIP - SWITCH		
9	38053-1	KNOB ASSEMBLY		
10	53097	SPRING - FOOT PEDAL PKG (
11	53117	SPRING - HOOD PACKAGE (10		
12	53118	RIVET - SHOULDER PACKAGE		
13	53133	STEEL WASHERS - PACKAGE 1		
14	53140	CLAMP & SCREW ASSY PKG		
15	53143	SCREW PACKAGE (10)		
16	53214-1	WIRE SPLICE 5		
17	53228-7	SCREWS - PACKAGE 10		
18	53238-13	SCREW PACKAGE		
19	53238-14	SCREW PACKAGE		
20	53349-7	MOTOR ASSEMBLY - CARTONED		
21	54004-2	BASE ASSEMBLY - CARTONED		
22	54151-2	SWITCH ASSEMBLY		
23	54314-5	HOOD & GRAPHICS ASSY - PK		
24	55446	NUT - SWITCH		



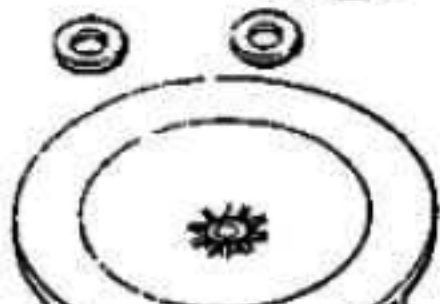
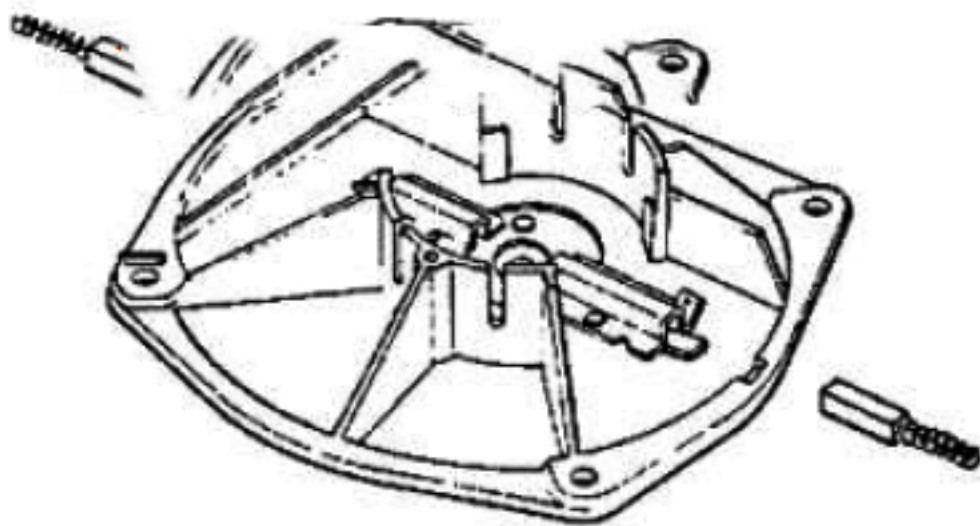
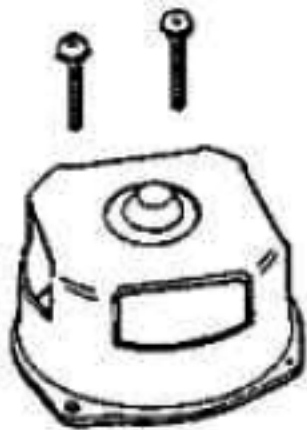
5410410 OF (INCLUDES)
53900 UNIT WEIGHTS ROST.
53068 DISTRIBUTOR CAP (PKG. OF 2)



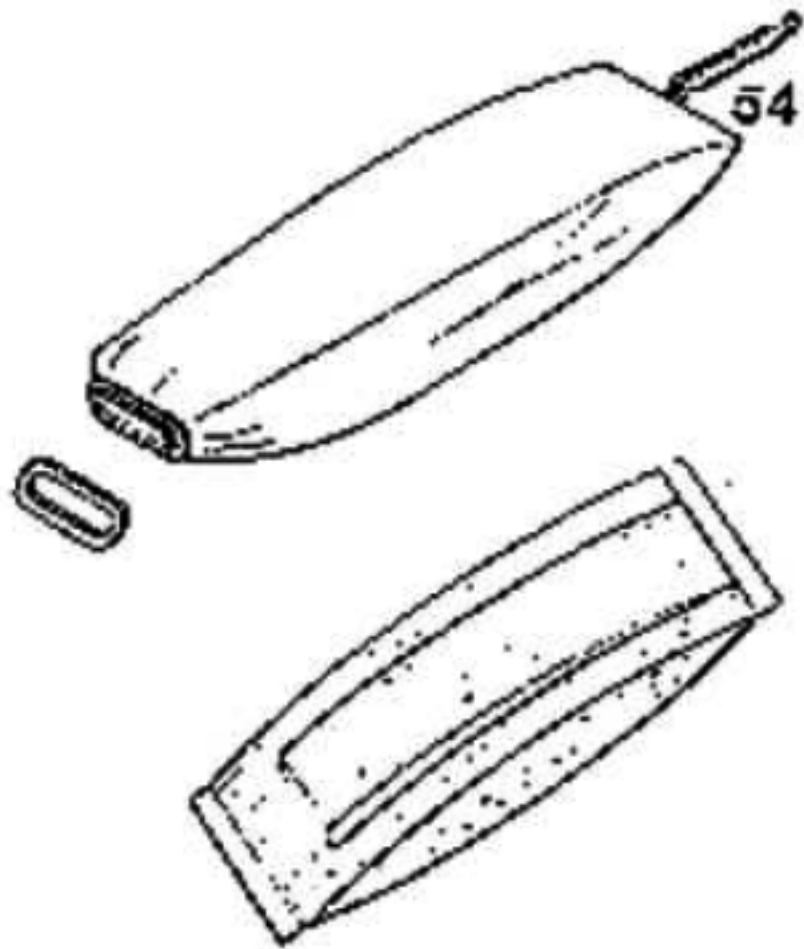
25922-1 BOTTOM PLATE (INCLUDES)
46538 GASKET



Ref #	Part	Description	Comments	Qty
1	25922-1	BOTTOM PLATE ASSEMBLY		
2	35858-1	WHEEL - REAR		
3	35859A-1	WHEEL - FRONT		
4	35947A	AXLE - FRONT		
5	36999-31	GUARD - FURNITURE		
6	38138	CAP & BEARING ASSEMBLY		
7	46538	TAPE - FOAM		
8	47562	AXLE - REAR		
9	53066	CAP - COVER		
10	53076-2	SPRING & AXLE PACKAGE (6)		
11	53111	CLIP PACKAGE (5)		
12	53238-11	SCREW PACKAGE		
13	54104-1	DISTURBULATOR REPLACEMENT		
14	57346	WASHER PACKAGE		
15	30563A	BELT - DISTURBULATOR DRIV		



Ref #	Part	Description	Comments	Qty
1	12988-1	FAN BLOWER - MOTOR		
2	25172A-1	MOTOR BRUSH ASSEMBLY		
3	49507	PULLEY - MOTOR DRIVE		
4	53131-1	SCREW PACKAGE (10)		
5	53148	WASHER - FAN PACKAGE (10)		
6	53188-1	WASHER PACKAGE		
7	53470-3	ARMATURE - CARTONED		
8	53901-2	FIELD ASSEMBLY - PKG		
9	54171-1	MOTOR BASE ASSEMBLY		
10	54172	MOTOR FAN END HOUSING ASS		



54175-1 ADAPTER, SLEEVE &
GASKET ASS'Y. (INCLUDES)
55106 GASKET

57588 HARDWARE PKG.
1-HANDLE TUBE CONNECTOR
2-HANDLE SCREW ASS'Y.
4-SNAP PIN
2-SCREW

NOT ILLUSTRATED
48410 GARTER SPRING
48801 TIE WIRE

401

Ref #	Part	Description	Comments	Qty
1	47722	SPRING - BAG		
2	48410	SPRING - GARTER		
3	48801	WIRE - TIE		
4	52320	PAPER BAG PKG ASSY STYLE		
5	53977-17	BAG ASSEMBLY - PACKAGED		
6	54175-1	ADAPTER - BAG		
7	55106	GASKET - BAG ADAPTER		
8	57588	HARDWARE PACKAGE - UPRIGH		