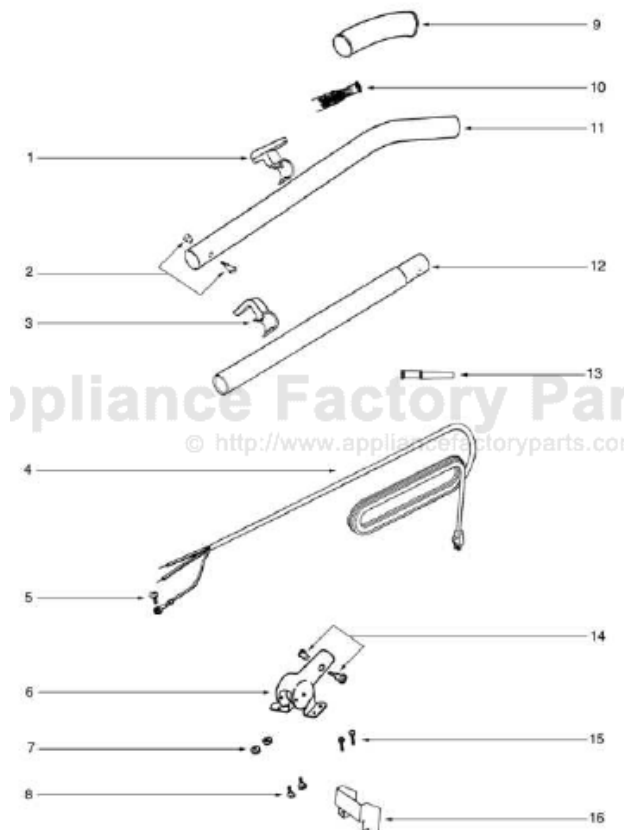


This Owner's Manual is provided and hosted by [Appliance Factory Parts](http://www.appliancefactoryparts.com).



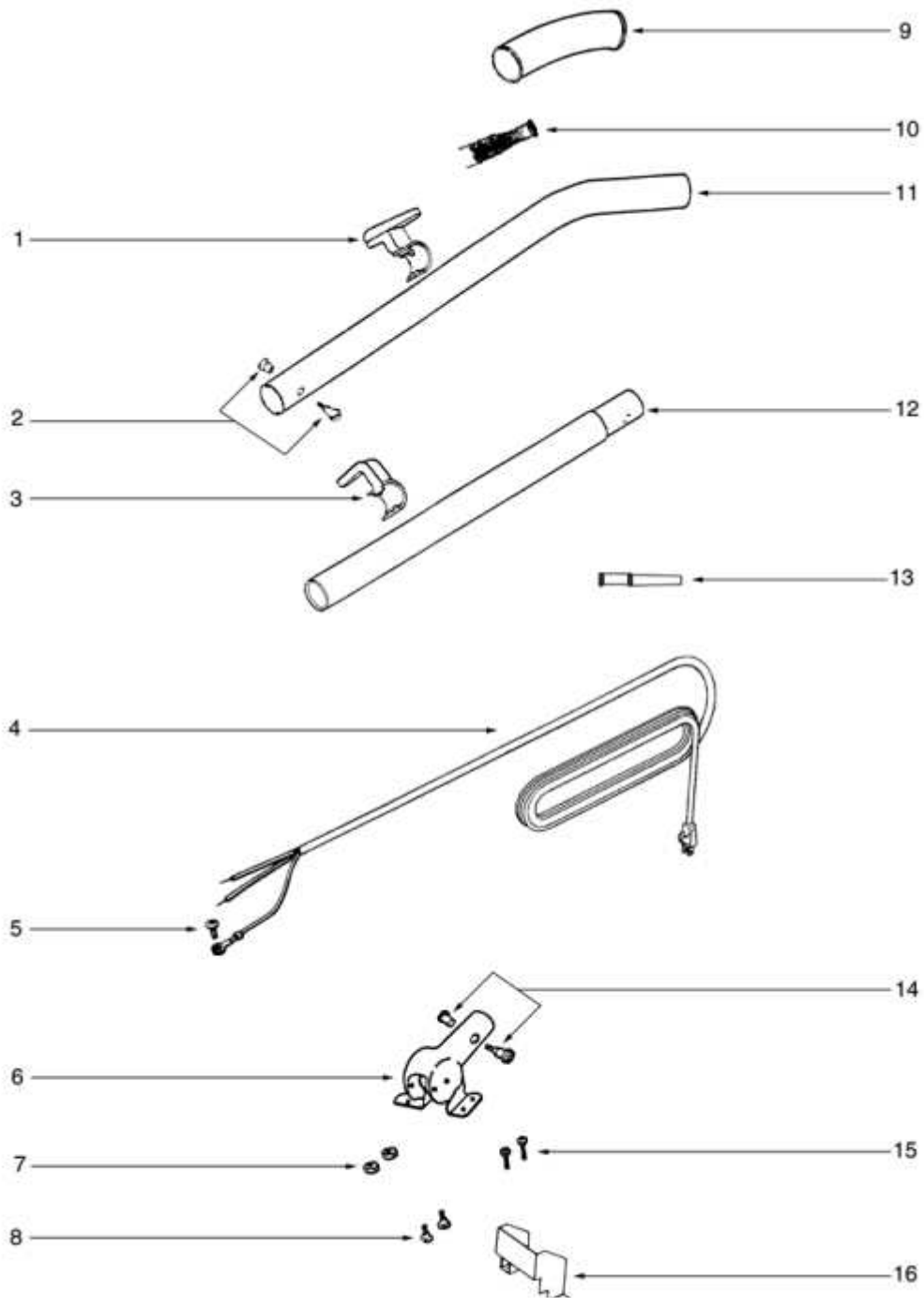
Eureka 1950A Owner's Manual

[Shop genuine replacement parts for Eureka 1950A](#)

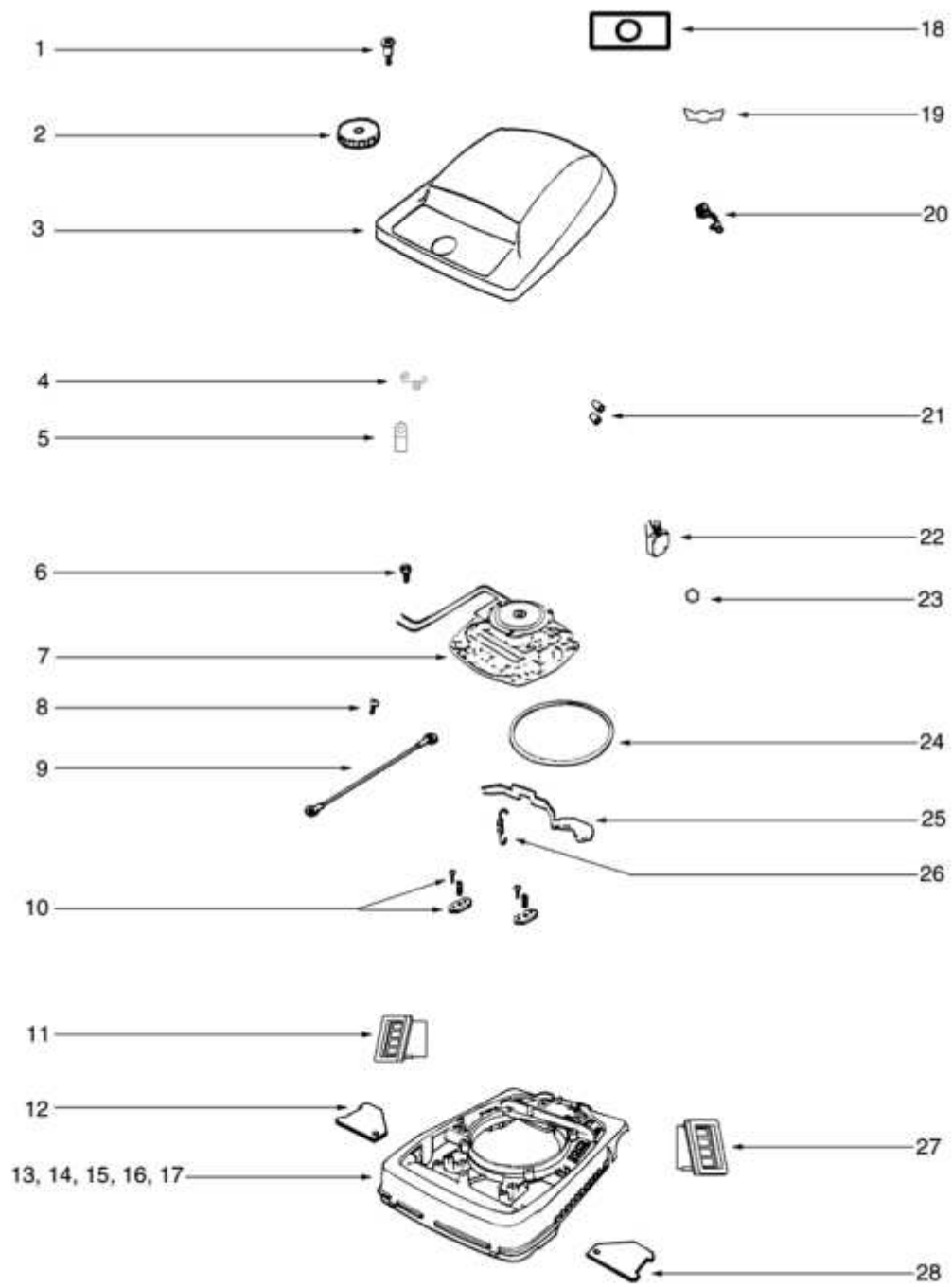


[Find Your Eureka Vacuum Cleaner Parts - Select From 853 Models](#)

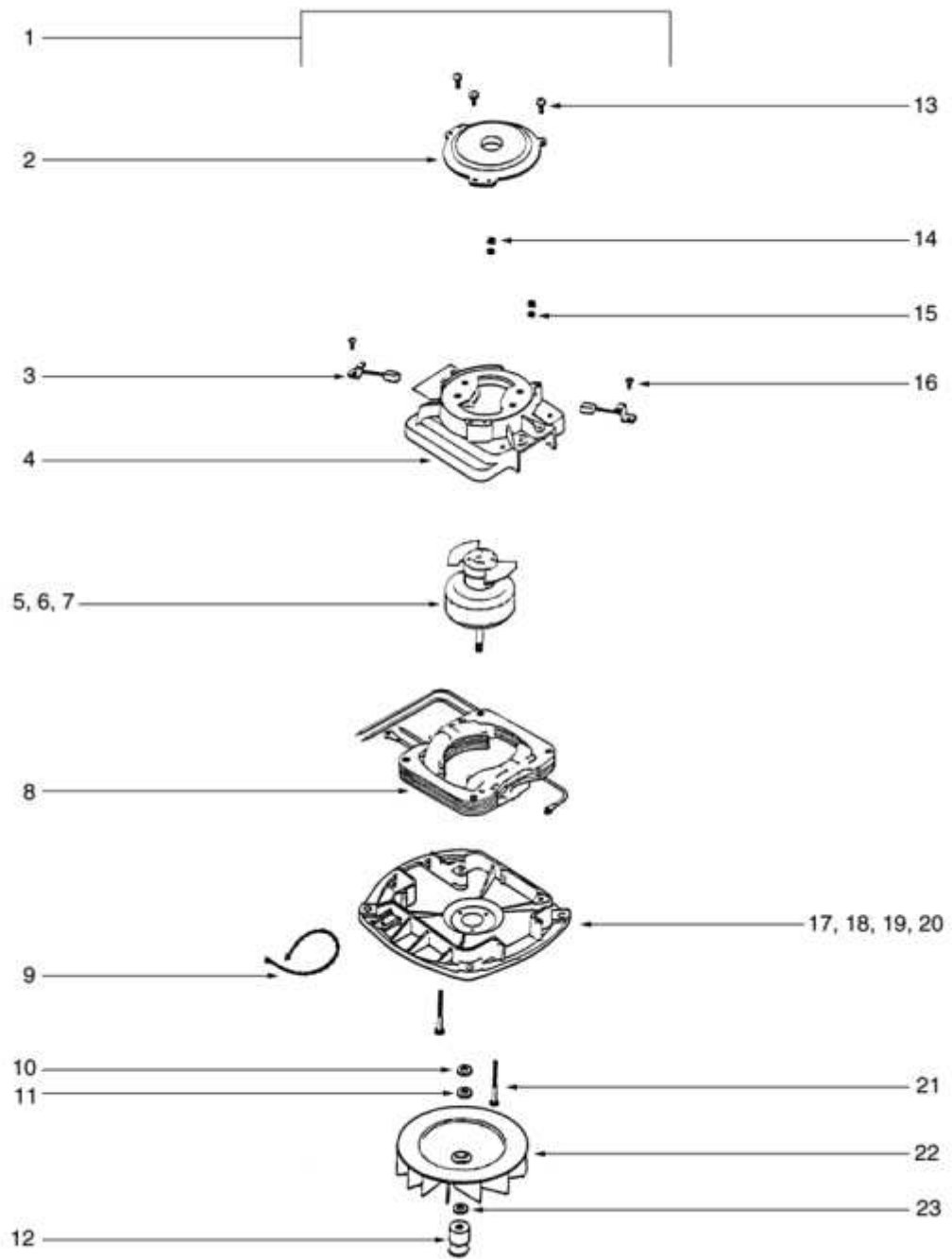
----- Manual continues below -----



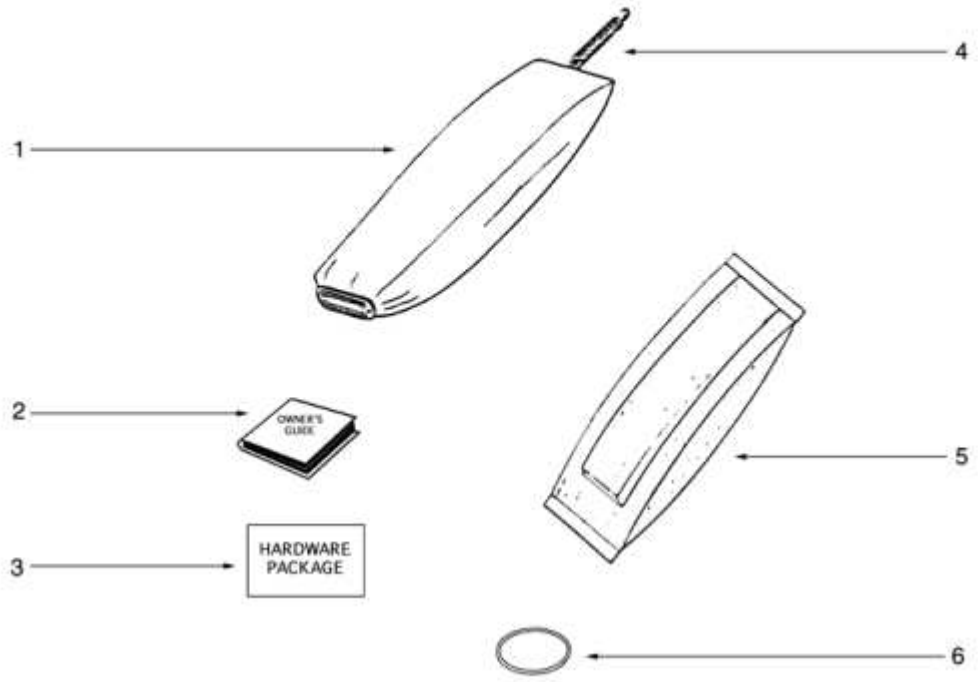
Ref #	Part	Description	Comments	Qty
1	36965-2	CORD RETAINER ASSY-BLACK		
3	13521-2	RETAINER - CORD (LOWER)		
4	39630-1	CORD - LOW LEAD (18 GA)		
6	38183-1SV	HANDLE SOCKET ASSEMBLY		
7	53213-5	NUTS - PACKAGE 10		
8	53145	BOLT PACKAGE (10)		
9	25103A-4	GRIP - HANDLE		
10	53077	SPRING - STRAIN RELIEF PK		
11	26176-4SV	HANDLE ASSEMBLY (UPPER)		
12	12637-8	TUBE - HANDLE (LOWER)		
13	36097-3	SLEEVE		
14	53198-1	HANDLE SCREW ASSY PACKAGE		
15	53238-13	SCREW PACKAGE		
16	36439	SHIELD - HANDLE SOCKET		



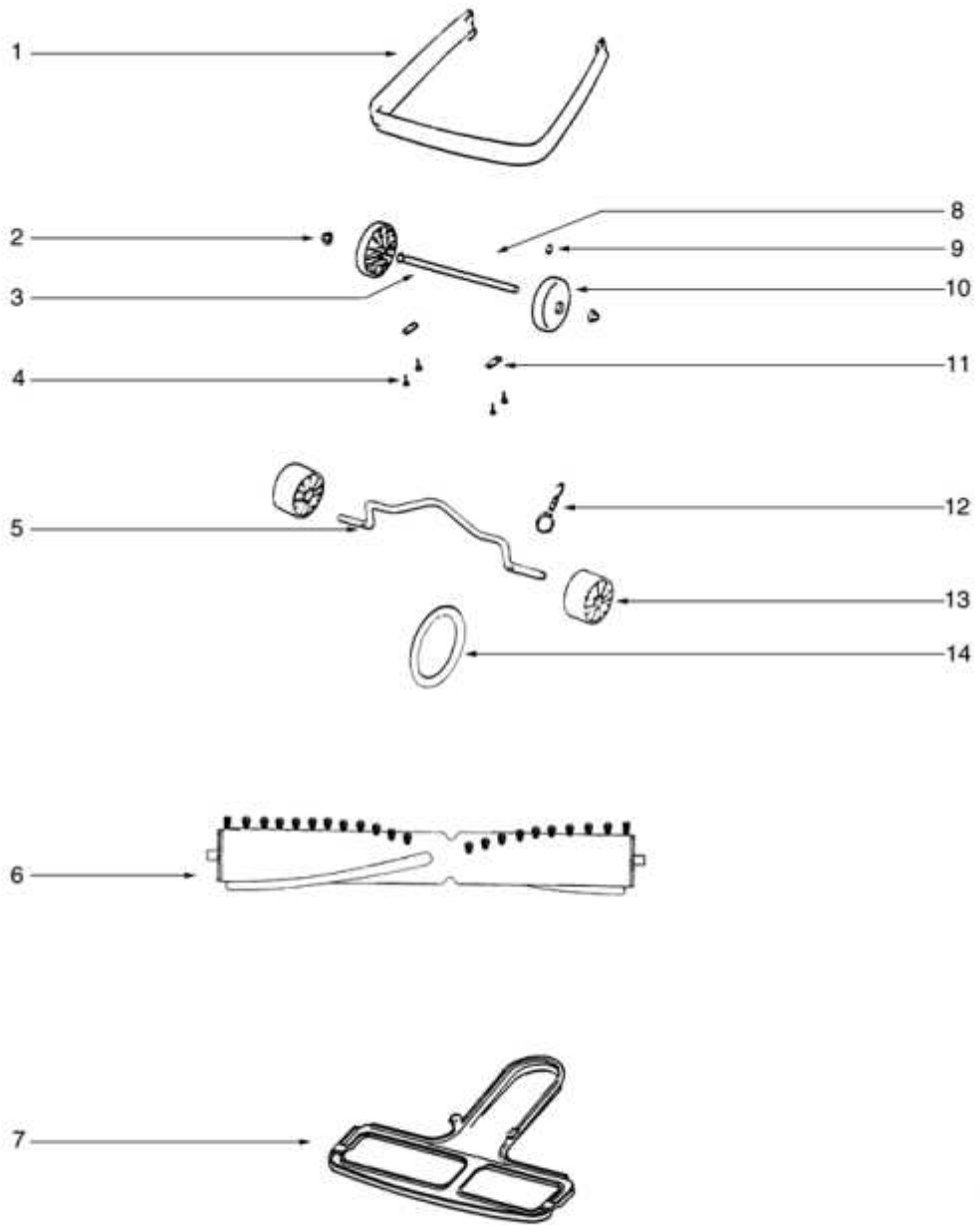
Ref #	Part	Description	Comments	Qty
1	53143	SCREW PACKAGE (10)		
2	26834-1	ADJUSTMENT KNOB		
3	54097-4	HOOD & NAMEPLATE ASSY - P		
4	53117	SPRING - HOOD PACKAGE (10)		
5	53160	CABLE CLAMP PACKAGE		
6	53238-14	SCREW PACKAGE		
7	54352-3	MOTOR ASSEMBLY - PACKAGED		
8	53228-2	SCREWS - PACKAGE 10		
9	55296	WIRE & TERMINAL ASSEMBLY		
10	53140	CLAMP & SCREW ASSY PKG		
11	56379	AIR INLET DUCT (R.H.)		
13	54408-9	BASE ASSEMBLY - 12" - CAR		
14	24964A-1	CAM (RIGHT)		
15	24965A-1	CAM (LEFT)		
16	53118	RIVET - SHOULDER PACKAGE		
17	53133	STEEL WASHERS - PACKAGE 1		
18	73192	NAMEPLATE		
19	73193	BADGE - DECAL		
20	53122-3	STRAIN RELIEF BUSHING - P		
21	60192-1	WIRE SPLICE 5		
22	36409-13	SWITCH - PUSH		
23	55446	NUT - SWITCH		
24	30517	GASKET - MOTOR SEAL		
25	24834A-4	FOOT PEDAL		
26	53097	SPRING - FOOT PEDAL PKG (
27	56380	AIR INLET DUCT (L.H.)		
28	36263	COVER - WHEEL		



Ref #	Part	Description	Comments	Qty
1	54352-3	MOTOR ASSEMBLY - PACKAGED		
3	30478	MOTOR BRUSH ASSEMBLY		
4	54396	MOTOR COVER ASSEMBLY - LA		
5	54425-3	KIT - ARMATURE REPLACEMENT		
7	30474A	FAN - MOTOR COOLING		
8	53441-2	FIELD ASSEMBLY - PACKAGED		
9	46713-1	TIE - CABLE (PURCHASED)		
10	54811	FAN WASHER - PACKAGED		
12	37012-2	PULLEY - MOTOR DRIVE		
13	53138	SCREWS - PACKAGE 10		
14	56817	NUT - HEX 8-32		
15	53222-4	LOCKWASHERS - PACKAGE 10		
16	53219-2	SCREWS - PACKAGE 10		
17	54169-1	MOTOR BASE ASSEMBLY		
18	20217E	RETAINER - UPPER BEARING		
19	53088-5	BALL BEARING - PACKAGE		
20	53187-1	RIVET PACKAGE		
21	53142	SCREW PACKAGE (10)		
22	12988	FAN BLOWER - MOTOR		
23	53148	WASHER - FAN PACKAGE (10)		



Ref #	Part	Description	Comments	Qty
1	53977-31	BAG ASSEMBLY - PACKAGED		
2	73194	OWNER'S GUIDE		
3	73213	HARDWARE PACKAGE		
4	47722	SPRING - BAG		
5	57695A	PAPER BAG PACKAGE ASSY (F		
6	48410	SPRING - GARTER		



Ref #	Part	Description	Comments	Qty
1	28504-1	GUARD - FURNITURE		
2	53121	PUSH NUT PACKAGE (10)		
3	37183	AXLE - REAR		
4	53238-11	SCREW PACKAGE		
5	35947A	AXLE - FRONT		
6	53350-3	DISTURBULATOR ASSY - CART		
7	25922-1	BOTTOM PLATE ASSEMBLY		
8	60161	WHEEL & AXLE ASSY		
9	53110	WASHER - WHEEL PACKAGE (1)		
10	26242-119N	WHEEL - REAR		
11	53201	CLAMPS - PACKAGE 10		
12	53076-2	SPRING & AXLE PACKAGE (6)		
13	35859A-1	WHEEL - FRONT		
14	52100A	BELT PKG ASSY (UPRIGHT)		