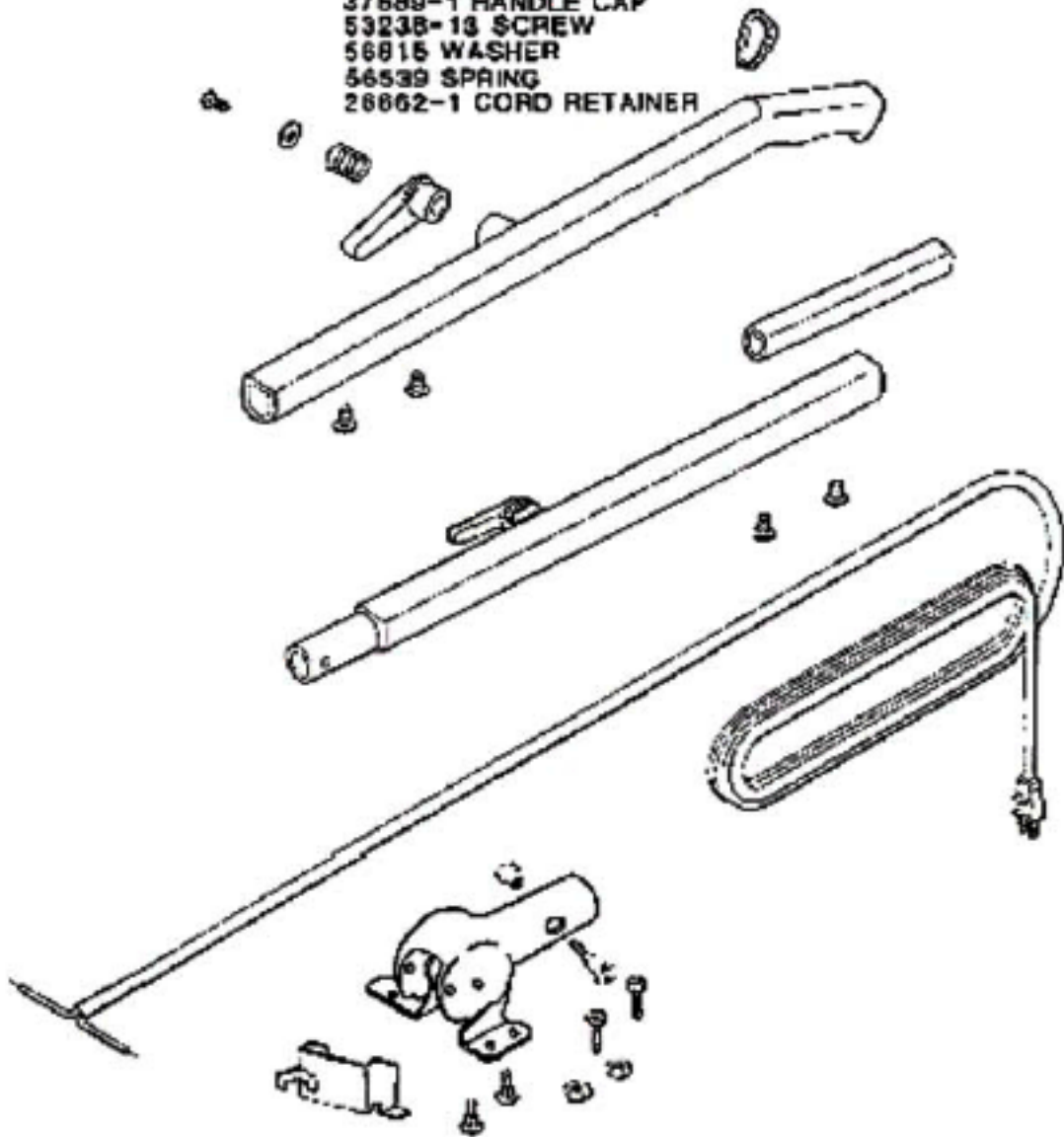
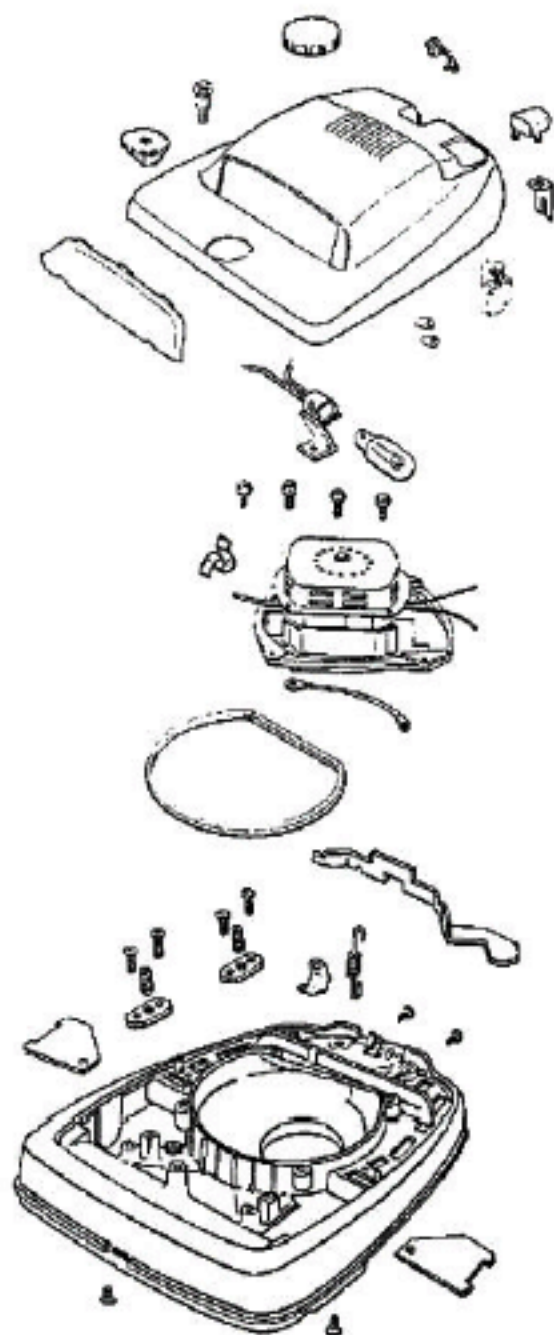


26894-1 UPPER HANDLE ASS'Y. (INCLUDES)
37689-1 HANDLE CAP
53238-13 SCREW
56815 WASHER
56539 SPRING
26862-1 CORD RETAINER



PARTS4 - 2118B

Ref #	Part	Description	Comments	Qty
1	01681-1	HANDLE - LOWER		
2	26659-1	CONNECTOR - HANDLE		
3	26662-1	HANDLE KIT - UPRIGHT		
4	26894-1	HANDLE KIT - UPRIGHT		
5	27137-1	HANDLE SOCKET & FOOT PEDA		
6	34732-14	CORD - LOW LEAD (18 GA)		
7	37157	SHIELD-HDLE SOCKET		
8	37688-1	SNAP PIN - PACKAGED		
9	53145	BOLT PACKAGE (10)		
10	53238-13	SCREW PACKAGE		
11	56815	WASHER - PACKAGED		
12	EW14-10ZP	NUTS - PACKAGE 10		



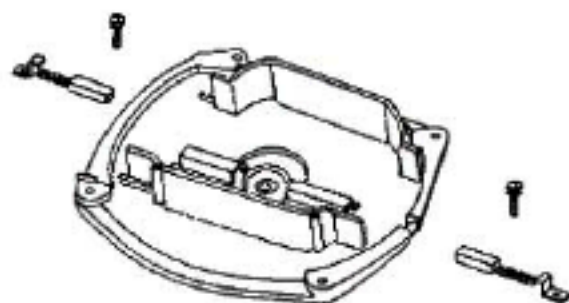
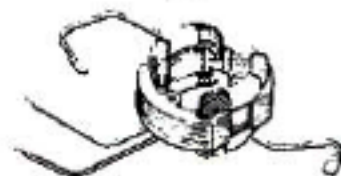
49083-25 BASE ASS'Y.
24964A CAM (RH)
24965A CAM (LH)
53118 RIVET (PKG. OF 10)
53133 WASHER (PKG. OF 10)

PARTS1 - 2116B

Ref #	Part	Description	Comments	Qty
1	13738-5	SWITCH ASSEMBLY		
2	14193-1	LENS - HOOD		
3	14302-2	KNOB - 8 POSITION		
4	24834A-1	PEDAL - FOOT		
5	24964A	CAM (RIGHT)		
6	24965A	CAM (LEFT)		
7	26307	TIE - CABLE (PURCHASED)		
8	26808-2	BUTTON - SWITCH		
9	30517	GASKET - MOTOR SEAL		
10	35958A	HEADLAMP SOCKET ASSEMBLY		
11	36263	COVER - WHEEL		
12	37590	BRACKET - BUSHING		
13	37989	CLIP - SWITCH		
14	38054-2	GRIP ASSEMBLY		
15	40009A	LAMP - HEADLIGHT		
16	49063-25	BASE ASSEMBLY - CARTONED		
17	53089-1	BUSHING & STRAIN RELIEF P		
18	53097	SPRING - FOOT PEDAL PKG (
19	53118	RIVET - SHOULDER PACKAGE		
20	53133	STEEL WASHERS - PACKAGE 1		
21	53140	CLAMP & SCREW ASSY PKG		
22	53143	SCREW PACKAGE (10)		
23	53214-1	WIRE SPLICE 5		
24	53228-7	SCREWS - PACKAGE 10		
25	53238-13	SCREW PACKAGE		
26	53238-17	SCREW PACKAGE		
27	55296	WIRE & TERMINAL ASSEMBLY		
28	EW29-8-12ZP	SCREW PACKAGE		



**25868-5 ARMATURE & FAN ASS'Y.
25860 MOTOR FAN**

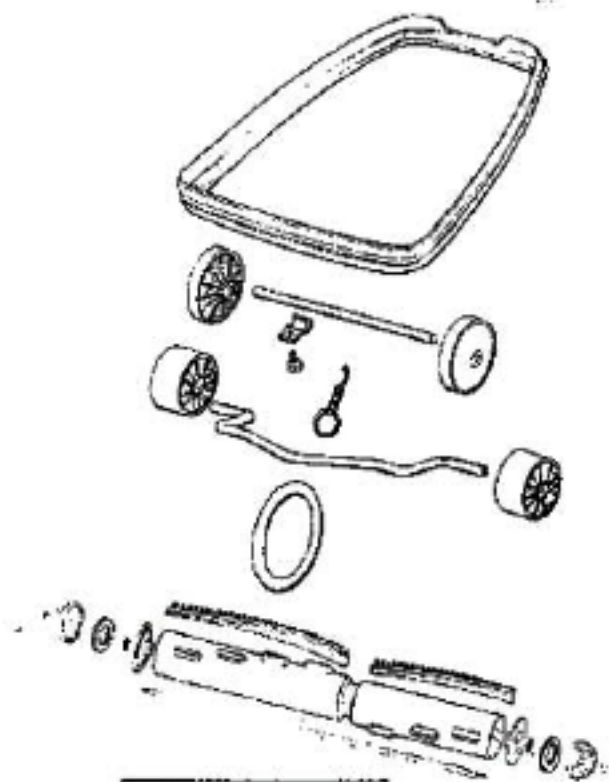


**36730 MOTOR BASE ASS'Y.
42875 BEARING RETAINER ASS'Y.
51108A-10 TUBULAR RIVET**



PARTS2 - 2116B

Ref #	Part	Description	Comments	Qty
1	12988-1	FAN BLOWER - MOTOR		
2	13355-1	FIELD ASSEMBLY - CARTONED		
3	26055	MOTOR BRUSH ASSEMBLY		
4	35993	PULLEY - MOTOR DRIVE		
5	42875	BEARING RETAINER ASSY-W/L		
6	48416-3	SCREW - TORX PAN HD		
7	49017	WASHER - FAN PACKAGE (10)		
8	51108A-10	RIVET PACKAGE		
9	51126A-31	WASHER PACKAGE		



28385-1
DISTURBULATOR ASSY.
INCLUDES

- 52282-3 BRISTLE STRIP SET
- 58028 DISTURBULATOR REPAIR PKG
- 53167 SHAFT WASHER
- 53158 NUT
- 25759A DISTURBULATOR CAP
- 49899 FELT WASHER
- 13236-1 DISTURBULATOR TUBE
- 37378 SHAFT

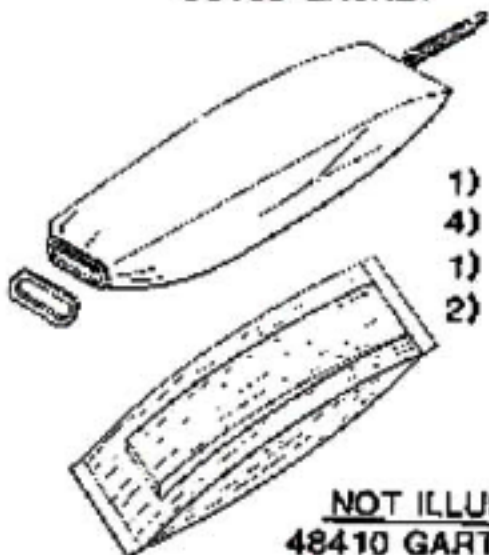


25922-1 BOTTOM PLATE(INCLUDES)
46538 GASKET

PARTS3 - 2116B

Ref #	Part	Description	Comments	Qty
1	13236-1	TUBE - DISTURBULATOR		
2	25759A	CAP - DISTURBULATOR		
3	25922-1	BOTTOM PLATE ASSEMBLY		
4	26365-1	DISTURBULATOR ASSY - CART		
5	35858-1	WHEEL - REAR		
6	35947A	AXLE - FRONT		
7	36342-9	GUARD - FURNITURE		
8	37378	DIST SHAFT & BRG ASSY - C		
9	46538	TAPE - FOAM		
10	47562	AXLE - REAR		
11	49899	WASHER - FELT		
12	52282-3	Discontinued, use 52282- (NLA)		
13	53076-2	SPRING & AXLE PACKAGE (6)		
14	53111	CLIP PACKAGE (5)		
15	53158	LOCK NUT PACKAGE		
16	53167	WASHER - SHAFT PACKAGE		
17	53238-11	SCREW PACKAGE		
18	56028	DIST SHAFT & BRG ASSY - C		

**52309 ADAPTER,SLEEVE & GASKET ASS'Y (INCLUDES)
55106 GASKET**



56821 HARDWARE PKG.

- 1) 26659-1 HANDLE CONNECTOR**
- 4) 37888-1 SNAP PIN**
- 1) 55468-1 HANDLE SCREW ASS'Y.**
- 2) EW126-10P10CC SCREW**

NOT ILLUSTRATED
48410 GARTER SPRING
48801 TIE WIRE

PARTS5 - 2116B

Ref #	Part	Description	Comments	Qty
1	26659-1	CONNECTOR - HANDLE		
2	37688-1	SNAP PIN - PACKAGED		
3	47722	SPRING - BAG		
4	48410	SPRING - GARTER		
5	48801	WIRE - TIE		
6	52309	ADAPTER - BAG		
7	52320	PAPER BAG PKG ASSY STYLE		
8	53977-5	BAG ASSEMBLY - PACKAGED		
9	55106	GASKET - BAG ADAPTER		
10	55468-1	HANDLE SCREW ASSY PACKAGE		
11	56821	HARDWARE PACKAGE		