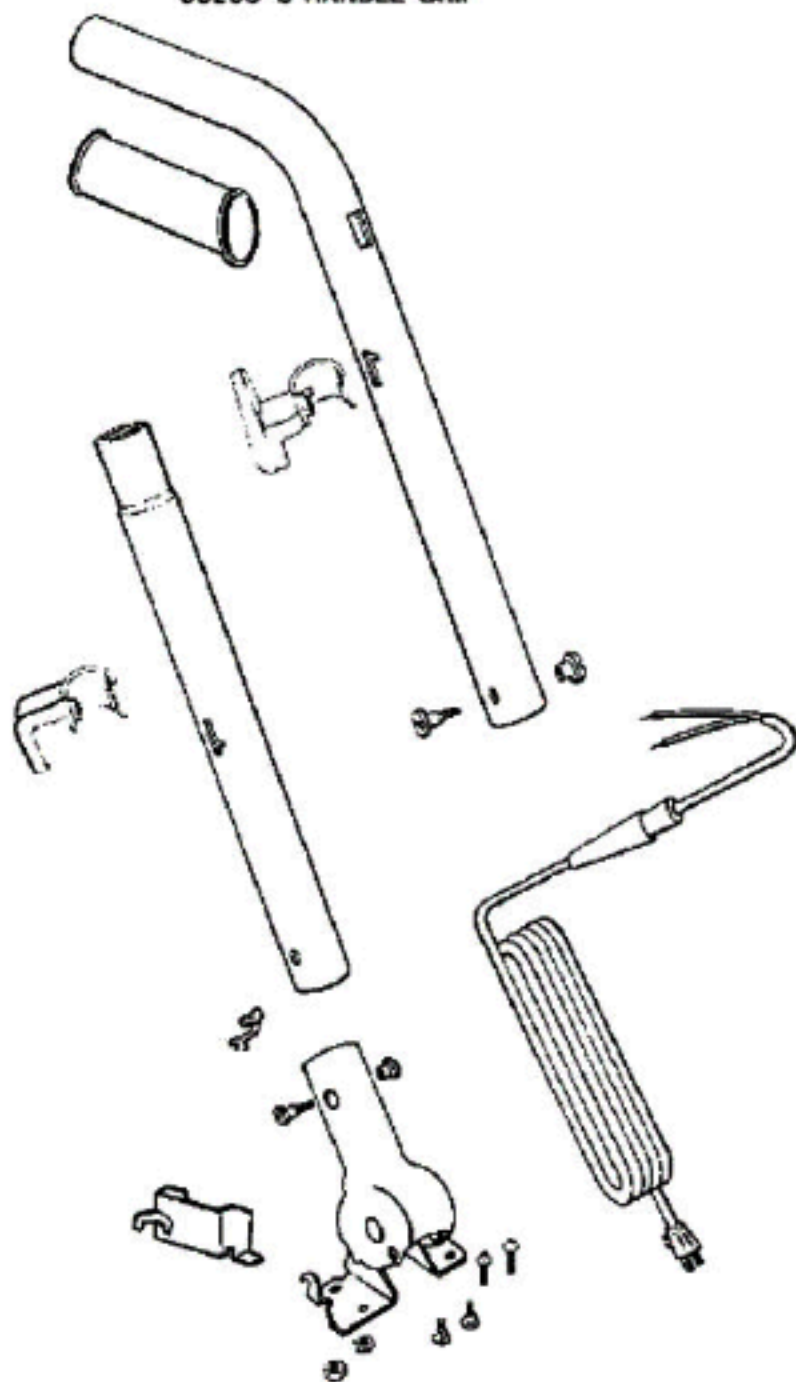
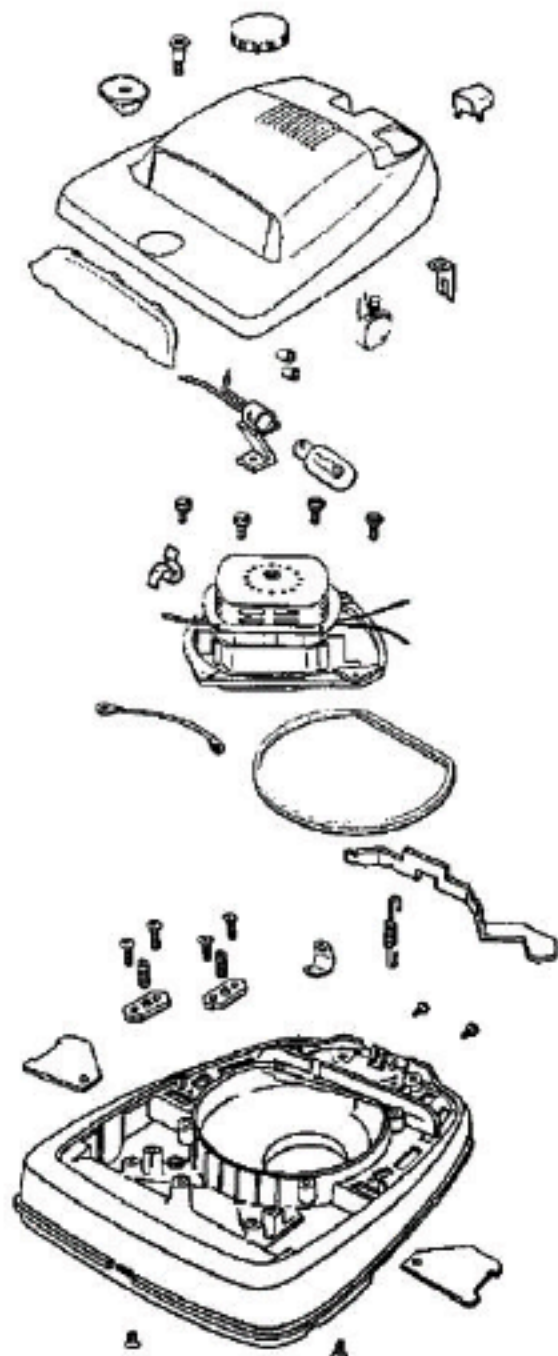


**25328-20 UPPER HANDLE ASS'Y.(INCLUDES)
35283-8 HANDLE GRIP**



PARTS4 - 2122A

Ref #	Part	Description	Comments	Qty
1	12637-8	TUBE - HANDLE (LOWER)		
2	25329-20	HDLE ASSY-UPPER- (12636-5		
3	27137-2	HANDLE SOCKET ASSEMBLY		
4	34732-24	CORD & PLUG ASSEMBLY		
5	35293-8	GRIP - HANDLE		
6	36097-2	SLEEVE		
7	36965-1	CORD RETAINER ASSY-BLACK		
8	37157	SHIELD-HDLE SOCKET		
9	53089-1	BUSHING & STRAIN RELIEF P		
10	53145	BOLT PACKAGE (10)		
11	53198-1	HANDLE SCREW ASSY PACKAGE		
12	53238-13	SCREW PACKAGE		
13	EW14-10ZP	NUTS - PACKAGE 10		



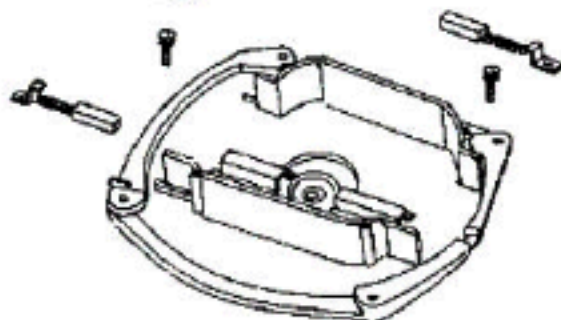
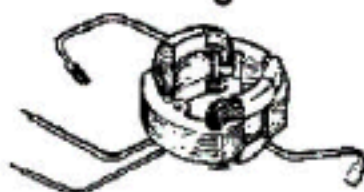
49083-25 BASE ASS'Y.
24904A CAM (RH)
24905A CAM (LH)
63118 RIVET
63133 WASHER

PARTS1 - 2122A

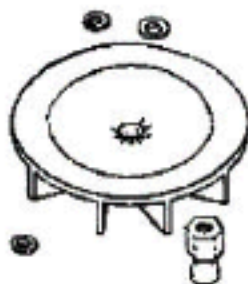
Ref #	Part	Description	Comments	Qty
1	13738-5	SWITCH ASSEMBLY		
2	14193-1	LENS - HOOD		
3	14302-1	KNOB - 8 POSITION		
4	24834A-1	PEDAL - FOOT		
5	24964A	CAM (RIGHT)		
6	24965A	CAM (LEFT)		
7	26307	TIE - CABLE (PURCHASED)		
8	26808-2	BUTTON - SWITCH		
9	30517	GASKET - MOTOR SEAL		
10	35958A	HEADLAMP SOCKET ASSEMBLY		
11	36263	COVER - WHEEL		
12	37590	BRACKET - BUSHING		
13	37989	CLIP - SWITCH		
14	38054-1	GRIP ASSEMBLY		
15	40009A	LAMP - HEADLIGHT		
16	49063-25	BASE ASSEMBLY - CARTONED		
17	53097	SPRING - FOOT PEDAL PKG (
18	53133	STEEL WASHERS - PACKAGE 1		
19	53140	CLAMP & SCREW ASSY PKG		
20	53143	SCREW PACKAGE (10)		
21	53214-1	WIRE SPLICE 5		
22	53228-7	SCREWS - PACKAGE 10		
23	53238-13	SCREW PACKAGE		
24	53238-17	SCREW PACKAGE		
25	55296	WIRE & TERMINAL ASSEMBLY		
26	EW29-8-12ZP	SCREW PACKAGE		



25868-5 ARMATURE & FAN ASS'Y.
25860 MOTOR FAN

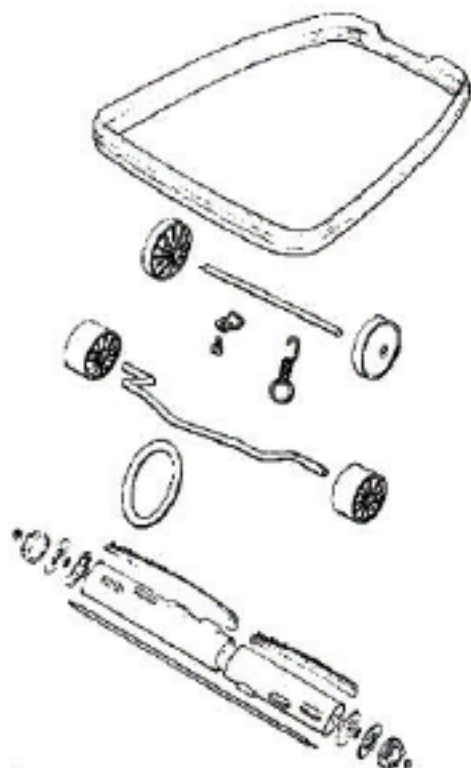


36730 MOTOR BASE ASS'Y.
42875 BEARING RETAINER ASS'Y.
53187-1 TUBULAR RIVET



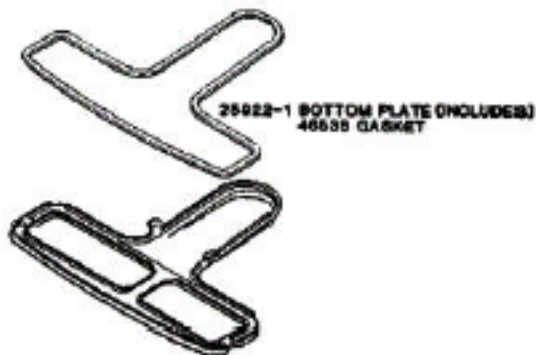
PARTS2 - 2122A

Ref #	Part	Description	Comments	Qty
1	12988-1	FAN BLOWER - MOTOR		
2	13355-1	FIELD ASSEMBLY - CARTONED		
3	13746-1	COVER - MOTOR		
4	26055	MOTOR BRUSH ASSEMBLY		
5	36993	PULLEY - MOTOR DRIVE		
6	42875	BEARING RETAINER ASSY-W/L		
7	53131-1	SCREW PACKAGE (10)		
8	53148	WASHER - FAN PACKAGE (10)		
9	53187-1	RIVET PACKAGE		
10	53188	WASHER PACKAGE		



**25763-1 DISTURBULATOR ASS'Y.
INCLUDES**

52262-3 BRISTLE STRIP SET
 13236-1 DISTURBULATOR TUBE
 53183 FELT WASHER (2 USED)
 25759A DISTURBULATOR CAP (2)
 53158 NUT (2 USED)
 38070 BEARING & RETAINER ASS'Y. (2)
 37378 SHAFT
 53167 SHAFT WASHER (2 USED)

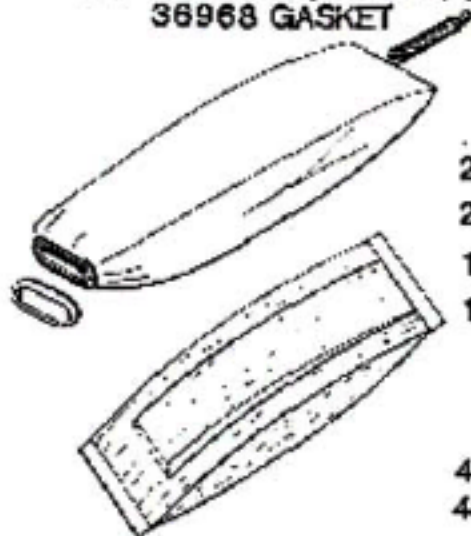


**25922-1 BOTTOM PLATE (INCLUDES)
46555 GASKET**

PARTS3 - 2122A

Ref #	Part	Description	Comments	Qty
1	13236-1	TUBE - DISTURBULATOR		
2	25759A	CAP - DISTURBULATOR		
3	25763-1	DISTURBULATOR ASSY - CART		
4	25922-1	BOTTOM PLATE ASSEMBLY		
5	35858-1	WHEEL - REAR		
6	35947A	AXLE - FRONT		
7	36999-23	GUARD - FURNITURE		
8	37378	DIST SHAFT & BRG ASSY - C		
9	46538	TAPE - FOAM		
10	47562	AXLE - REAR		
11	52282-3	Discontinued, use 52282- (NLA)		
12	53076-2	SPRING & AXLE PACKAGE (6)		
13	53111	CLIP PACKAGE (5)		
14	53158	LOCK NUT PACKAGE		
15	53167	WASHER - SHAFT PACKAGE		
16	53238-11	SCREW PACKAGE		

**52309 ADAPTER,SLEEVE & GASKET ASS'Y.(INCLUDES)
36968 GASKET**



55222 HARDWARE PKG.

- 2) 55468-1 HDLE. SCREW ASS'Y.**
- 2) EW126-10-10CC SCREW**
- 1) 36965-1 CORD RET. ASS'Y.(UP)**
- 1) 13521-1 CORD RET. (LOW)**

**NOT ILLUSTRATED:
48410 GARTER SPRING
48801 TIE WIRE**

PARTS5 - 2122A

Ref #	Part	Description	Comments	Qty
1	13450-83	BAG ASSEMBLY - PACKAGED		
2	36965-1	CORD RETAINER ASSY-BLACK		
3	36968	GASKET		
4	47722	SPRING - BAG		
5	48410	SPRING - GARTER		
6	48801	WIRE - TIE		
7	52309	ADAPTER - BAG		
8	52320	PAPER BAG PKG ASSY STYLE		
9	55222	HARDWARE PACKAGE		
10	55468-1	HANDLE SCREW ASSY PACKAGE		
11	EW126-10-10CC	SCREWS - PACKAGE 10		