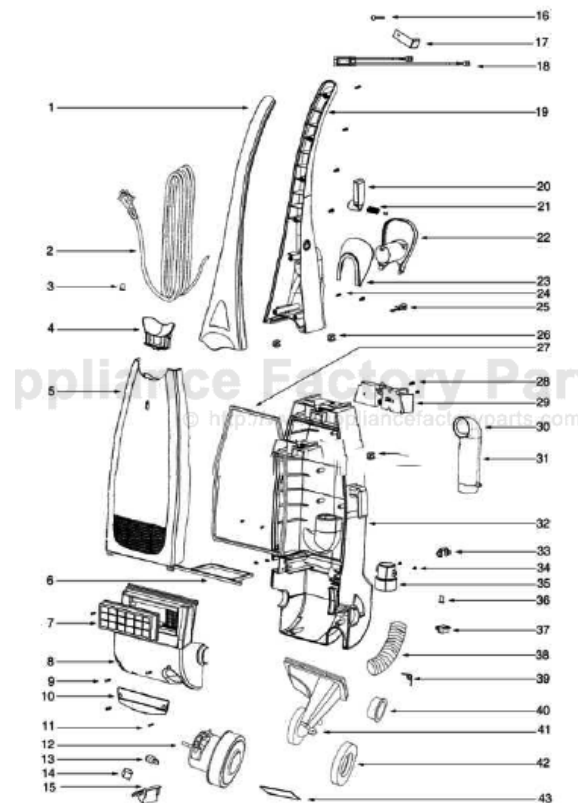


This Owner's Manual is provided and hosted by Appliance Factory Parts.



Eureka 2272AV Owner's Manual

[Shop genuine replacement parts for Eureka 2272AV](#)



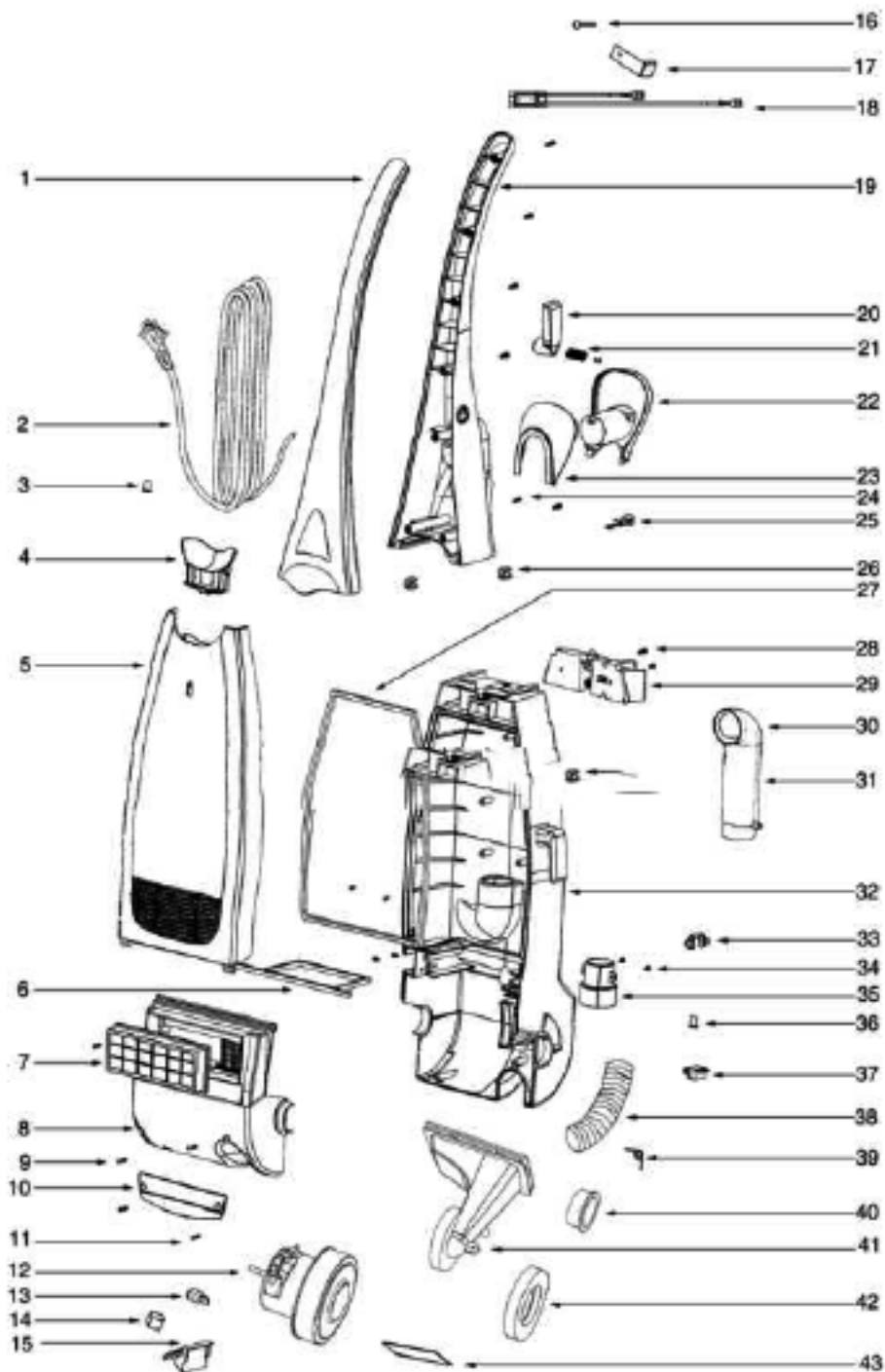
[Find Your Eureka Vacuum Cleaner Parts - Select From 855 Models](#)

----- Manual continues below part list -----

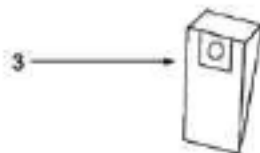
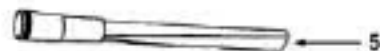
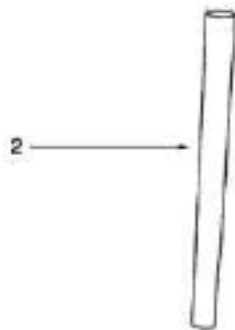
Available Replacement Parts for Eureka 2272AV

[E-61850](#)

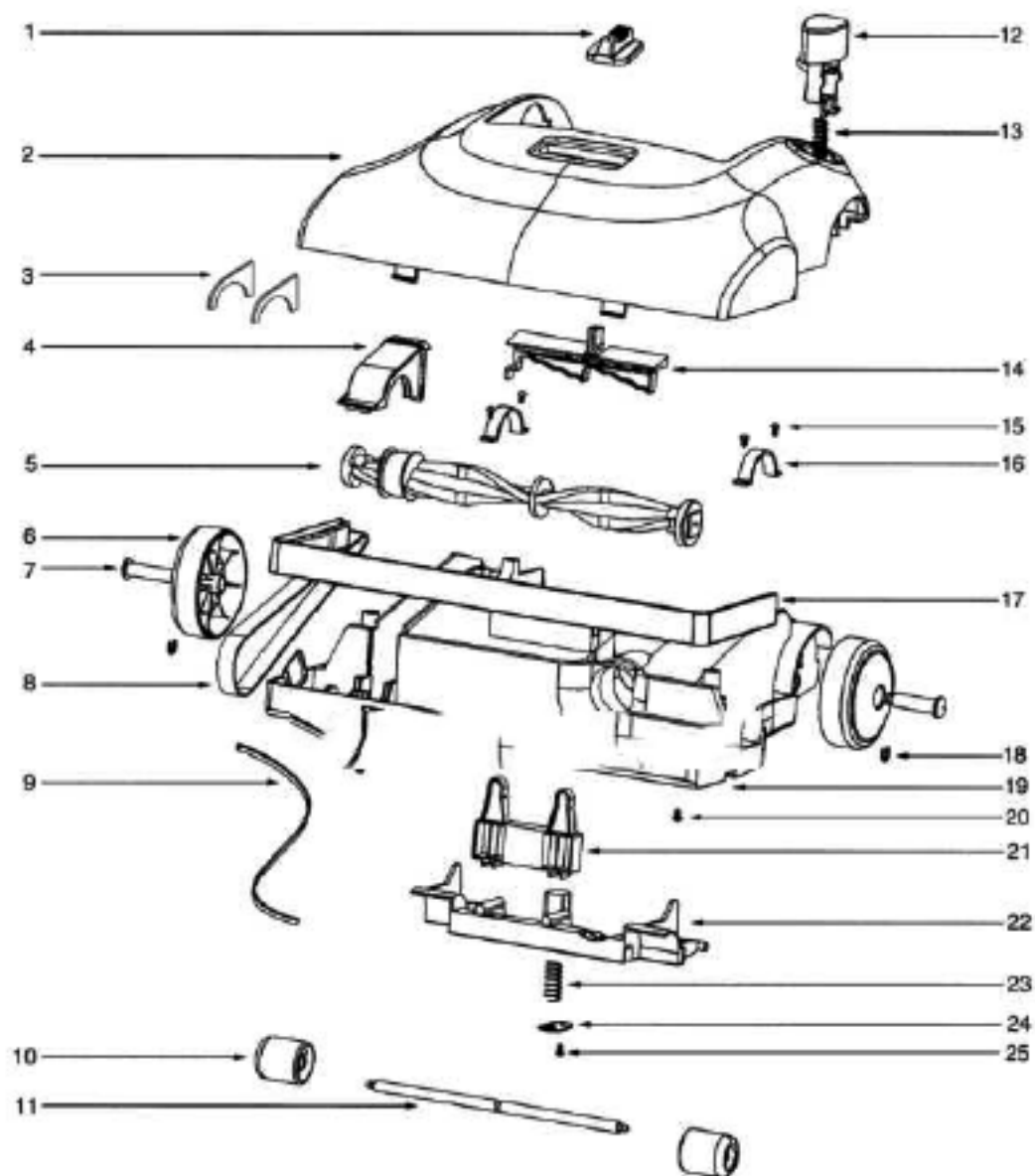
FILTER HEPA FOR EUREKA 1 PACK



Ref#	Part	Description	Comments	Qty
1	61636-5	HANDLE COVER - PKGD		
2	61637	POWER CORD		
3	61664	POWER CORD JACKET		
4	61638	BAG COVER LATCH		
5	61639-5	BAG COVER ASSY - PACKAGED		
6	61646	AIR INLET GASKET		
7	61850	HEPA FILTER PKG - STYLE H		
8	61642-2	MOTOR COVER - PACKAGED		
9	61803-1	SCREW PACKAGE		
10	61857	LENS		
11	61803-4	SCREW PACKAGE		
12	61632	MOTOR ASSY - CTND		
13	57940-2	LAMP - HEADLIGHT		
14	61849	HEADLIGHT SOCKET ASSEMBLY		
15	61641	SWITCH PEDAL		
16	61803-3	SCREW PACKAGE		
17	72443	THERMOSTAT CLIP		
18	61663	THERMOSTAT & TERMINAL ASS		
19	61690	HANDLE		
20	61659	CORD HOOK		
21	61658	SPRING PACKAGE		
22	61657	DUSTING BRUSH SUPPORT		
23	61656	HOSE FRAME		
25	61655	CLIP		
26	72342	HANDLE CLIP		
27	61654	BAG COVER GASKET		
29	61652	TOOL CADDY		
30	61653	AIR TUBE		
31	61648	AIR TUBE CONNECTOR		
32	61650	REAR HOUSING - PKGD		
33	61644	SWITCH REPLACEMENT KIT		
34	61803-2	SCREW PACKAGE		
35	61651	HOSE CUFF		
36	61647	POWER CORD JACKET		
37	61645	SWITCH REPLACEMENT KIT		
38	61649	COMPRESSION HOSE		
39	61643	TORSION SPRING		
40	61633	GROMMET		
41	61634	AIR DUCT ASSEMBLT		
42	61635	AIR DUCT GASKET		
43	61530	FILTER		
44	53133	STEEL WASHERS - PACKAGE 1		
45	61803	SCREW PACKAGE		



Ref#	Part	Description	Comments	Qty
1	61535	HOSE ASSY - CTND		
2	61531	EXTENSION WAND		
3	61515	PAPER BAG PACKAGE - STYLE J		
4	61537	UPHOLSTERY NOZZLE		
5	61532	CREVICE NOZZLE		
6	61536	DUSTING BRUSH		
7	71434A	OWNER'S GUIDE		
8	28612A	TURBO NOZZLE ASSY (MODEL		



Ref#	Part	Description	Comments	Qty
1	61631	HEIGHT ADJUSTMENT KNOB		
2	61612-5	HOOD ASSEMBLY - PACKAGED		
3	39573	UPPER/LOWER FELT		
4	61613	BELT CAP		
5	61540	BRUSHROLL ASSY - CTND		
6	61616	REAR WHEEL		
7	61615	REAR WHEEL SHAFT		
8	61520	BELT PACKAGE - STYLE J		
9	61622	GASKET		
10	61623	FRONT WHEEL		
11	61624	FRONT WHEEL SHAFT		
12	61630	HANDLE RELEASE PEDAL		
13	61629	SPRING		
14	61628	SWITCH SUPPORT		
16	61614	CLAMP		
17	61617	FURNITURE GUARD		
18	61619	CLIP RING		
19	61620	BASE		
20	61803	SCREW PACKAGE		
21	61621	ADJUST FRAME		
22	61627	WHEEL CARRIAGE		
23	61626	SPRING		
24	61625	SPRING PLATE		
25	61803-2	SCREW PACKAGE		