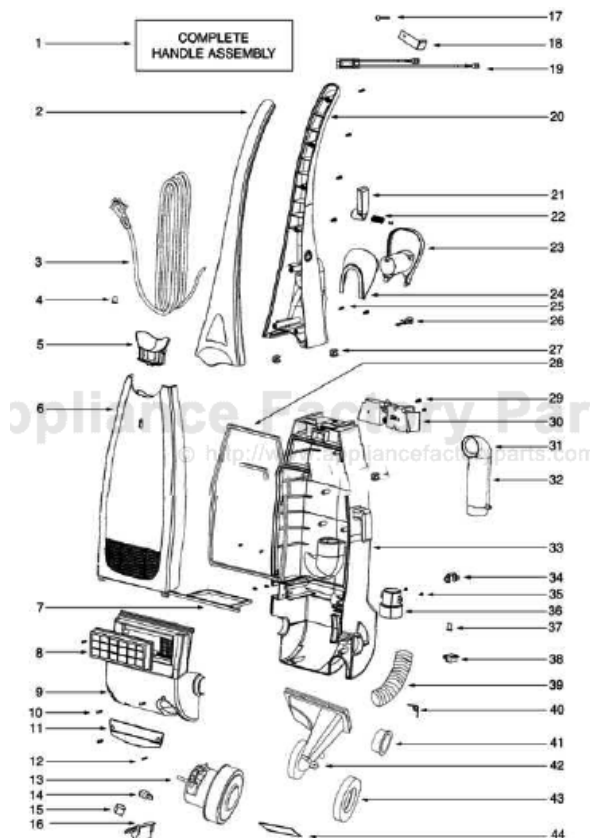


Eureka 2273AV Owner's Manual

[Shop genuine replacement parts for Eureka 2273AV](#)



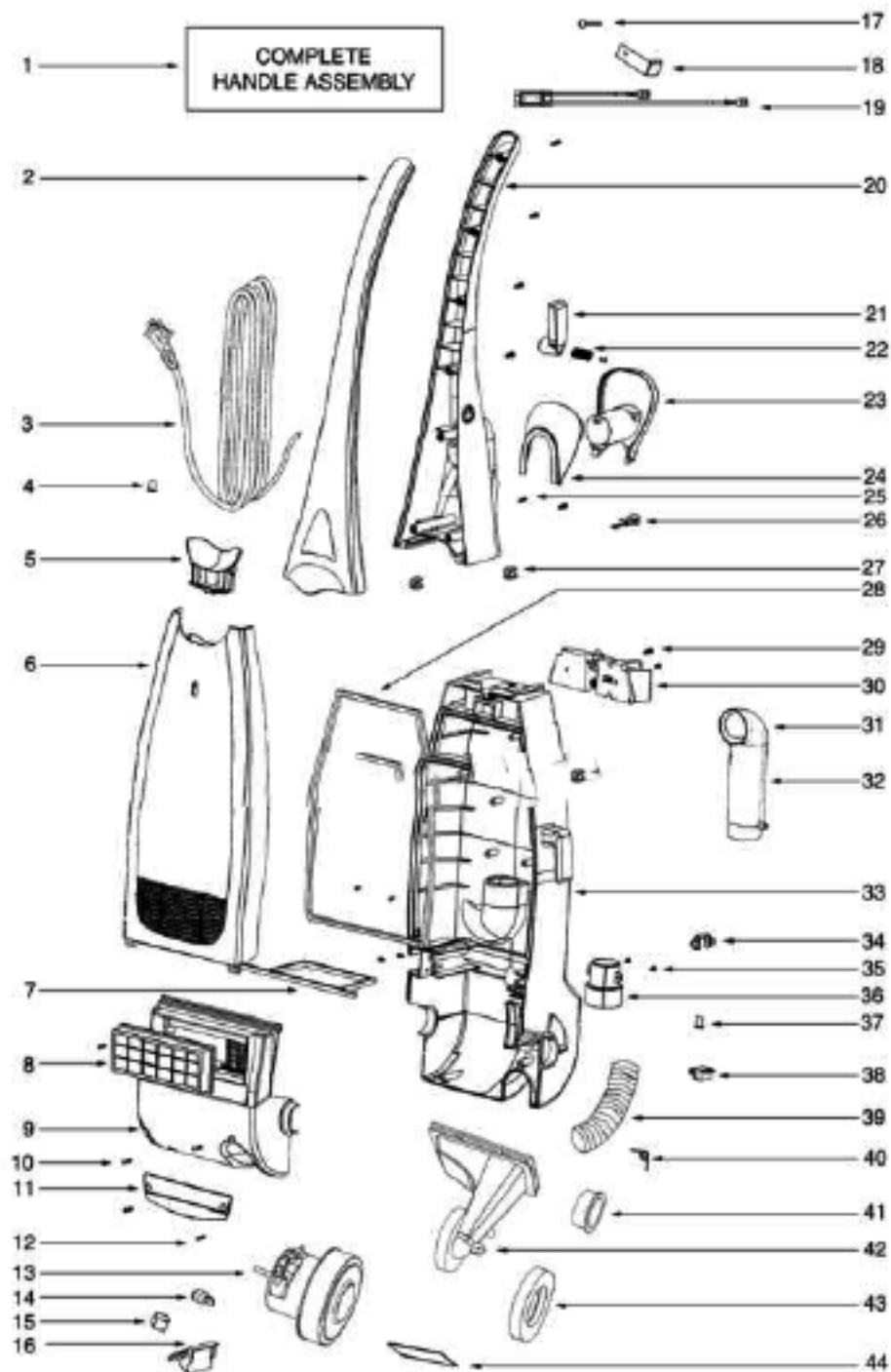
[Find Your Eureka Vacuum Cleaner Parts - Select From 855 Models](#)

----- Manual continues below part list -----

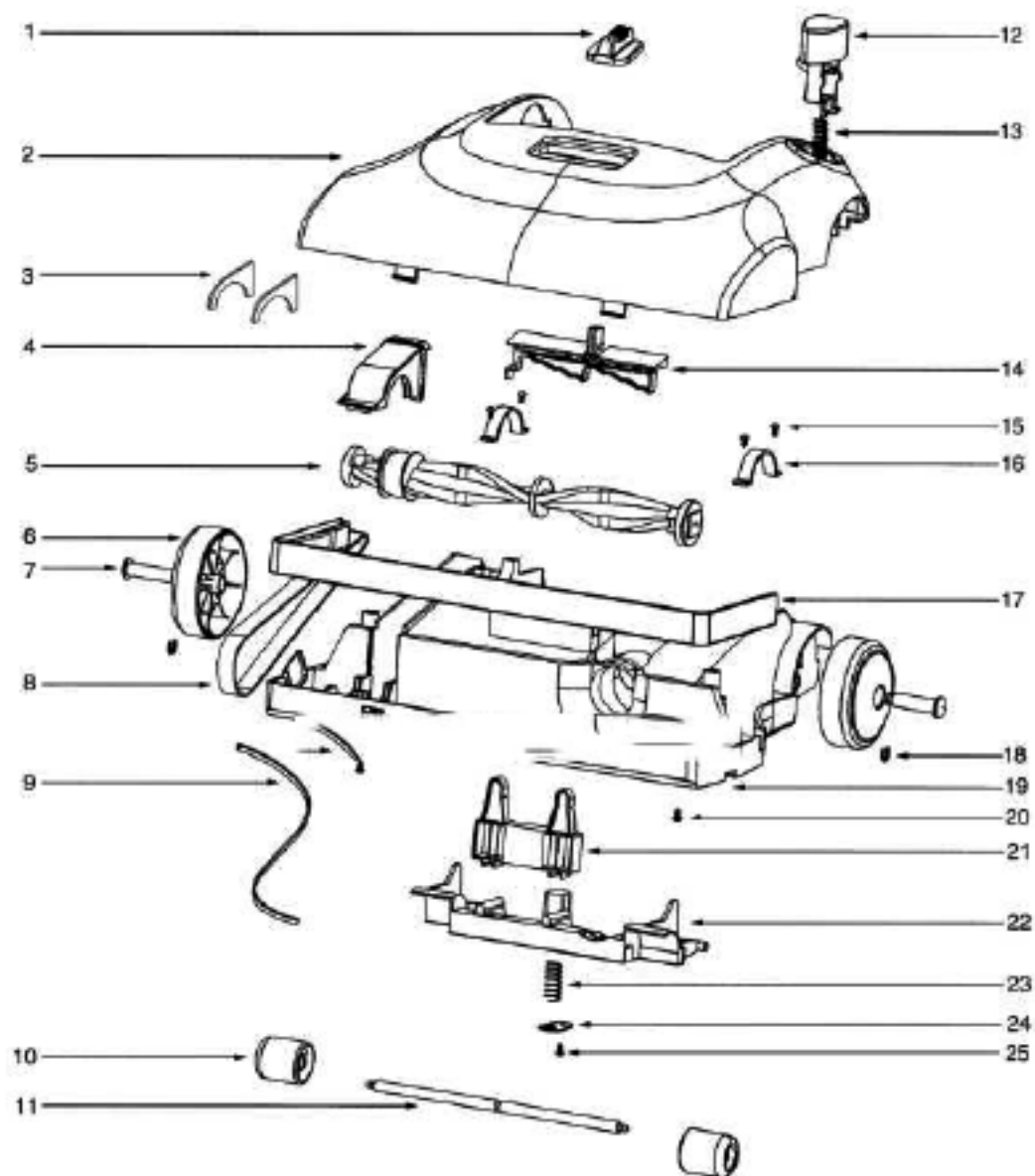
Available Replacement Parts for Eureka 2273AV

[E-61850](#)

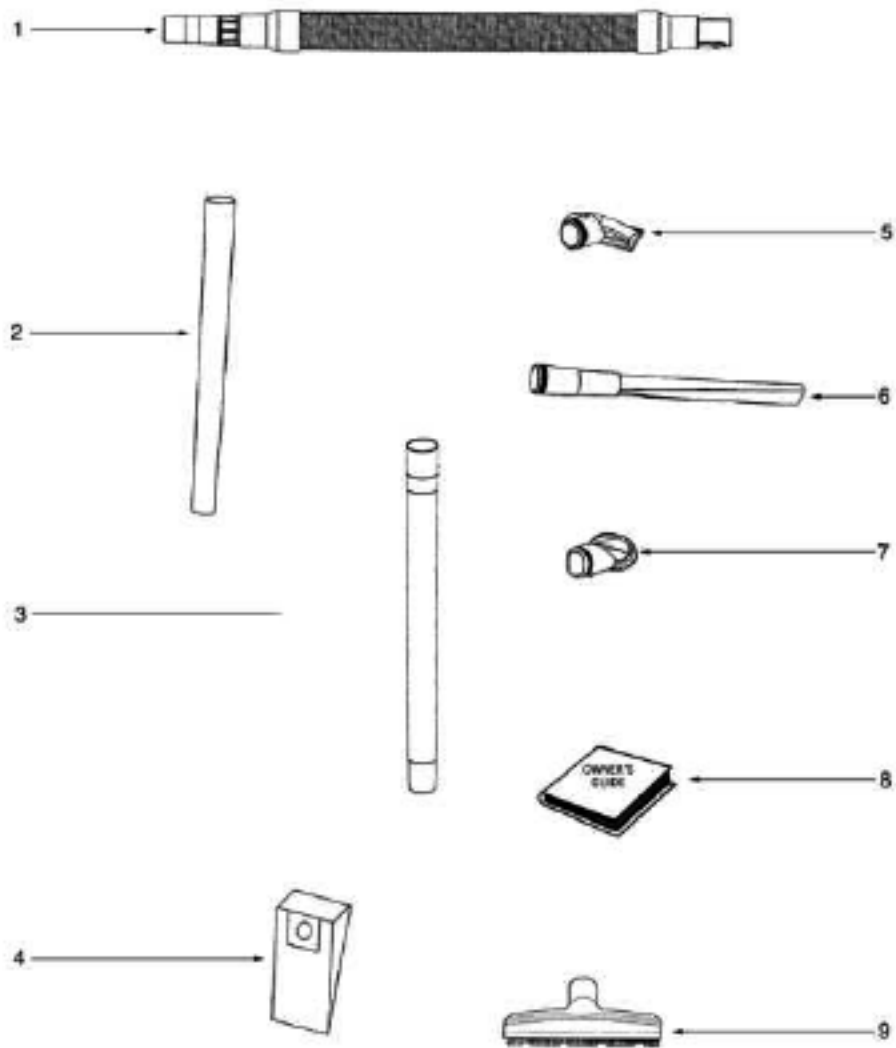
FILTER HEPA FOR EUREKA 1 PACK



Ref#	Part	Description	Comments	Qty
1	15787-9	HANDLE ASSEMBLY		
2	61636-6	HANDLE COVER - PKGD		
3	61637	POWER CORD		
4	61664	POWER CORD JACKET		
5	61638	BAG COVER LATCH		
6	61639-6	BAG COVER ASSY - PACKAGED		
7	61646	AIR INLET GASKET		
8	61850	HEPA FILTER PKG - STYLE H		
9	61642-6	MOTOR COVER - PACKAGED		
10	61803-1	SCREW PACKAGE		
11	61857	LENS		
12	61803-4	SCREW PACKAGE		
13	61632	MOTOR ASSY - CTND		
14	57940-2	LAMP - HEADLIGHT		
15	61849	HEADLIGHT SOCKET ASSEMBLY		
16	61641	SWITCH PEDAL		
17	61803-3	SCREW PACKAGE		
18	72443	THERMOSTAT CLIP		
19	61663	THERMOSTAT & TERMINAL ASS		
20	61660	HANDLE		
21	61659-1	CORD HOOK		
22	61658	SPRING PACKAGE		
23	61657	DUSTING BRUSH SUPPORT		
24	61656	HOSE FRAME		
26	61655	CLIP		
27	72342	HANDLE CLIP		
28	61654	BAG COVER GASKET		
30	61652	TOOL CADDY		
31	61653	AIR TUBE		
32	61648	AIR TUBE CONNECTOR		
33	61650	REAR HOUSING - PKGD		
34	61644	SWITCH REPLACEMENT KIT		
35	61803-2	SCREW PACKAGE		
36	61651	HOSE CUFF		
37	61647	POWER CORD JACKET		
38	61645	SWITCH REPLACEMENT KIT		
39	61649	COMPRESSION HOSE		
40	61643	TORSION SPRING HNT		
41	61633	GROMMET		
42	61634	AIR DUCT ASSEMBLY		
43	61635	AIR DUCT GASKET		
44	61530	FILTER		
45	53133	STEEL WASHERS - PACKAGE 1		
46	61803	SCREW PACKAGE		



Ref#	Part	Description	Comments	Qty
1	61631	HEIGHT ADJUSTMENT KNOB		
2	61612-6	HOOD ASSEMBLY - PACKAGED		
3	39573	UPPER/LOWER FELT		
4	61613	BELT CAP		
5	61540	BRUSHROLL ASSY - CTND		
6	61616	REAR WHEEL		
7	61615	REAR WHEEL SHAFT		
8	61520	BELT PACKAGE - STYLE J		
9	61622	GASKET		
10	61623	FRONT WHEEL		
11	61624	FRONT WHEEL SHAFT		
12	61630	HANDLE RELEASE PEDAL		
13	61629	SPRING		
14	61628	SWITCH SUPPORT		
16	61614	CLAMP		
17	61617	FURNITURE GUARD		
18	61619	CLIP RING		
19	61620	BASE		
20	61803	SCREW PACKAGE		
21	61621	ADJUST FRAME		
22	61627	WHEEL CARRIAGE		
23	61626	SPRING		
24	61625	SPRING PLATE		
25	61803-2	SCREW PACKAGE		



Ref#	Part	Description	Comments	Qty
1	61535	HOSE ASSY - CTND		
2	61531	EXTENSION WAND		
3	13104-1	WAND - STRAIGHT		
4	61515A	PAPER BAG PACKAGE - STYLE		
5	61537	UPHOLSTERY NOZZLE		
6	61532	CREVICE NOZZLE		
7	61536	DUSTING BRUSH		
8	71434A	OWNER'S GUIDE		
9	39205B-1	FLOOR & WALL BRUSH ASSEMB		