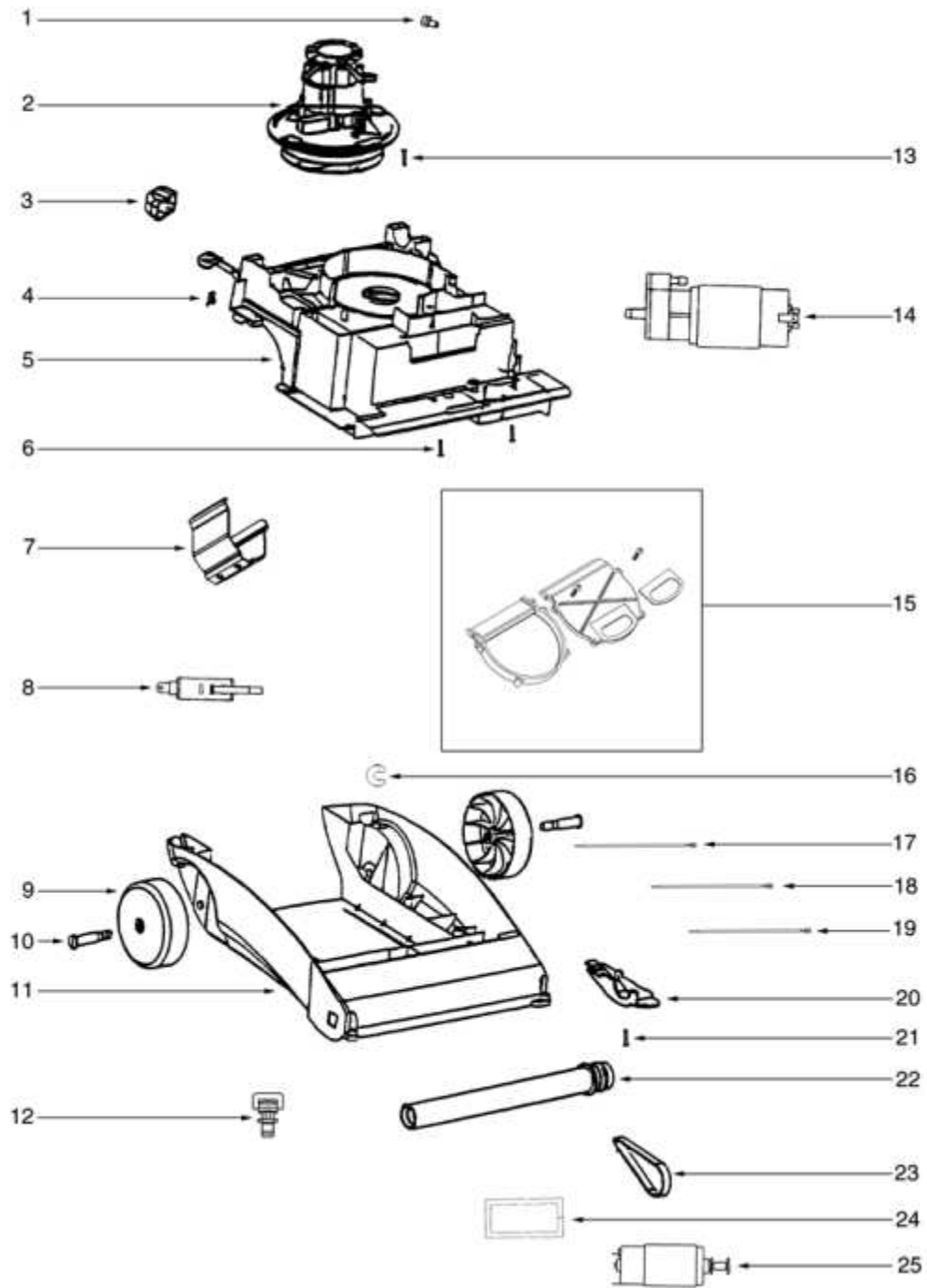
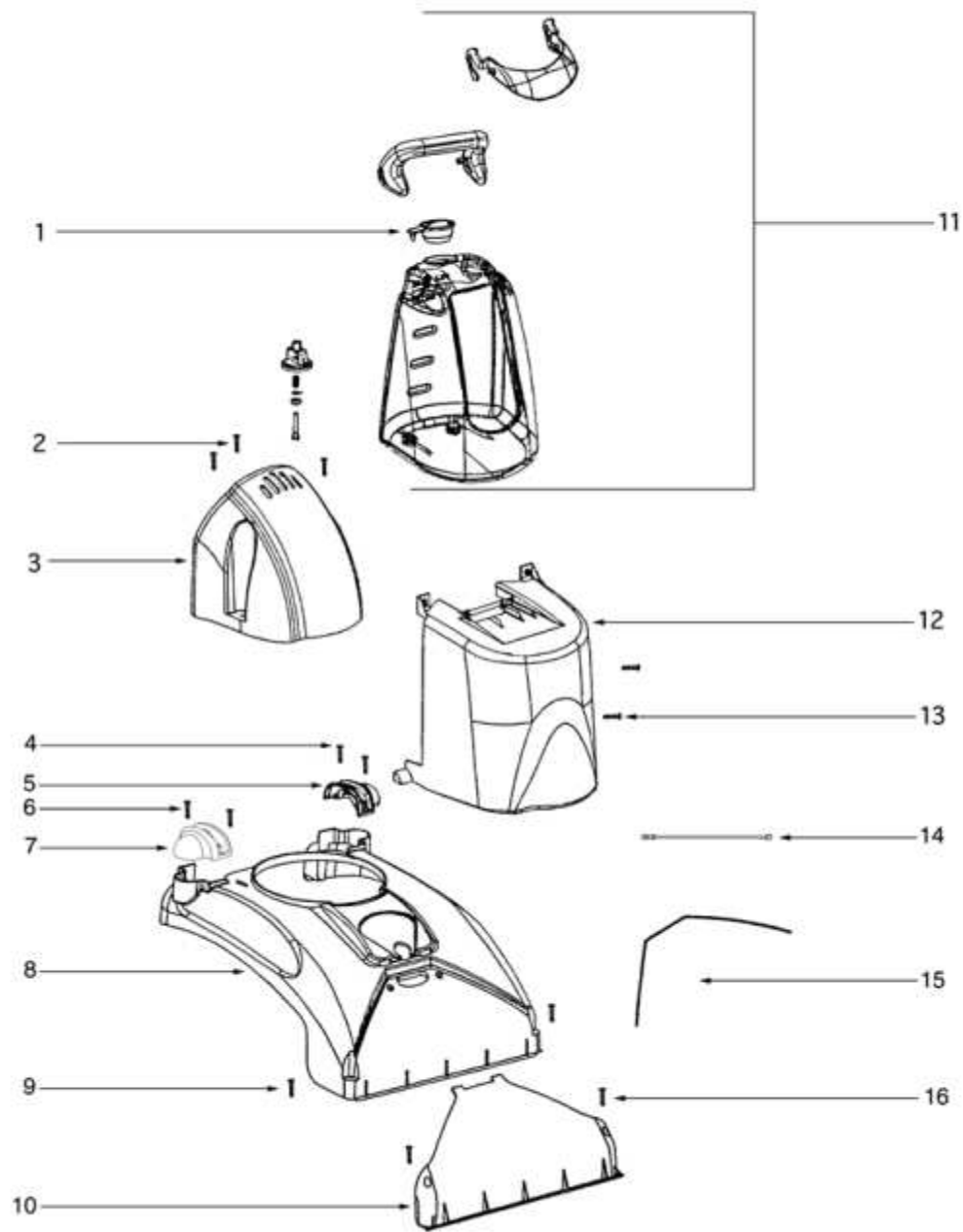


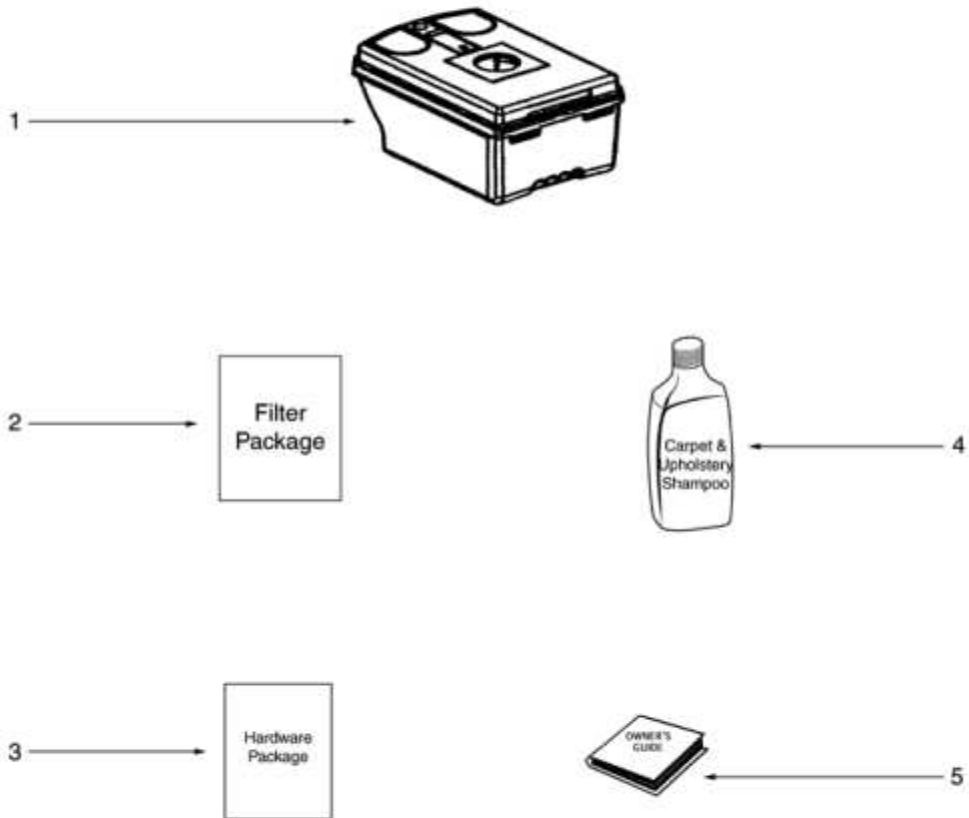
Ref #	Part	Description	Comments	Qty
1	15394D	UPPER HANDLE ASSEMBLY		
2	71167	SWITCH - ROCKER		
3	38836-119N	WARP - CORD		
5	15668B	REAR HOUSING ASSEMBLY		
6	59472-6	TUBING		
7	39073A	DISPENSE VALVE ASSY (2 PO		
8	38752-1	CORD - SUPPLY		
9	27776C-288N	TRIGGER - DISPENSER		
10	53197-3	SCREW PACKAGE		
11	27769-119N	ARM - UPPER		
12	38945B-305N	ACTUATOR - PLUNGER		
13	60207-1	FILTER PACKAGE		
14	38845-119N	SEAL - BOOT		
15	53238-27	SCREW PACKAGE		
16	28431-4	HOUSING COVER & GRAPHICS		
17	38941G	RESERVOIR ASSY		
18	27846B-119N	ARM - LOWER		
19	60219	SPRING PKG		
20	70316-1	TUBING		
21	28408-1	UPPER CORD & TERMINAL ASS		
22	39049-3	CORD - 3 WIRE JACKETED		



Ref #	Part	Description	Comments	Qty
1	60192-1	WIRE SPLICE 5		
2	60218B	MOTOR & GASKET - PKG		
3	38853-288N	COVER - HANDLE RELEASE		
4	60217	SPRING PKG 5		
5	60824-1	BASE/SUPPORT KIT		
6	53238-8	SCREW PACKAGE		
7	39297	BRACKET - MOTOR		
8	28019A-1	SWITCH - MICRO		
9	27843A-119N	WHEEL - REAR		
10	38392	AXLE		
11	60624A	BASE ASSEMBLY - PACKAGED		
12	39290	NOZZLE		
13	53238-27	SCREW PACKAGE		
14	60221C	PUMP & MOTOR ASSY - PKGD		
15	38865	WATER DUCT ASSEMBLY		
16	54709	PACKAGE - PRONG LOCK RETA		
17	58971-1	WIRE & TERMINAL ASSEMBLY		
18	58971-2	WIRE & TERMINAL ASSEMBLY		
19	58971-4	WIRE & TERMINAL ASSEMBLY		
20	38738B-119N	COVER - BELT		
21	54669-3	SCREW PACKAGE		
22	60203A	DISTURBULATOR ASSY - CTND		
23	60129	BELT PACKAGE		
24	59148	GASKET - BRUSH ROLL MOTOR		
25	60623-2	MOTOR & PULLEY ASSY - CRT		



Ref #	Part	Description	Comments	Qty
1	38735-119N	CAP - TANK		
3	15316A-119N	COVER - MOTOR		
5	38737-119N	COVER - AXLE (LH)		
7	38861-119N	COVER - AXLE (RH)		
8	60223-9	HOOD & GRAPHICS ASSY - PK		
9	60224	SCREW PKG		
10	61947	SUCTION COVER - PKGD		
11	60622-2	DISPENSING TANK ASSY - PK		
12	60226-10	SHROUD & GRAPHICS ASSY -		
13	53238-27	SCREW PACKAGE		
14	58738-2	WIRE & TERMINAL ASSEMBLY		
15	59025-1	SEAL - GASKET		
16	60227	SCREW PKG (10)		



Ref #	Part	Description	Comments	Qty
1	60205	RECOVERY TANK ASSY - PKGD		
2	60207-1	FILTER PACKAGE		
3	59052	HARDWARE PACKAGE		
4	60170	EXTRACTOR SHAMPOO PACKAGE		
5	72832	OWNER'S GUIDE		