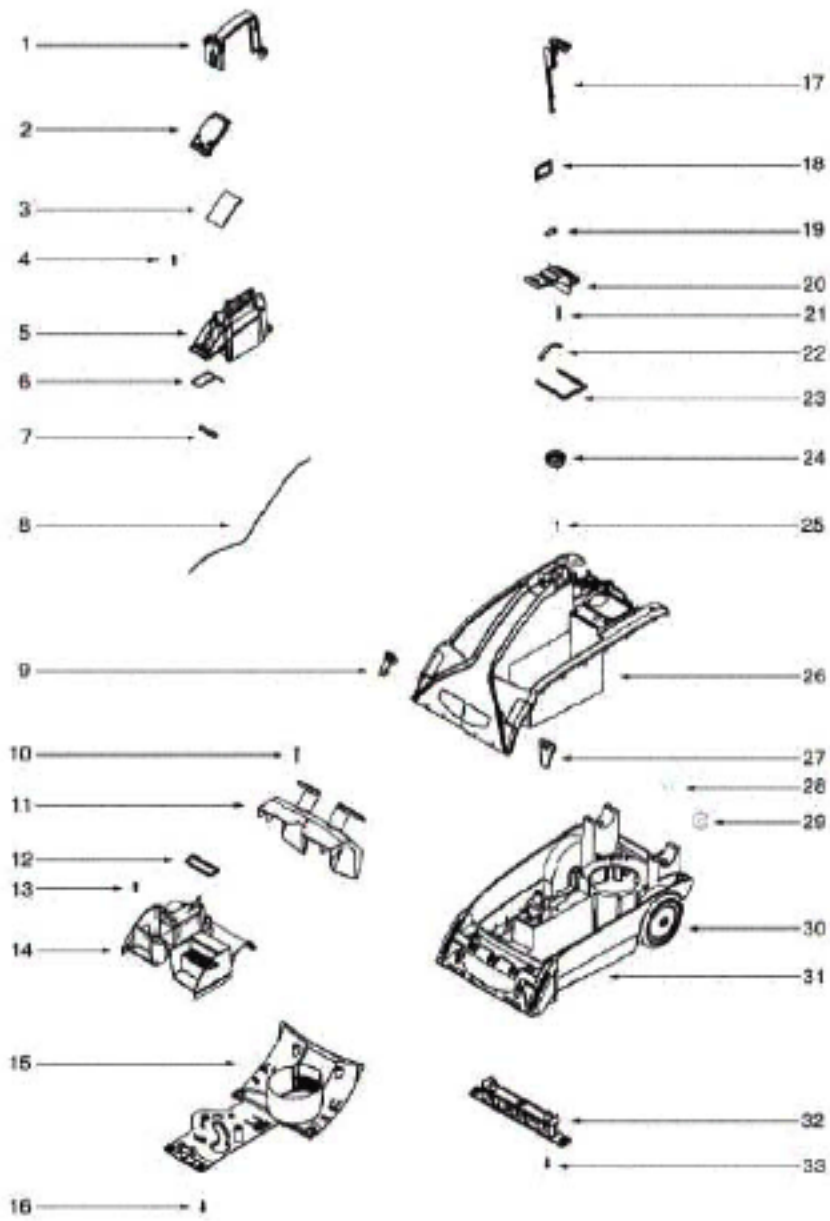


Handle and Tool Caddy - 2596A

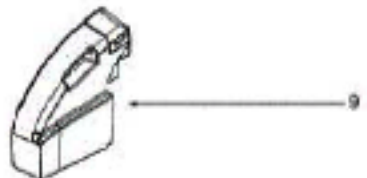
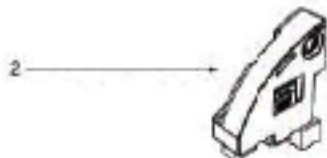
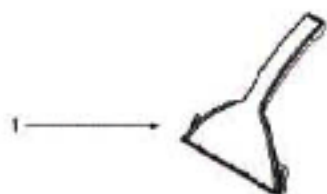
Ref #	Part	Description	Comments	Qty
1	72616-3	HANDLE ASSEMBLY		
2	38752-2	CORD - SUPPLY		
3	72979	CLAMP - TUBE		
4	72496A	DIVERTER MANIFOLD ASSEMBL		
5	72986	DETERGENT VALVE ASSEMBLY		
6	70316-7	TUBING		
7	73232-3	TOOL CADDY ASSEMBLY		
8	73368	SWITCH & WIRE ASSEMBLY		
9	53238-27	SCREW PACKAGE		
10	72859	GASKET - MOTOR CAN		
11	72382	MOTOR - SUCTION		
12	72834	GASKET - MOTOR		
13	72737	AGITATOR DRIVE ASSEMBLY		
14	73207	SEPARATOR - AIR		
15	60221C	PUMP & MOTOR ASSY - PKGD		
16	73292	GASKET - MIXING MANIFOLD		
17	72633	MIXING MANIFOLD ASSEMBLY		

Base and Hood - 2596A



Base and Hood - 2596A

Ref #	Part	Description	Comments	Qty
1	73534-3	CARRY HANDLE CAP & GRPHCS		
2	72380-355N	PORT DOOR - NOZZLE		
3	72865	GASKET - DOOR		
5	72524-427N	HANDLE - CARRY		
6	72964	CUP - GASKET (EXTRUDED RI		
7	72865	GASKET - SUCTION COVER		
8	72874	GASKET - SUCTION COVER		
9	72759-355N	SLIDE LOCK - SUCTION COVE		
10	53238-36	SCREW PACKAGE		
11	72754-3	CORD WRAP ASSEMBLY		
12	72861	GASKET - RECOVERY TANK		
14	72740A-427N	PLATFORM - CARRYING HANDL		
15	72346-355N	COVER - BOTTOM		
17	73023	DETERGENT VALVE PLUNGER A		
18	72863	GASKET - INTAKE		
19	72787	CLAMP - HOLD DOWN		
20	72377-355N	RELEASE - HANDLE		
21	61866	SPRING PACKAGE		
22	72983	SPRING - COMPRESSION		
23	72860	GASKET - MOTOR COVER		
24	72540-119N	RECEIVER - DETERGENT		
26	72741A-4	MOTOR COVER ASSEMBLY		
27	72537-355N	SLIDE LOCK - SUCTION COVE		
28	38392	AXLE		
29	54709	PACKAGE - PRONG LOCK RETA		
30	72735	WHEEL ASSEMBLY		
31	72735A	BASE ASSEMBLY		
32	72630	AGITATOR ASSEMBLY		
33	53238-27	SCREW PACKAGE		
34	76223-355N	CLAMP - HANDLE PIVOT	Not pictured.	



Accessories - 2596A

Ref #	Part	Description	Comments	Qty
1	73533-1	SUCTION COVER & GRPHCS AS		
2	72610-3	CLEAN WATER TANK ASSEMBLY		
3	72752	DETERGENT TANK ASSEMBLY		
4	73570A	CLEANING SOLUTION		
5	72751	PLENUM FILTER		
6	73365	BRUSH - AGITATOR (BRISTLE		
8	72375	GROOMING BRUSH ASSEMBLY		
9	72609-2	RECOVERY TANK ASSEMBLY		
10	72757	UPHOLSTERY HOSE & HANDLE		
11	72763	SUCTION NOZZLE ASSEMBLY		