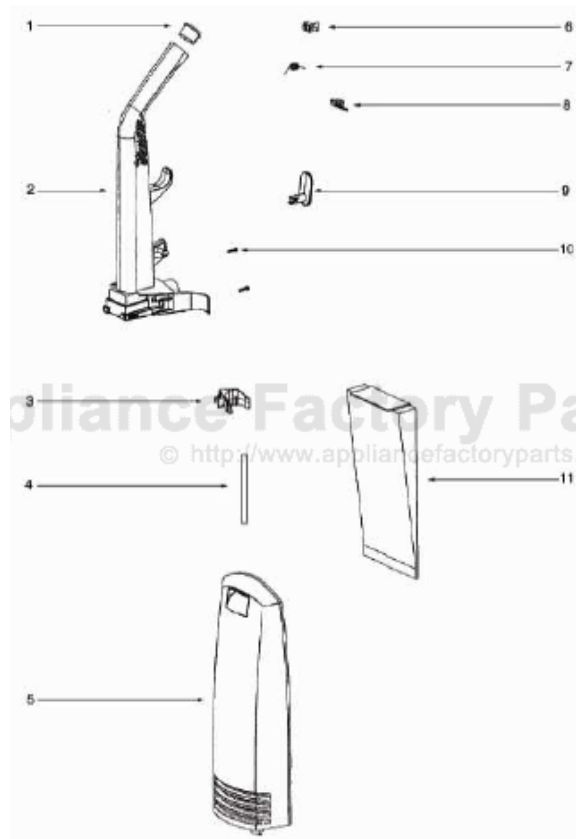


This Owner's Manual is provided and hosted by [Appliance Factory Parts](http://www.appliancefactoryparts.com).



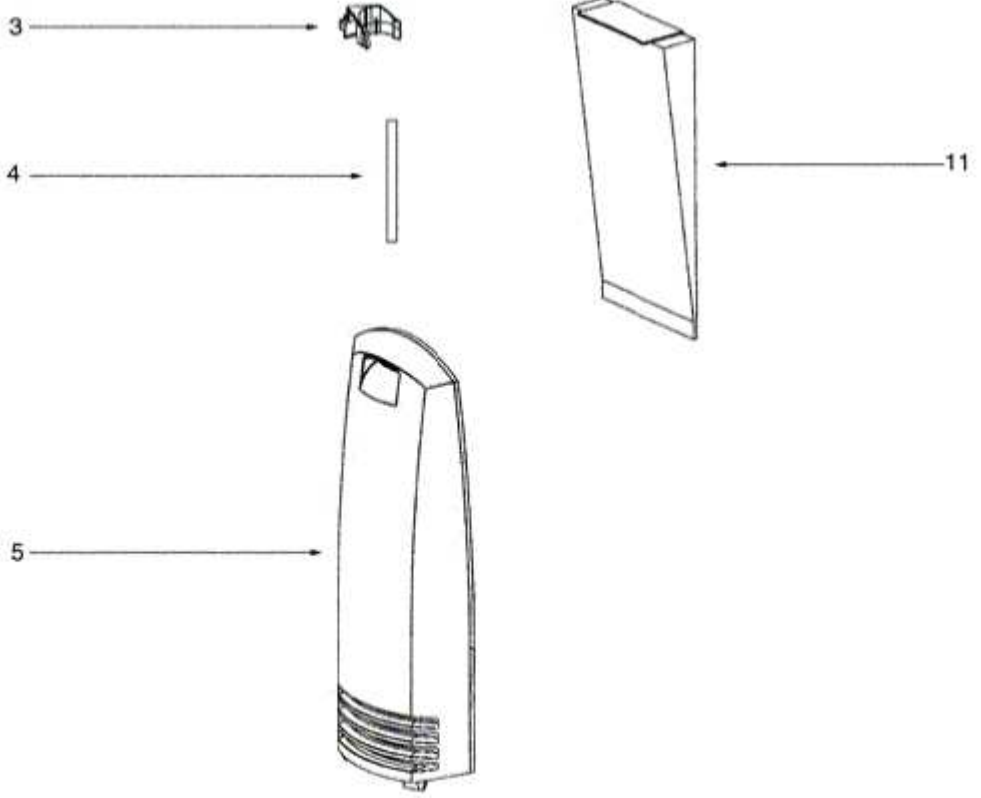
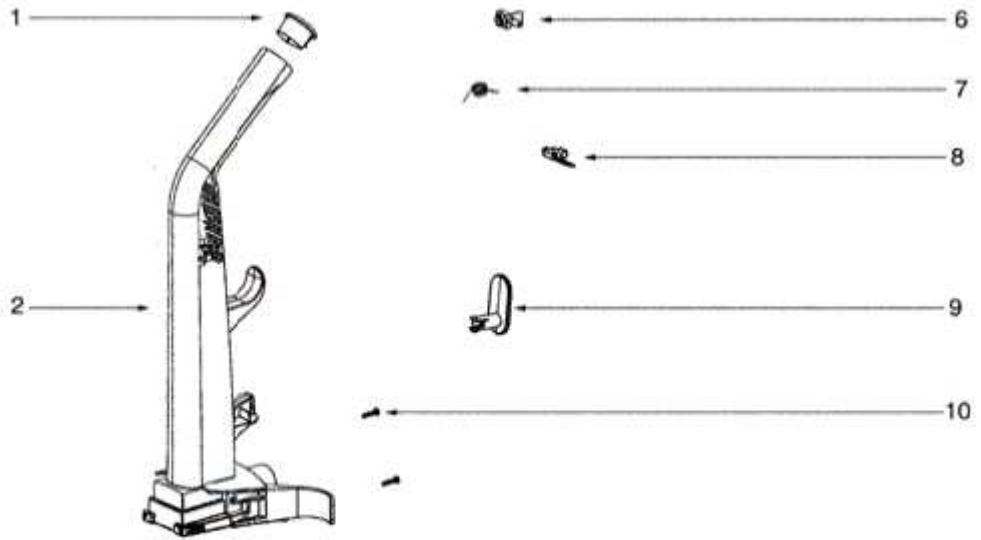
Eureka 2901A Owner's Manual

[Shop genuine replacement parts for Eureka 2901A](#)

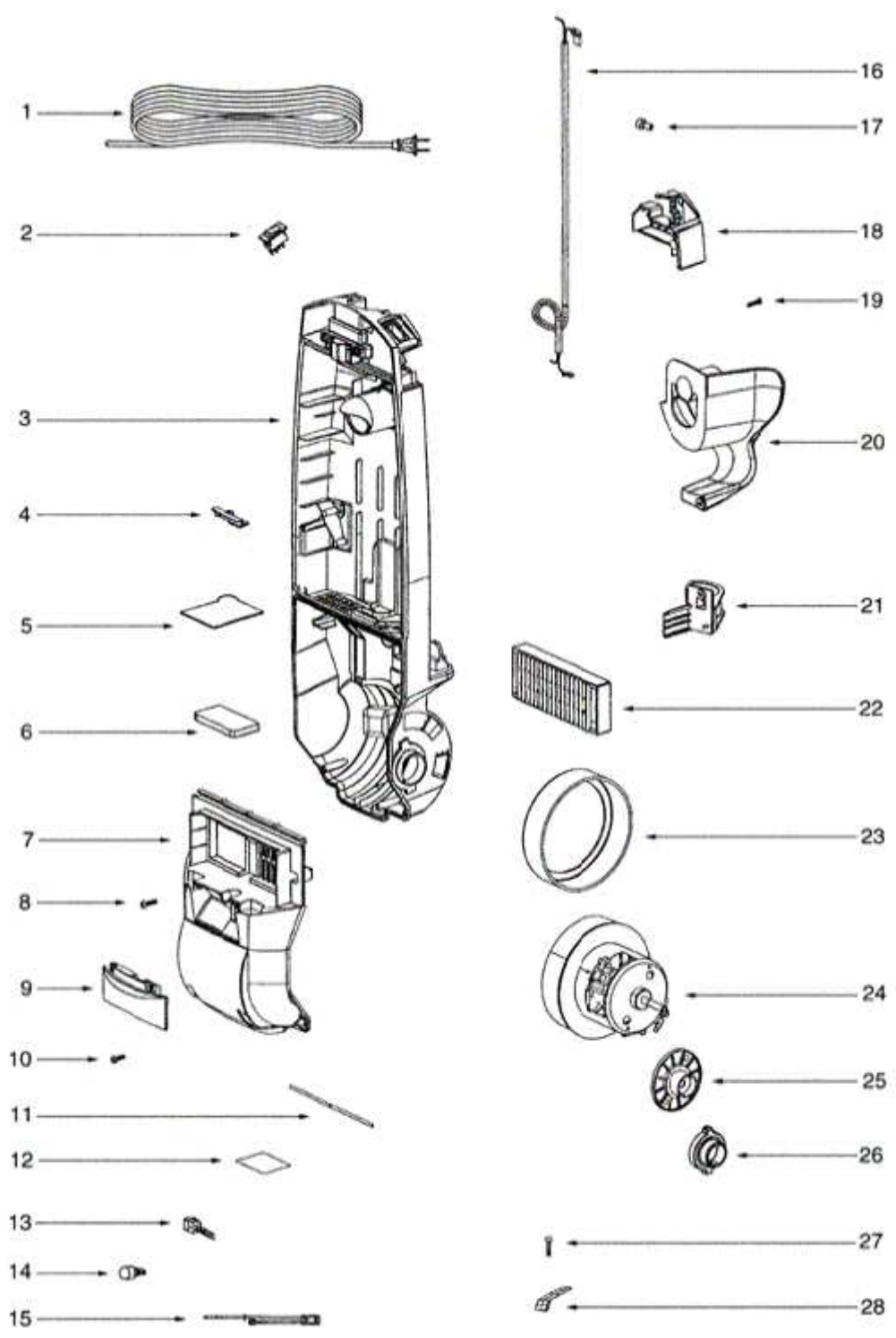


[Find Your Eureka Vacuum Cleaner Parts - Select From 853 Models](#)

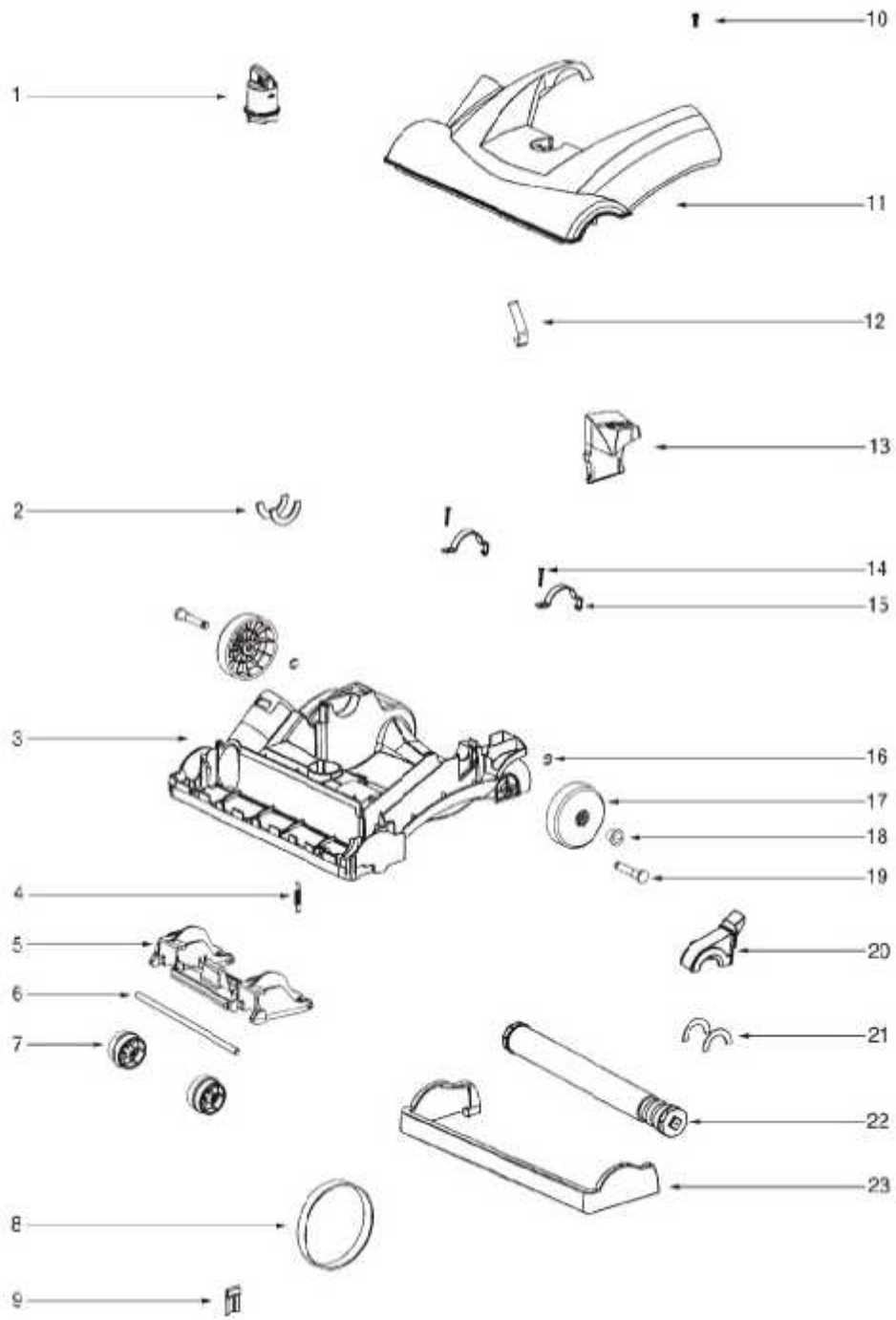
----- Manual continues below -----



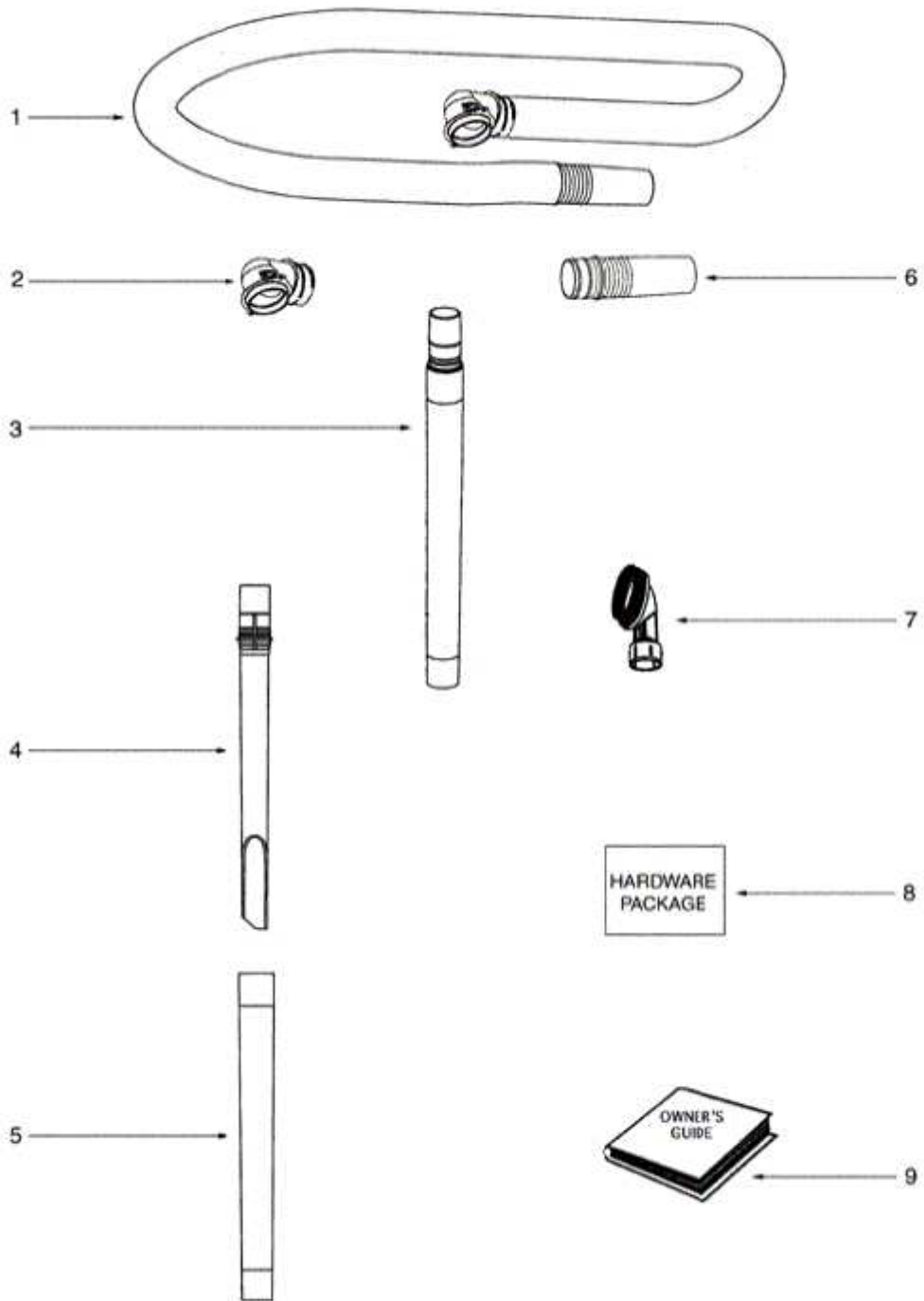
| Ref # | Part | Description | Comments | Qty |
|-------|-------------|---------------------------|----------|-----|
| 1 | 72221-355N | CAP - HANDLE | | |
| 2 | 73291 | UPPER HANDLE ASSEMBLY | | |
| 3 | 72658-355N | CLIP - WAND | | |
| 4 | 73002-1 | GASKET | | |
| 5 | 62076-2 | BAG CVR & GRPHCS ASSY - P | | |
| 6 | 72539-355N | BRACKET - BAG-IN-PLACE | | |
| 7 | 72455 | SPRING - BAG-IN-PLACE | | |
| 8 | 72454-355N | LEVER - BAG-IN-PLACE | | |
| 9 | 70864A-355N | HOOK - CORD | | |
| 10 | 53238-46 | SCREW PACKAGE | | |
| 11 | 61515A | PAPER BAG PACKAGE - STYLE | | |



| Ref # | Part | Description | Comments | Qty |
|-------|------------|---------------------------|----------|-----|
| 1 | 39585-9 | SUPPLY CORD & TERMINAL AS | | |
| 2 | 39455-1 | SWITCH - ROCKER | | |
| 3 | 73547 | REAR HOUSING ASSY | | |
| 4 | 73117-355N | CLIP - FILTER | | |
| 5 | 73225 | SHIELD - WIRING | | |
| 6 | 72469 | FILTER | | |
| 7 | 62074-2 | MOTOR COVER - PACKAGED | | |
| 9 | 72468-313N | LENS | | |
| 10 | 54669-2 | SCREW PACKAGE | | |
| 11 | 72522-1 | GASKET - MOTOR COVER | | |
| 13 | 38828B-5 | HEADLIGHT ASSEMBLY | | |
| 14 | 57940-2 | LAMP - HEADLIGHT | | |
| 15 | 61663 | THERMOSTAT & TERMINAL ASS | | |
| 16 | 73001 | CORD & TERMINAL ASSY | | |
| 17 | 60192-1 | WIRE SPLICE 5 | | |
| 18 | 72456-355N | COVER - SWITCH | | |
| 19 | 53238-27 | SCREW PACKAGE | | |
| 20 | 72463-355N | HOSE HOLDER - LOWER | | |
| 21 | 72636-355N | HOOK - HOSE | | |
| 22 | 61850 | HEPA FILTER PKG - STYLE H | | |
| 23 | 72476-119N | GASKET - MOTOR CAN | | |
| 24 | 62075-1 | MOTOR ASSEMBLY - CTND | | |
| 25 | 72434-119N | MOTOR ASSEMBLY - CTND | | |
| 26 | 72650-119N | BUSHING - MOTOR | | |
| 27 | 62082 | SCREW PACKAGE | | |
| 28 | 73526 | SHIELD - MOTOR | | |
| | 61630 | HANDLE RELEASE PEDAL | | |
| | 70004 | | | |
| | 51108A-10 | RIVET PACKAGE | | |



| Ref # | Part | Description | Comments | Qty |
|-------|------------|---------------------------|---|-----|
| 1 | 72472-355N | KNOB - HEIGHT ADJUSTMENT | | |
| 2 | 73114 | FELT - BASE | | |
| 3 | 62072-1 | BASE ASSEMBLY - PACKAGED | Includes items 1,2,4,5,6,7,9,12,13,16,17,18 & 19 | |
| 4 | 54943 | SPRING PACKAGE | Pkg. of 10 | |
| 5 | 72521-119N | WHEEL CARRIAGE | | |
| 6 | 71478 | AXLE - FRONT | | |
| 7 | 39173-119N | WHEEL - FRONT | | |
| 8 | 61120A | BELT PKG ASSY-(U-EXTENDED | Pkg. of 2 | |
| 9 | 38063 | GUARD - BELT | | |
| 10 | 54669-2 | SCREW PACKAGE | Pkg. of 10 | |
| 11 | 62073-2 | HOOD ASSEMBLY - PACKAGED | | |
| 12 | 71574 | SPRING - HANDLE RELEASE | | |
| 13 | 72473-355N | HANDLE RELEASE | | |
| 14 | 53238-27 | SCREW PACKAGE | Pkg. of 10 | |
| 15 | 71487 | CLAMP - MOTOR | | |
| 16 | 54432-1 | PACKAGE - RETAINING RING | Pkg. of 10 | |
| 17 | 72117-119N | WHEEL - REAR | | |
| 18 | 72113-1 | BUSHING - AXLE | | |
| 19 | 38590A | AXLE - REAR | | |
| 20 | 73289 | BELT CAP ASSEMBLY | Includes item 21 | |
| 21 | 73114 | FELT - BASE | | |
| 22 | 60251-3 | 12" DISTURBULATOR ASSY - | | |
| 23 | 72474-355N | FURNITURE GUARD | | |



| Ref # | Part | Description | Comments | Qty |
|-------|-------------|---------------------------|----------|-----|
| 1 | 62071-1 | HOSE ASSY | | |
| 2 | 72459-313N | ADAPTER - HOSE | | |
| 3 | 71492A | NESTING WAND ASSEMBLY | | |
| 4 | 71956A-355N | WAND - CREVICE | | |
| 5 | 71973-119N | WAND - OUTER | | |
| 6 | 28472A-355N | COUPLING - HOSE | | |
| 7 | 60990-2 | COMBINATION BRSH BRSTLD-C | | |
| 8 | 73012 | PACKAGE - HARDWARE | | |
| 9 | 73286 | | | |