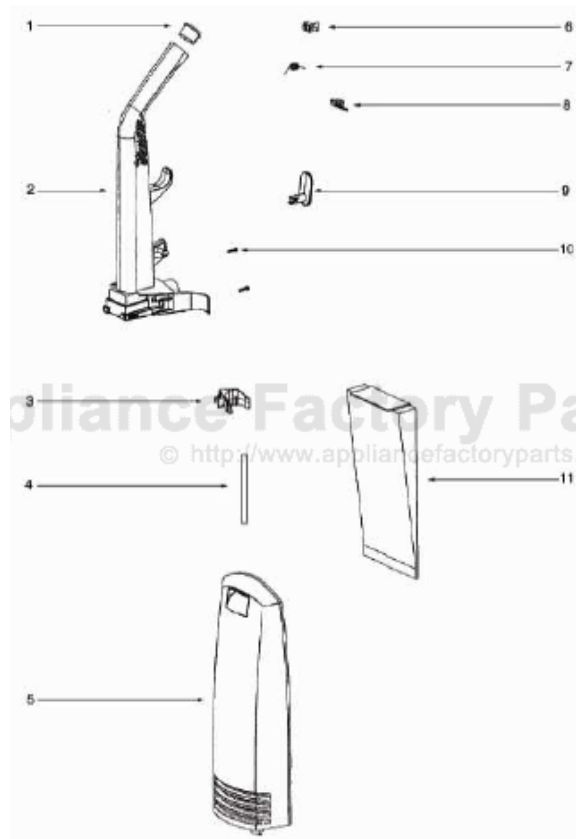


This Owner's Manual is provided and hosted by [Appliance Factory Parts](http://www.appliancefactoryparts.com).



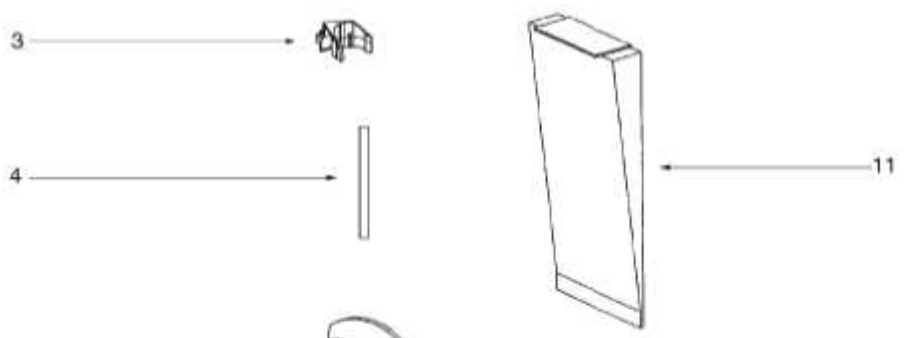
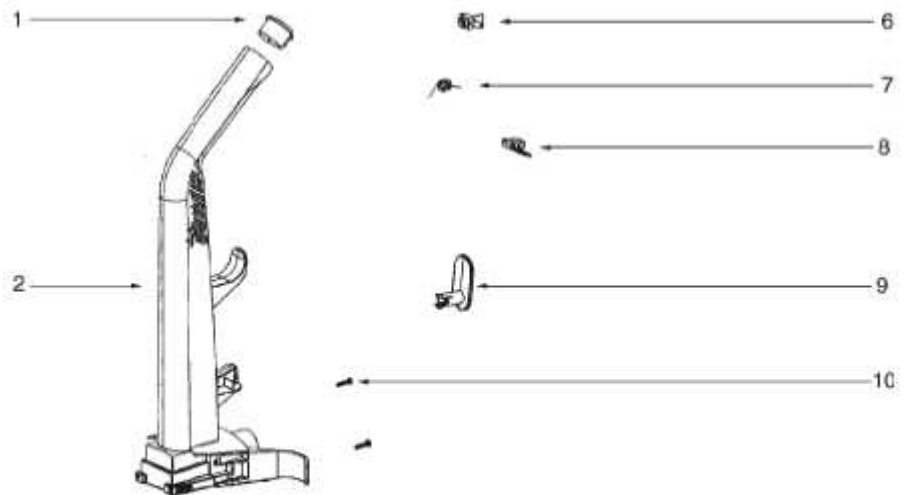
Eureka 2926AV Owner's Manual

[Shop genuine replacement parts for Eureka 2926AV](#)

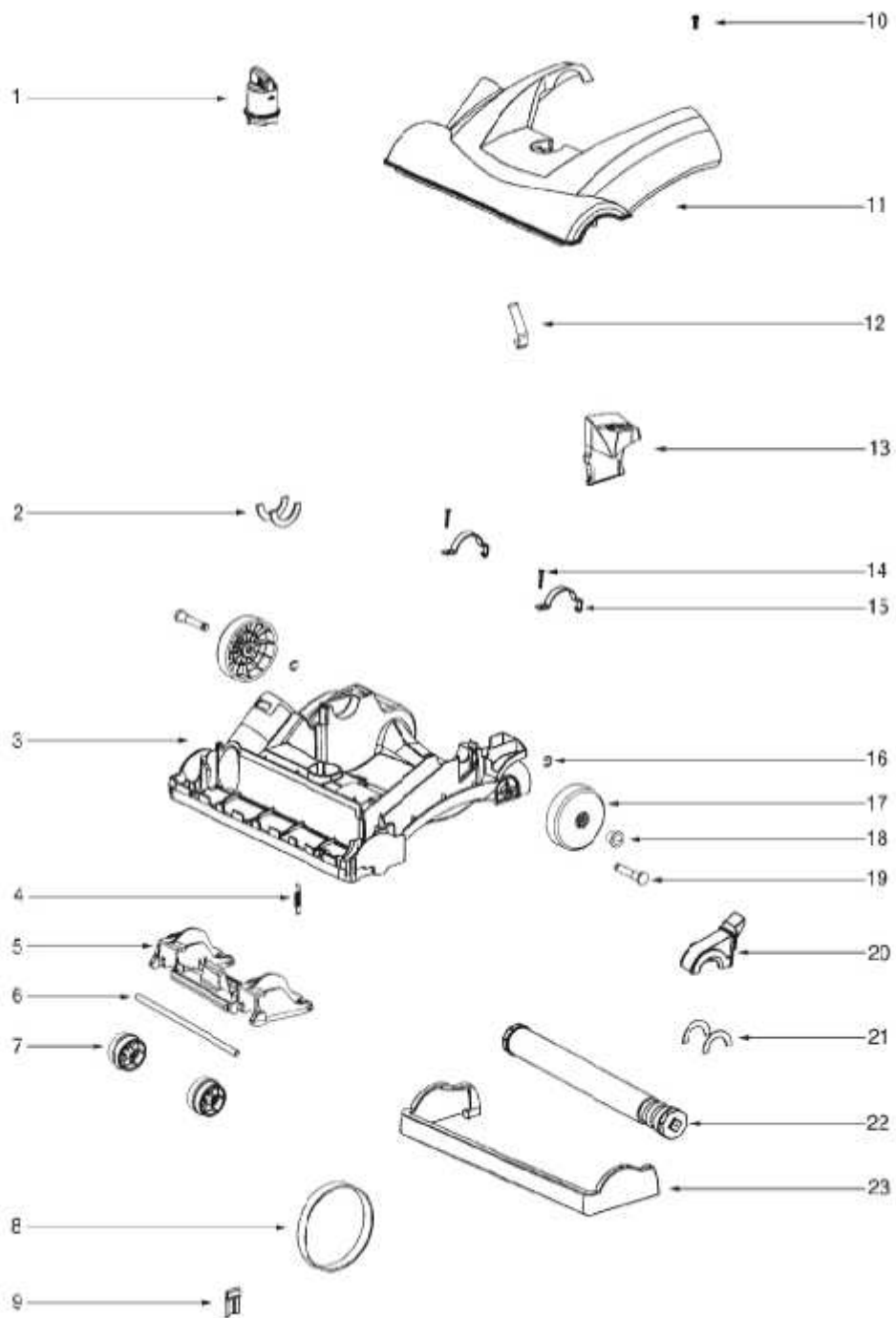


[Find Your Eureka Vacuum Cleaner Parts - Select From 853 Models](#)

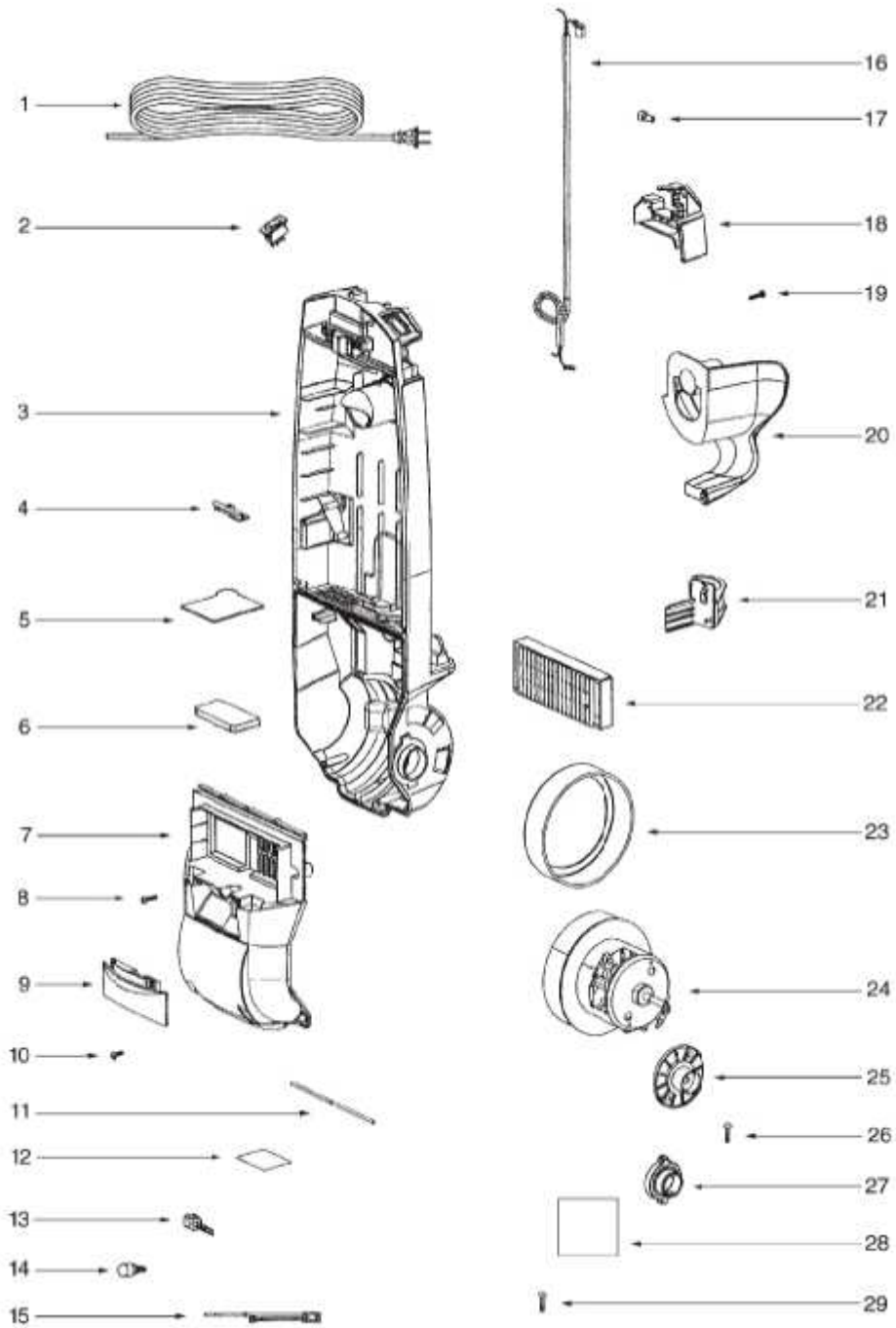
----- Manual continues below -----



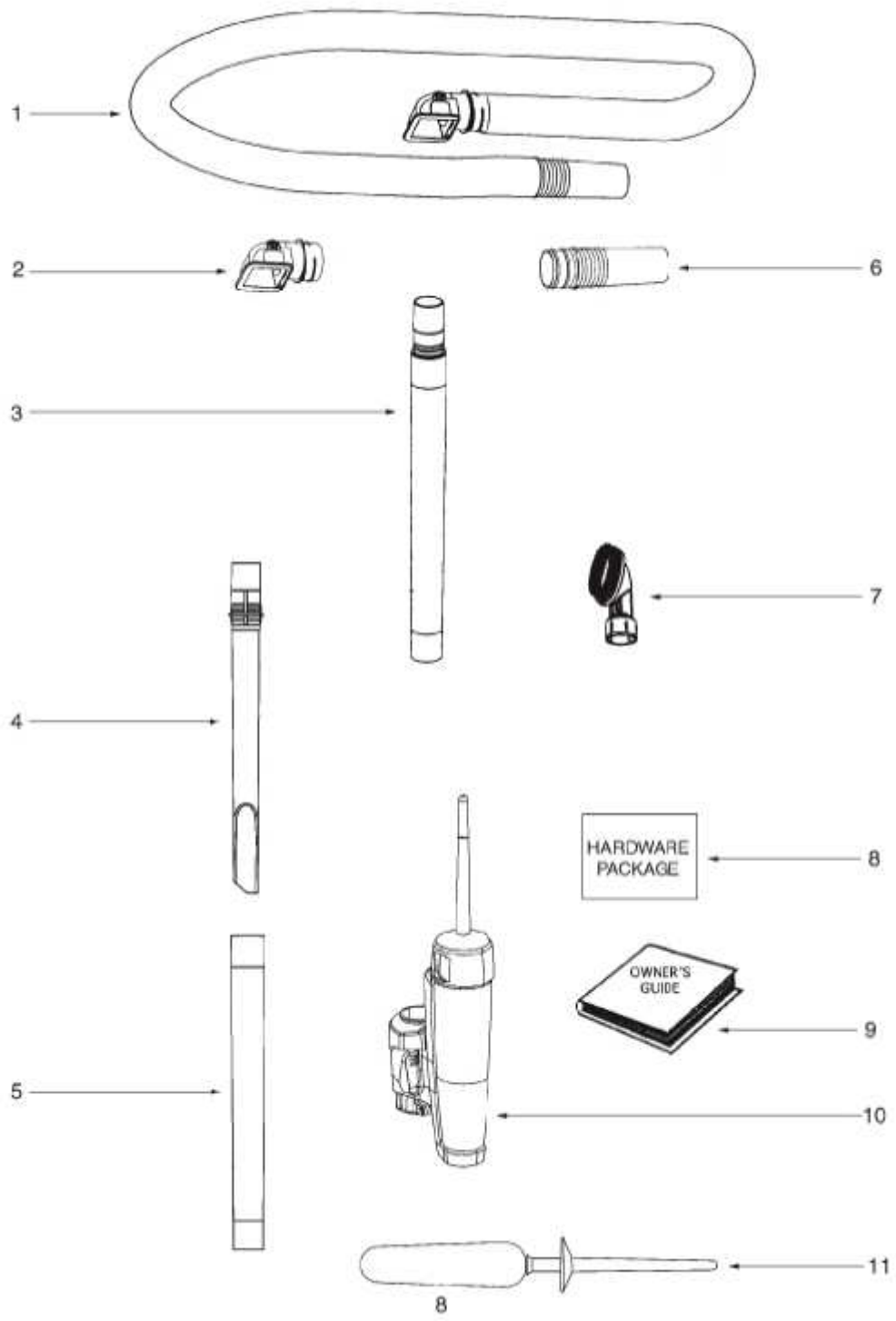
Ref #	Part	Description	Comments	Qty
1	72221-355N	CAP - HANDLE		
2	73448	UPPER HANDLE ASSEMBLY (DU	Includes items 1 & 9	
3	72658-355N	CLIP - WAND		
4	73002-1	GASKET		
5	62076-1	BAG CVR & GRPHCS ASSY - P		
6	72539-355N	BRACKET - BAG-IN-PLACE		
7	72455	SPRING - BAG-IN-PLACE		
8	72454-355N	LEVER - BAG-IN-PLACE		
9	39977-355N	HOOK - CORD		
10	53238-46	SCREW PACKAGE	pkg of 10	
11	61515A	PAPER BAG PACKAGE - STYLE	pkg of 3	



Ref #	Part	Description	Comments	Qty
1	72472-355N	KNOB - HEIGHT ADJUSTMENT		
2	73114	FELT - BASE		
3	62090-1	BASE ASSEMBLY - PACKAGED	Includes items 1,2,4,5,6,7,9,12,13,16,17,18 & 19	
4	54943	SPRING PACKAGE		
5	72521-119N	WHEEL CARRIAGE		
6	71478	AXLE - FRONT		
7	39173A-119N	WHEEL - FRONT		
8	61120A	BELT PKG ASSY-STYLE U EXT		
9	38063	GUARD - BELT		
10	54669-2	SCREW PACKAGE		
11	62091-2	HOOD ASSEMBLY - PACKAGED		
12	71574	SPRING - HANDLE RELEASE		
13	72473-355N	HANDLE RELEASE		
14	53238-27	SCREW PACKAGE		
15	71487	CLAMP - MOTOR		
16	54432-2	PACKAGE - RETAINING RING		
17	72117-119N	WHEEL - REAR		
18	72113-1	BUSHING - AXLE		
19	38590A	AXLE - REAR		
20	73289	BELT CAP ASSEMBLY	Includes item 21	
21	73114	FELT - BASE		
22	62228-3	BRUSHROLL ASSEMBLY - CART		
23	73150-355N	FURNITURE GUARD		



Ref #	Part	Description	Comments	Qty
1	39585-9	SUPPLY CORD & TERMINAL AS		
2	39455-1	SWITCH - ROCKER		
3	73547A	REAR HOUSING ASSY		
4	73117-355N	CLIP - FILTER		
5	73225	SHIELD - WIRING		
6	72469	FILTER		
7	62074-1	MOTOR COVER - PACKAGED		
8	53238-27	SCREW PACKAGE	pkg of 10	
9	72468-313N	LENS		
10	54669-2	SCREW PACKAGE	pkg of 10	
11	72522-1	GASKET - MOTOR COVER		
12			Sold only on motor cover.	
13	38828B-5	HEADLIGHT ASSEMBLY		
14	57940-3	LAMP - HEADLIGHT		
15	61663	THERMOSTAT & TERMINAL ASS		
16	73001	CORD & TERMINAL ASSY		
17	60192-1	WIRE SPLICE 5	pkg of 5	
18	72456-355N	COVER - SWITCH		
19	53238-27	SCREW PACKAGE	pkg of 10	
20	72463-355N	HOSE HOLDER - LOWER		
21			Not on this model.	
22	61850	HEPA FILTER PKG - STYLE H		
23	72476-119N	GASKET - MOTOR CAN		
24	62075-1	MOTOR ASSEMBLY - CTND		
25	72434-119N	MOTOR ASSEMBLY - CTND		
26	62082	SCREW PACKAGE	pkg of 10	
27	72650-119N	BUSHING - MOTOR		
28	73526	SHIELD - MOTOR		
29	61803-3	SCREW PACKAGE	pkg of 5	
30	72443	THERMOSTAT CLIP	Not illustrated.	



Ref #	Part	Description	Comments	Qty
1	62293-1	HOSE ASSEMBLY - CARTONED	Includes items 2 & 6	
2	72459-313N	ADAPTER - HOSE		
3	71492A	NESTING WAND ASSEMBLY	Includes items 4 & 5	
4	71956A-355N	WAND - CREVICE		
5	71973-119N	WAND - OUTER		
6	70559A-355N	COUPLING - HOSE		
7	60990-2	COMBINATION BRSH BRSTLD-C		
8	73012	PACKAGE - HARDWARE		
9	73286			
10	72293-6	ELECTROSTATIC DUSTER ASSE	Includes item 11	
11	73594-1	DUSTER ASSEMBLY		